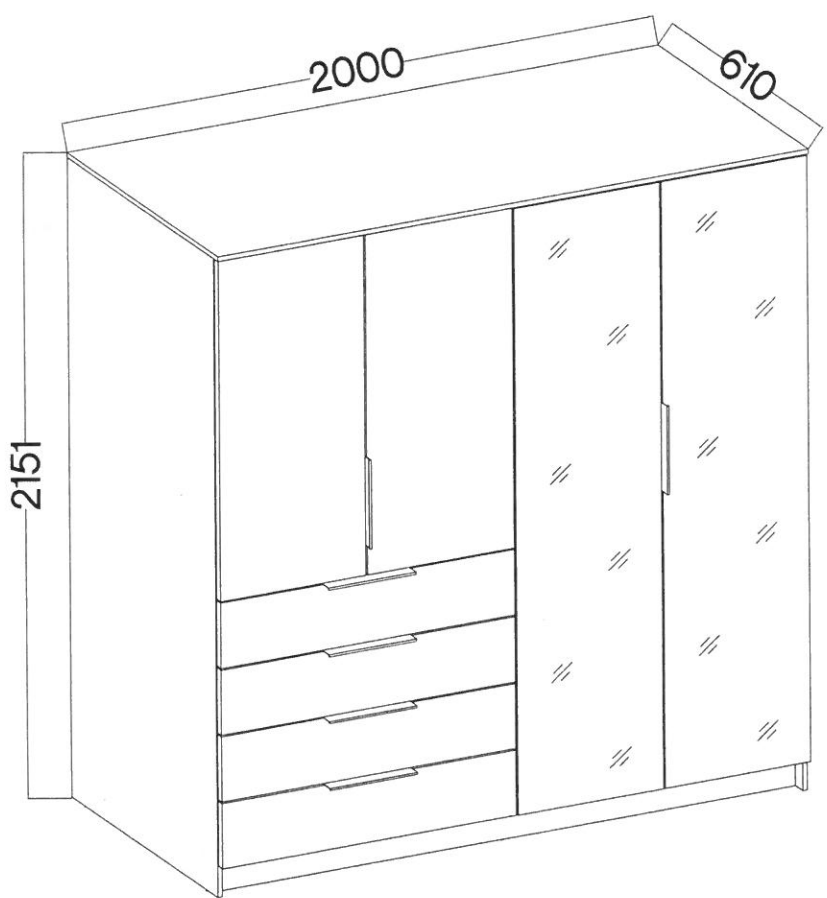
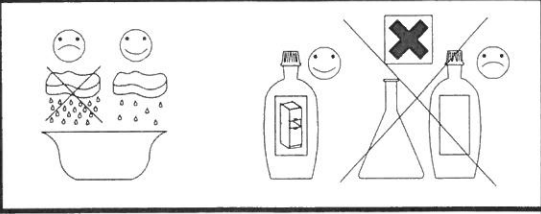
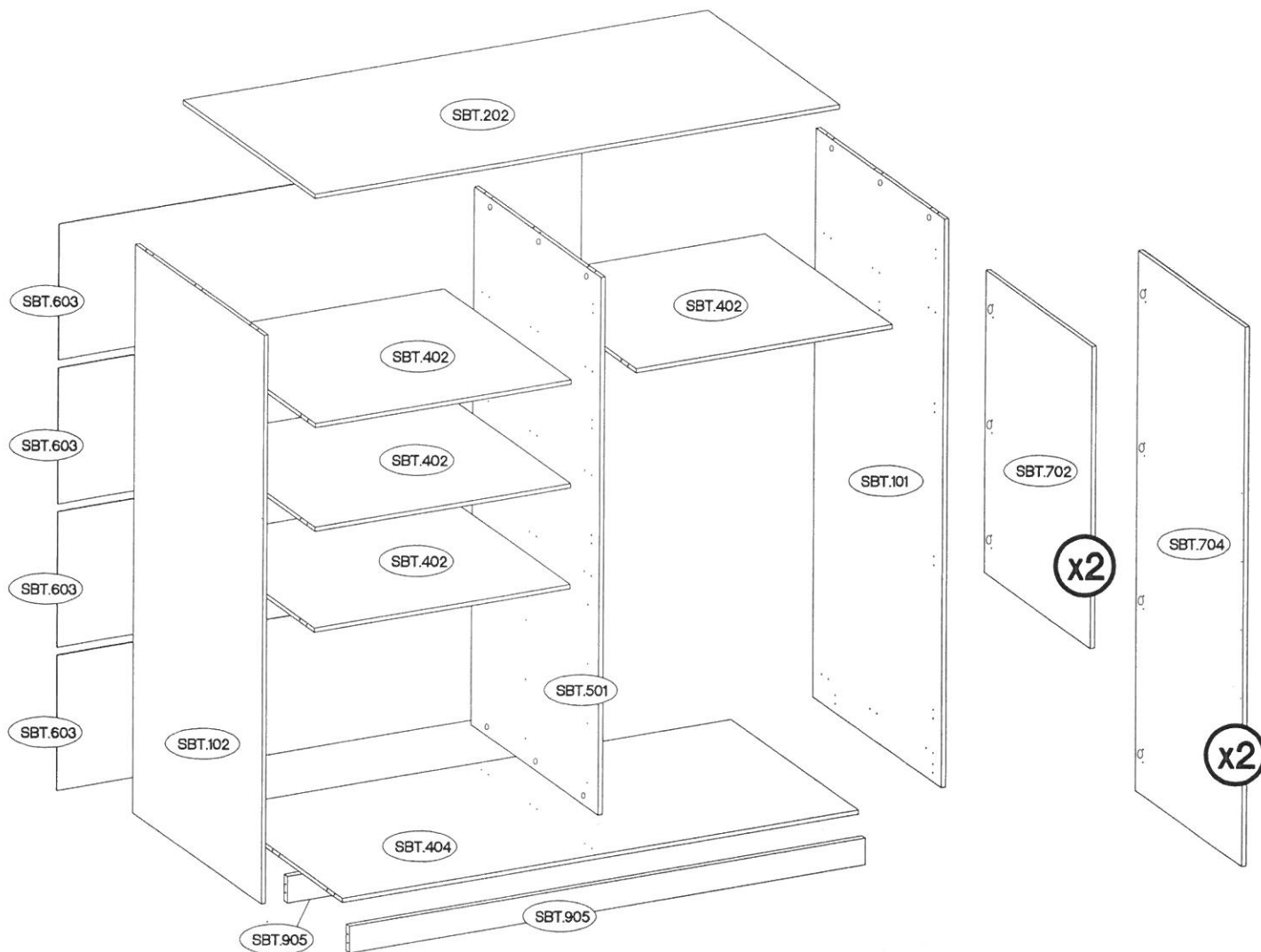






Bogota 200

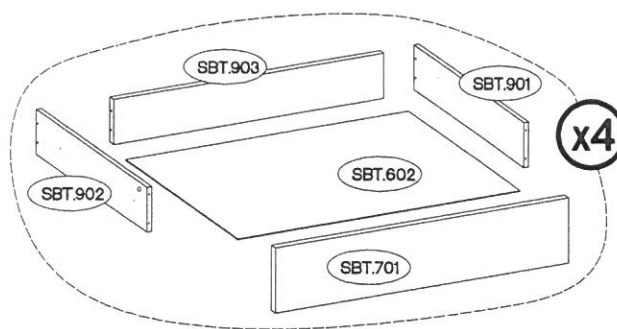


 A2 3	 A6 52	 B 16	 C 50	 D 44						
 D6 3	 E 35	 F4 6	 HG 7	 HG1 7	 I16 4	 J2 1	 J17 2	 K46 4		
 L1 3	 L3 130-135	 L19 1	 M4 16	 O 1	 O7 1	 P1 4	 P5 68	 P12 1	 S 6	 T3 2

ISM-SBT-002



	Nr	[mm]
	SBT.501	2014x588x16
	SBT.404	1966x589x16
	SBT.402 x4	975x587x16
	SBT.905 x2	1966x100x16
	SBT.101	2130x590x16
	SBT.102	2130x590x16
	SBT.202	2000x610x16
	SBT.602 x4	947x458x2,5
	SBT.901 x4	450x150x16
	SBT.902 x4	450x150x16
	SBT.903 x4	917x150x16
	SBT.702 x2	1131x495x16
	SBT.701 x4	218x995x16
	SBT.704 x2	2023x495x16



SBT.404



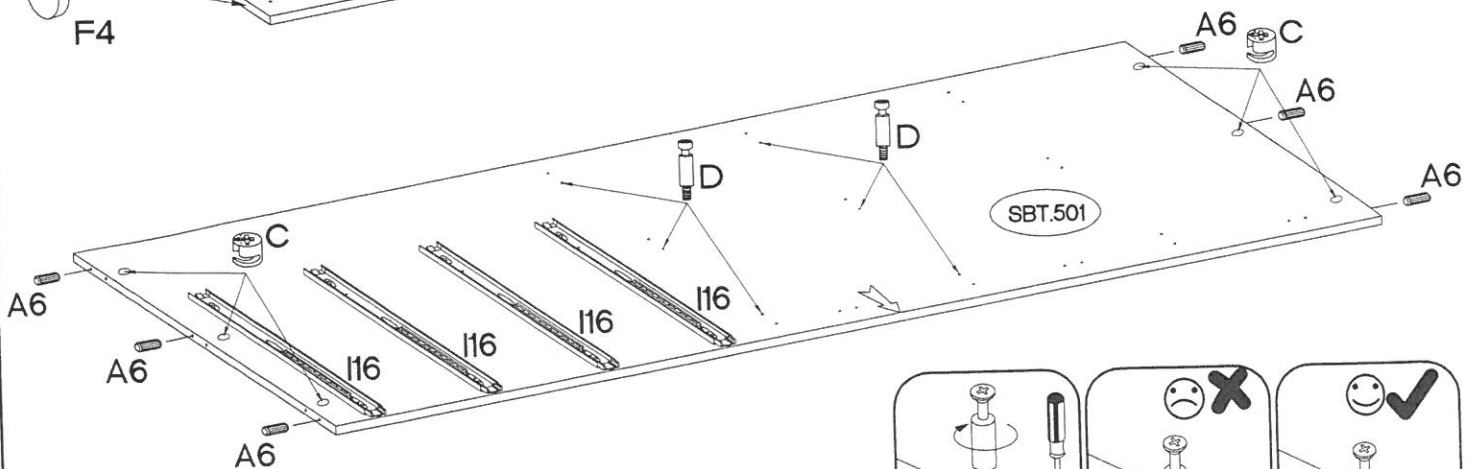
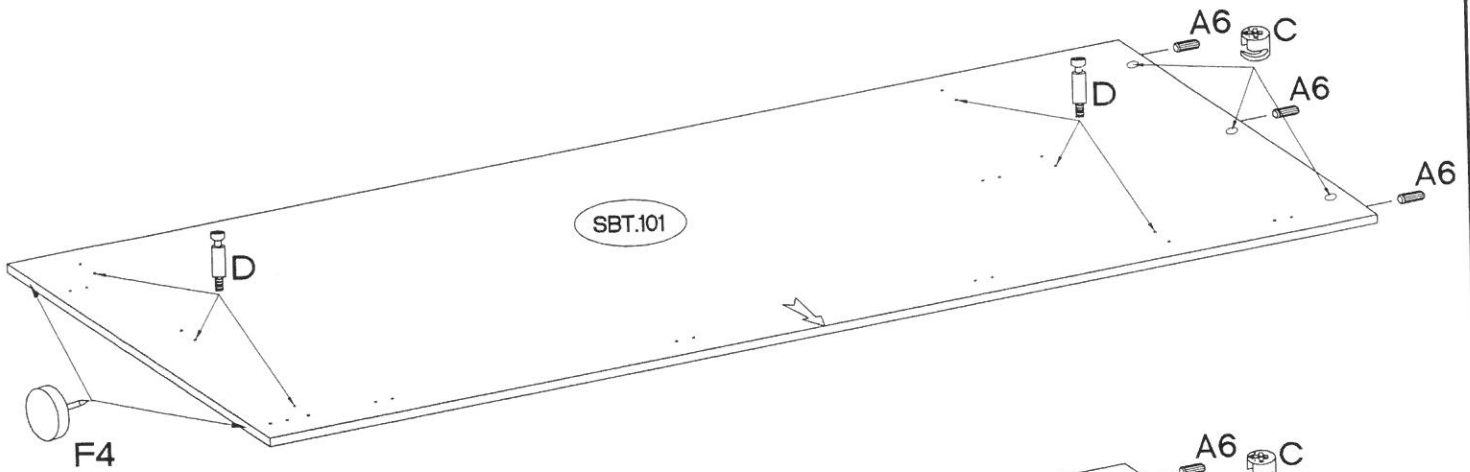
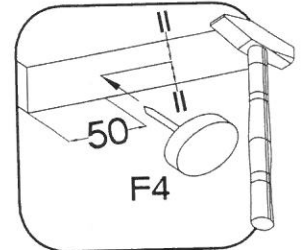
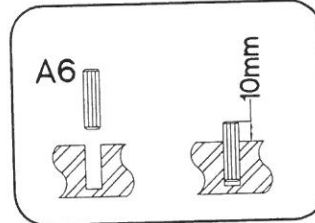
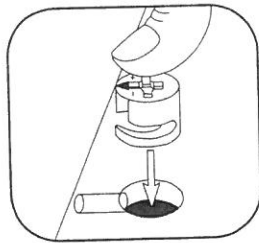
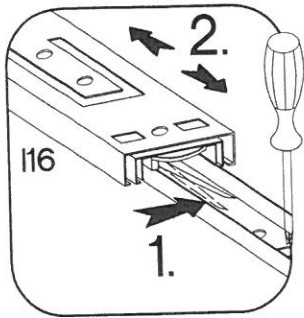
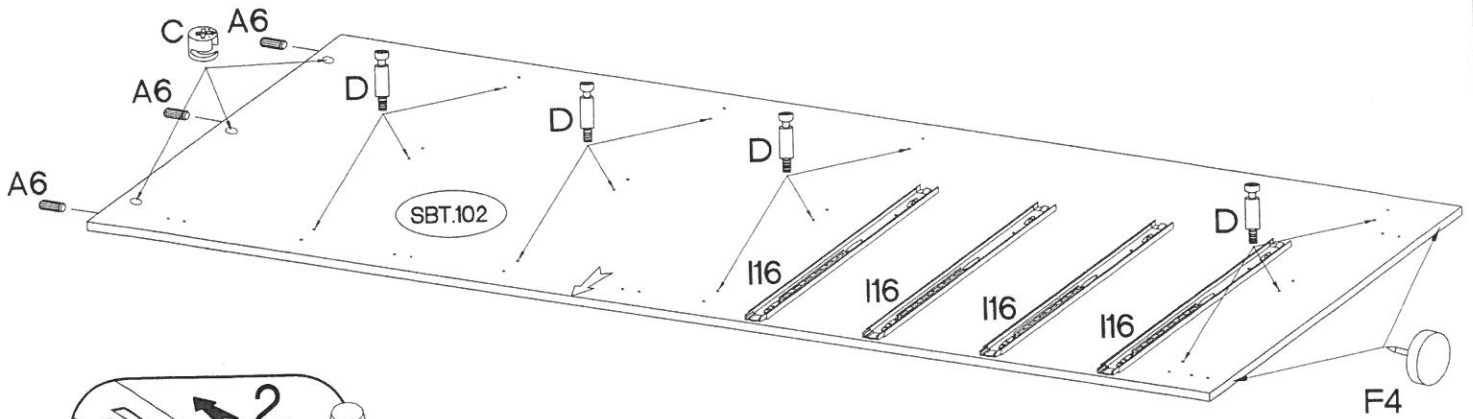
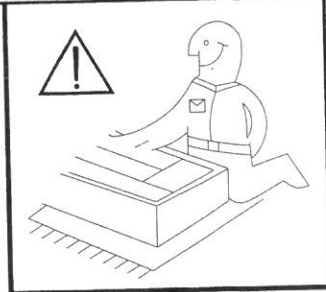
SBT.402




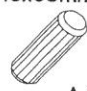


SBT.602

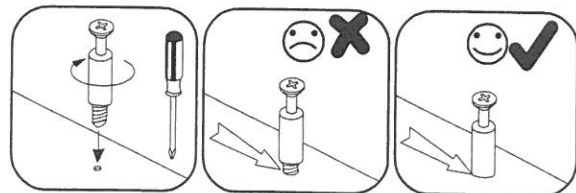
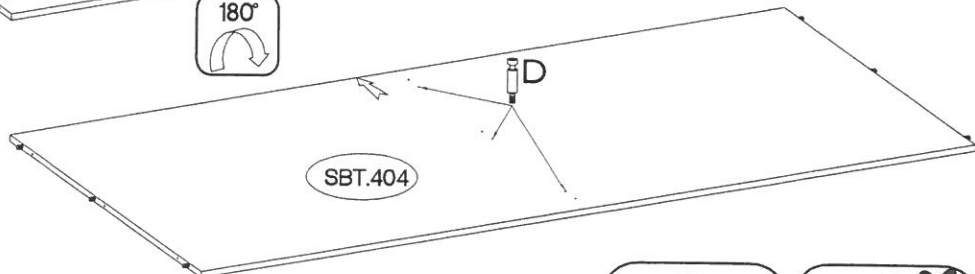
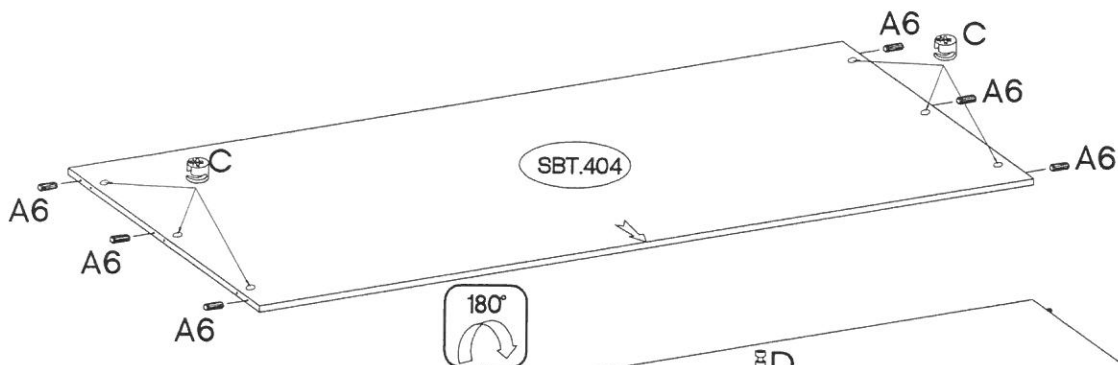
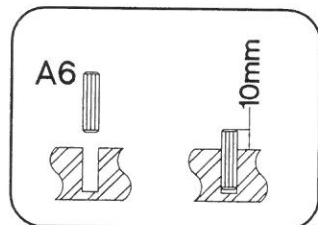
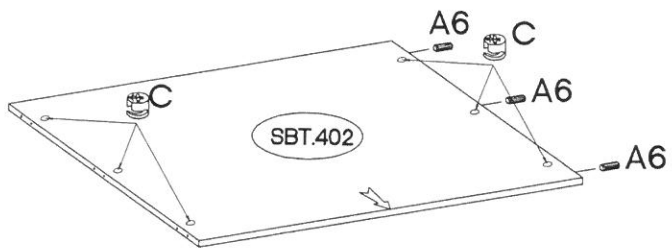
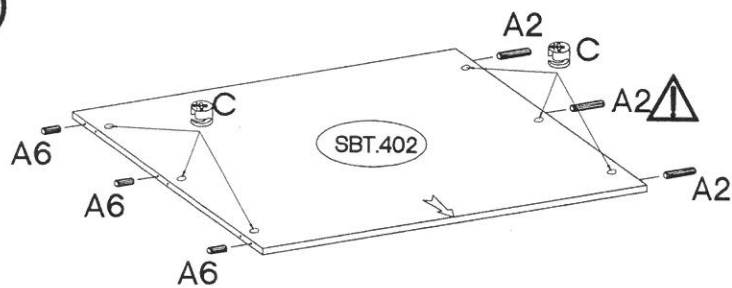
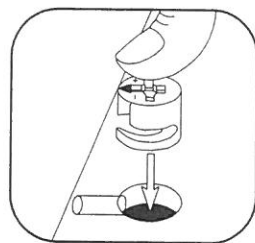
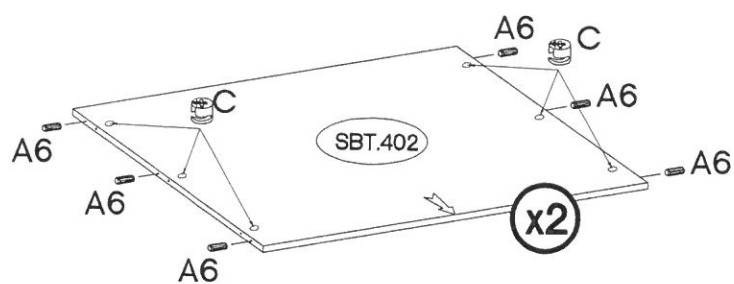
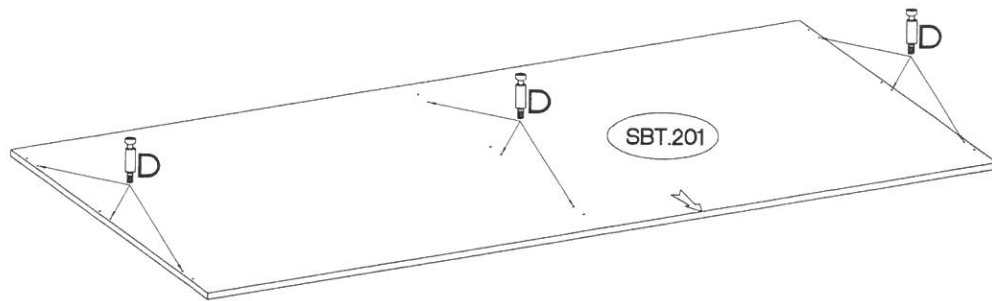
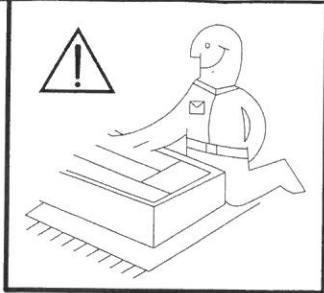
1

±8x35mm A6 12	35/400MM I16 4	±6,3x9,5mm M4 16	L=30mm D 24	±15/12mm C 12	±15x5mm F4 4
---------------------	----------------------	------------------------	-------------------	---------------------	--------------------







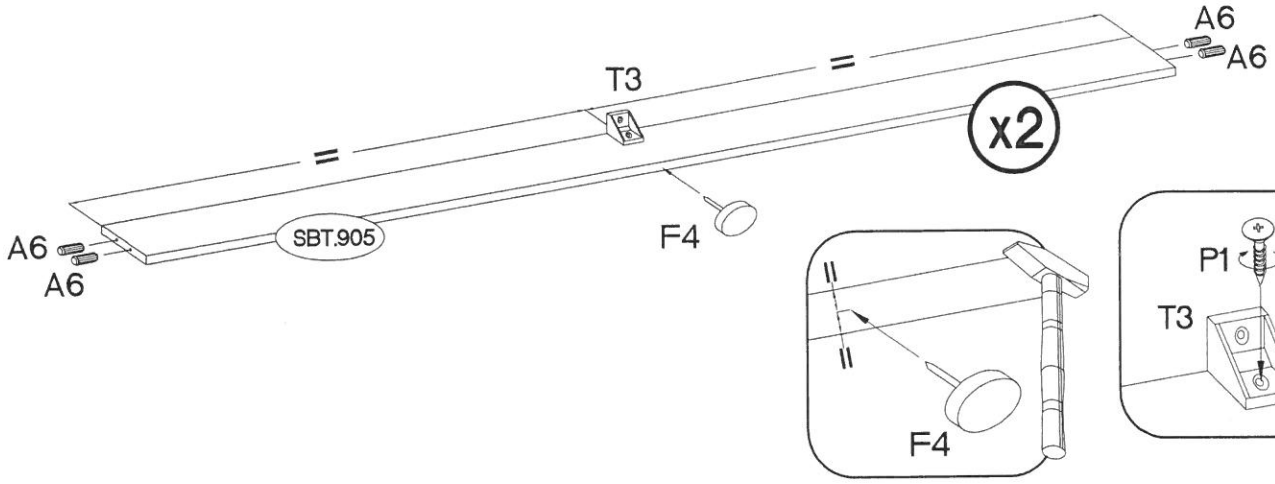
2

†8x35mm	†8x60mm	L=30mm	†15/12mm
			
A6	A2	D	C
24	3	12	30

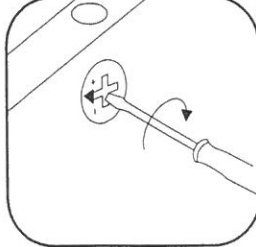
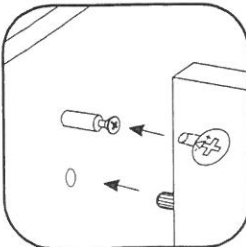
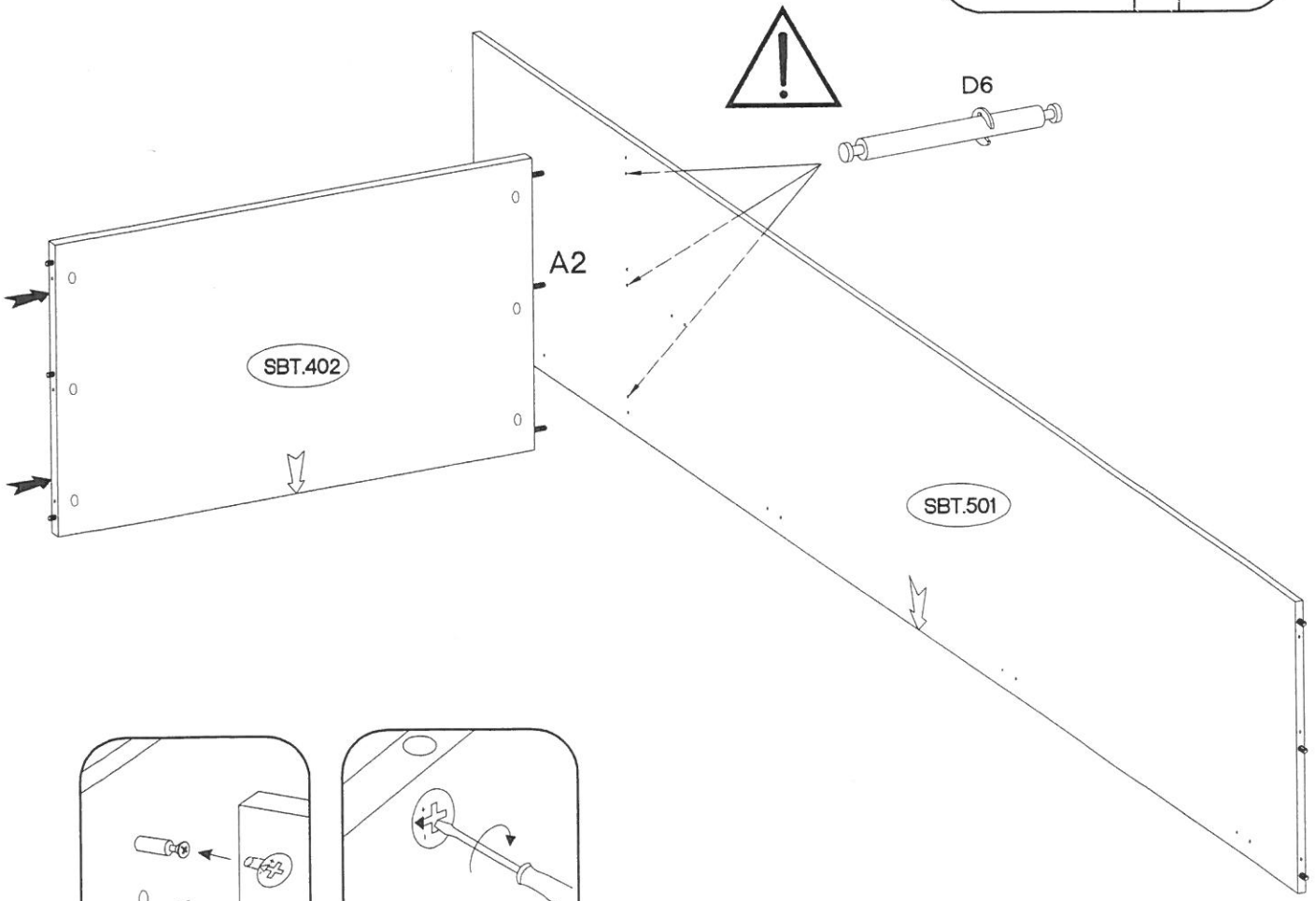
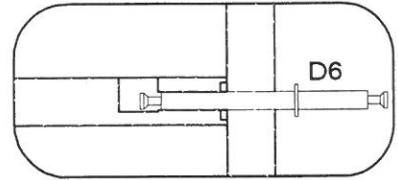


3

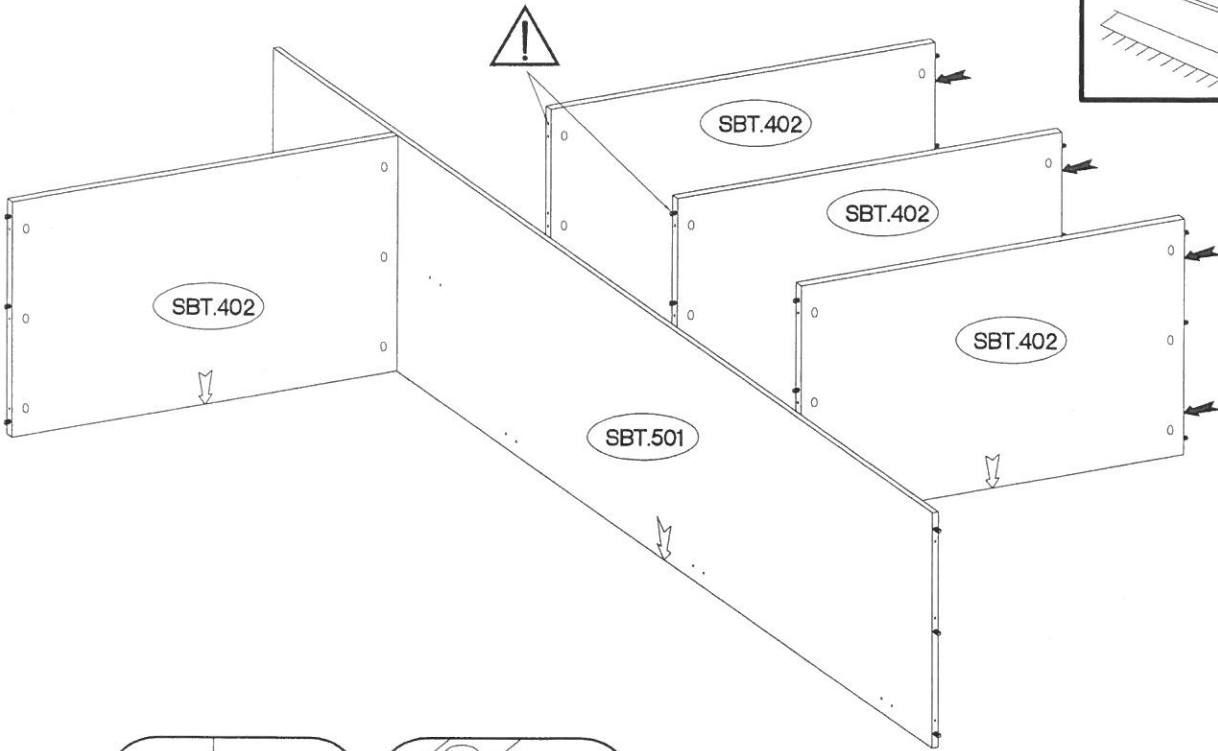
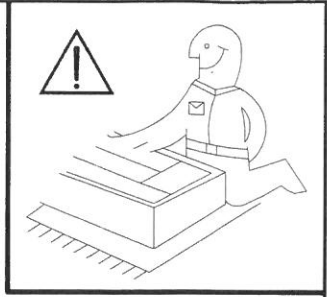
∅8x35mm  A6 8	∅15x5mm  F4 2	 T3 2	∅4.0x16mm  P1 2
---	---	--	---



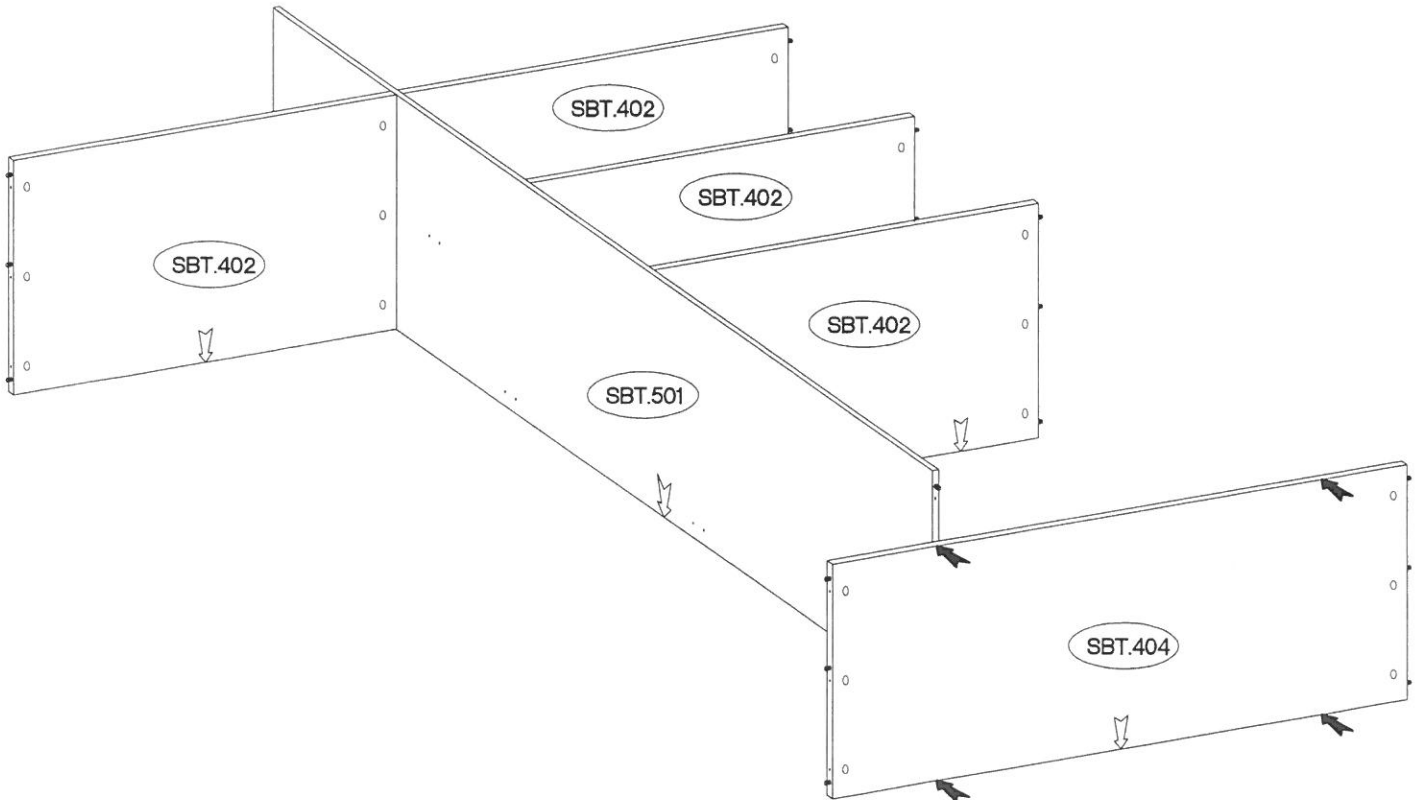
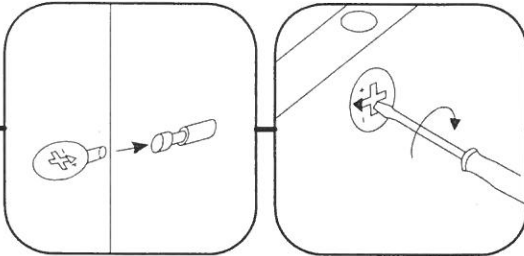
4



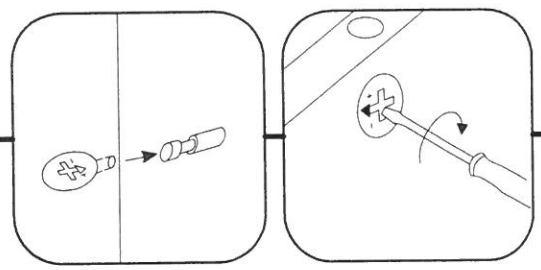
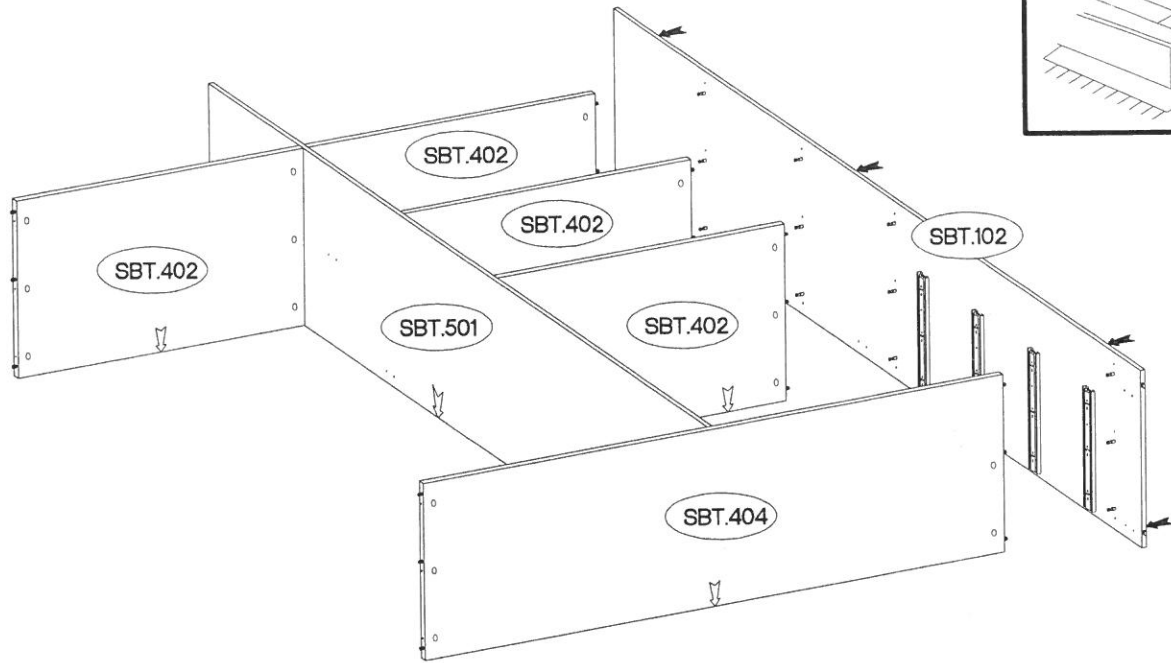
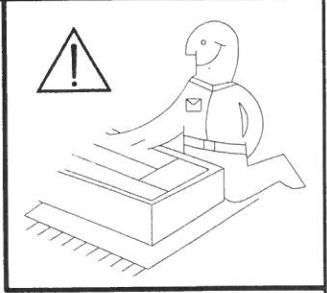
5



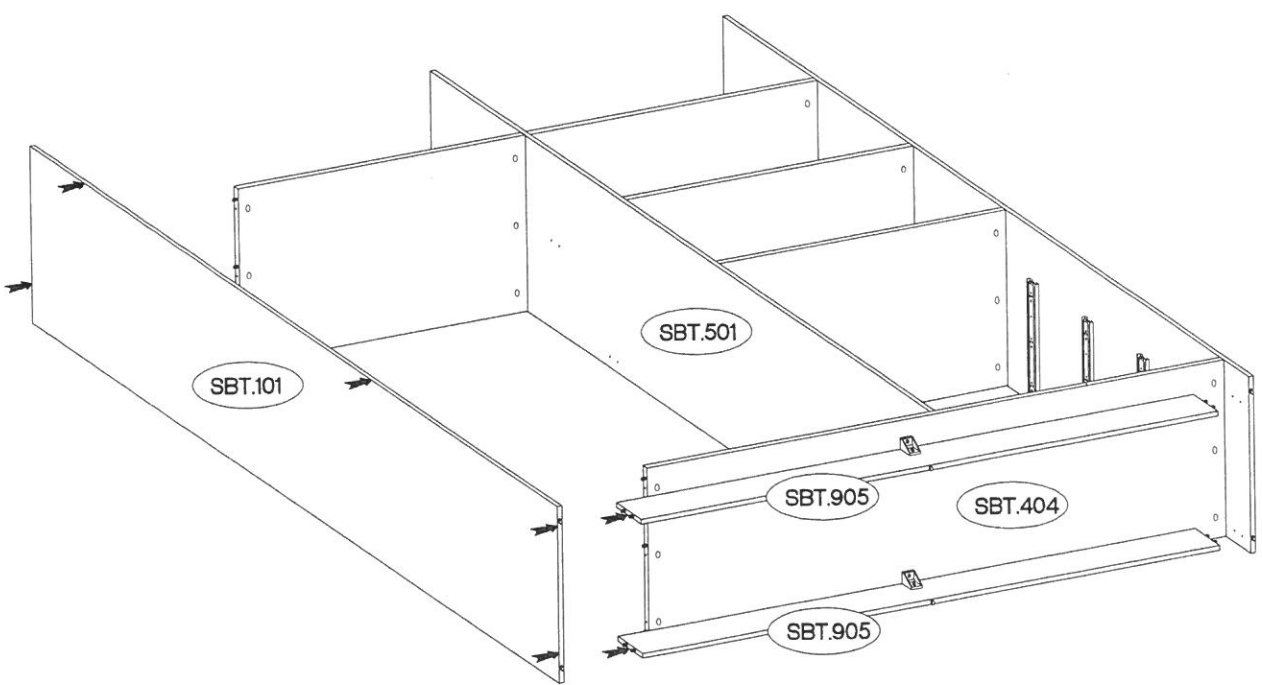
6



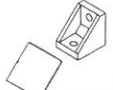

7

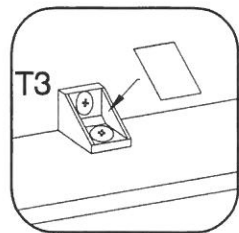
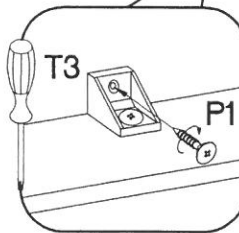
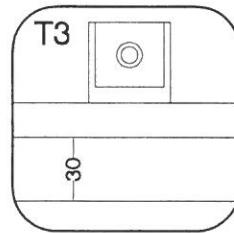
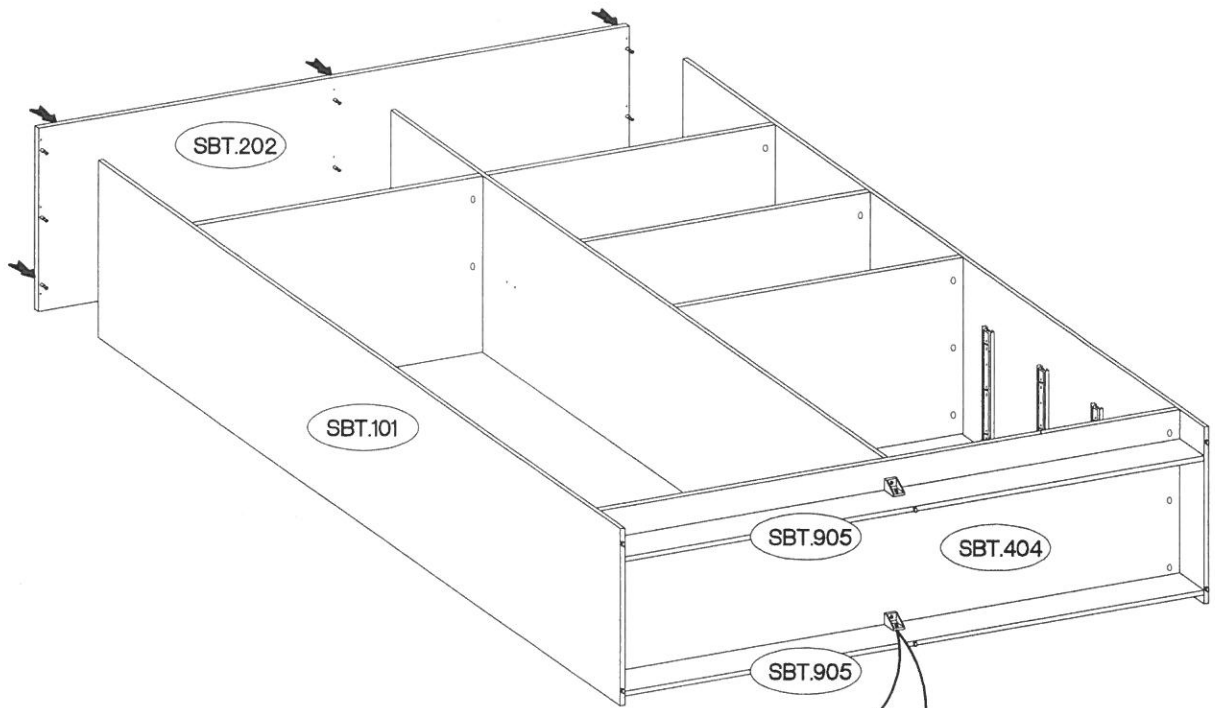
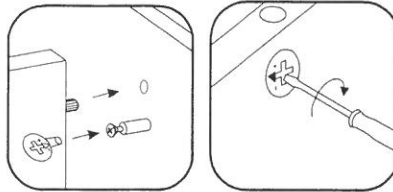
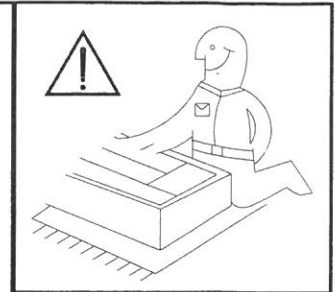


8





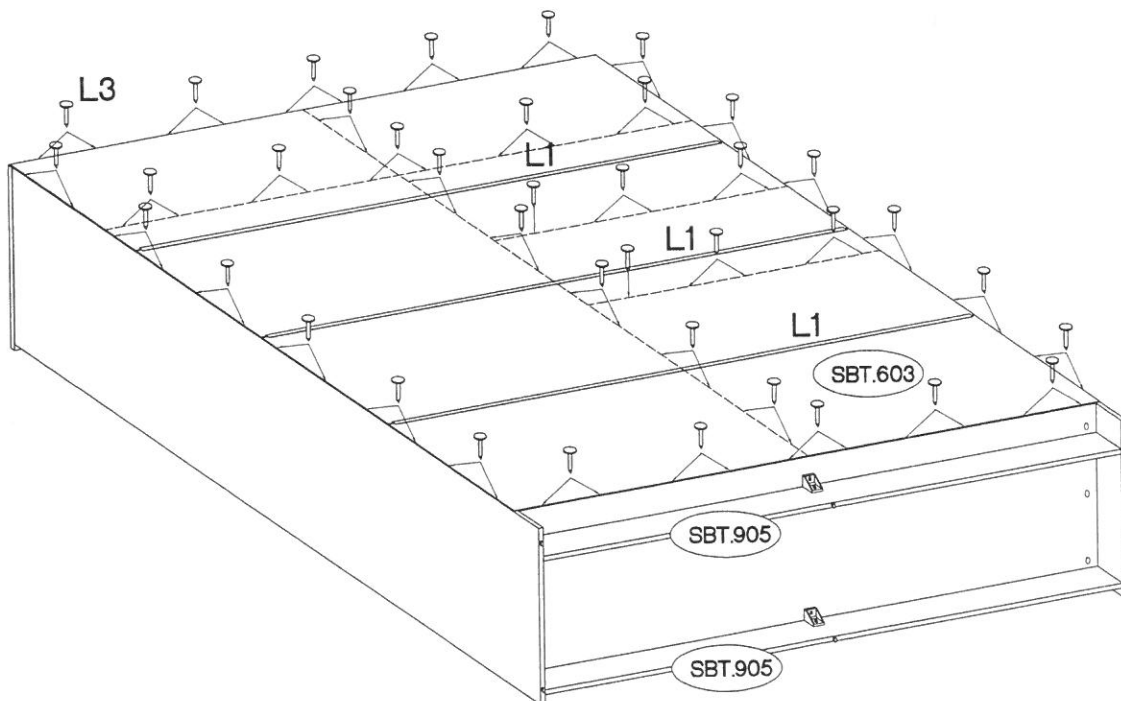
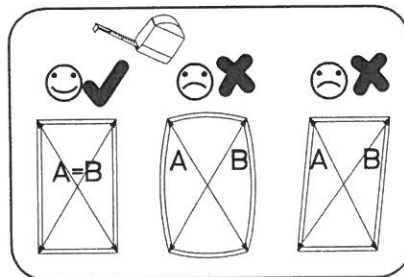
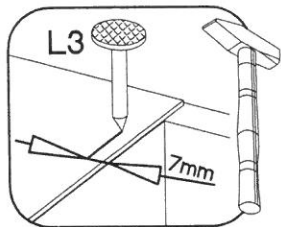
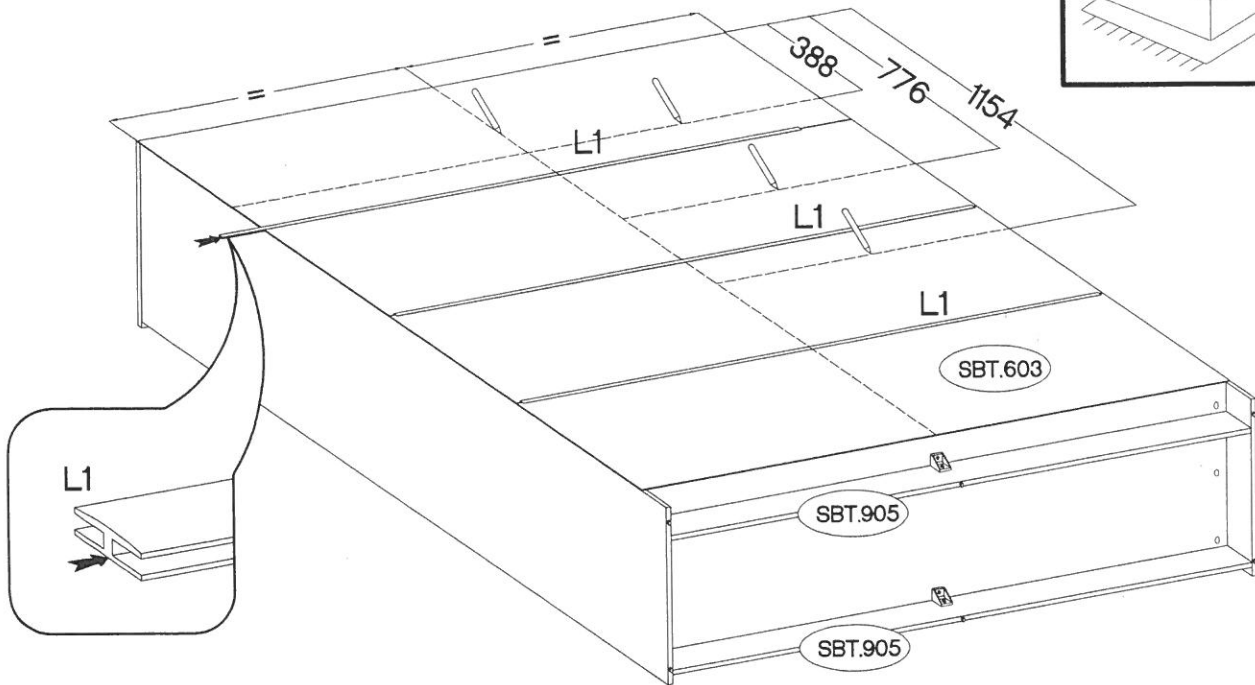
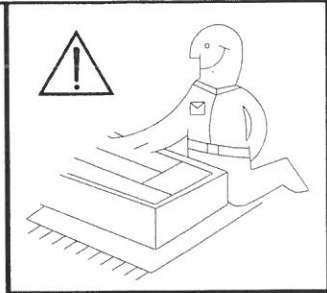
9







	+4.0x16mm 
T3 2	P1 2

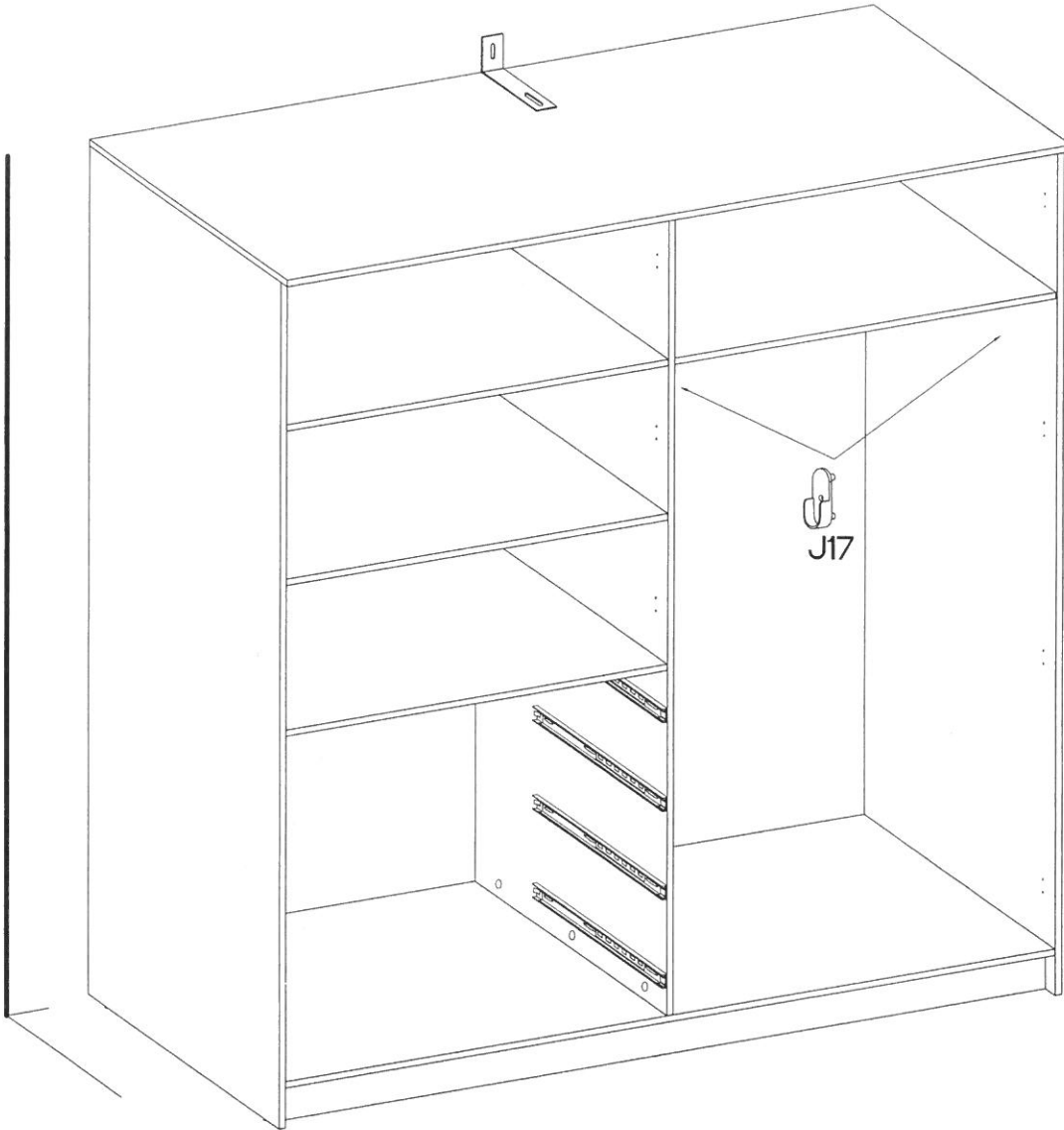
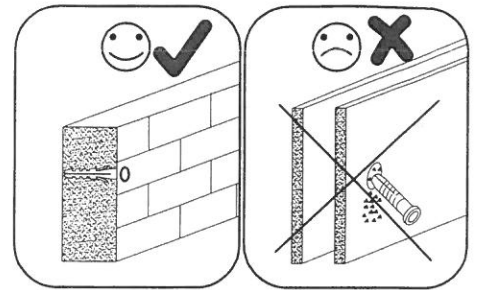


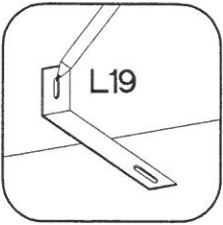
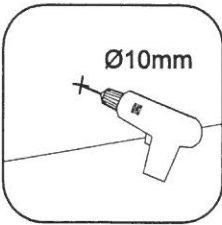
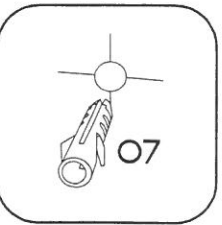
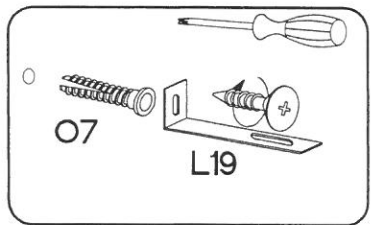
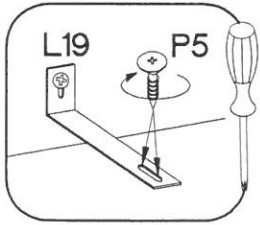
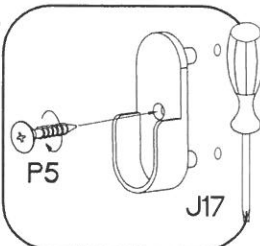
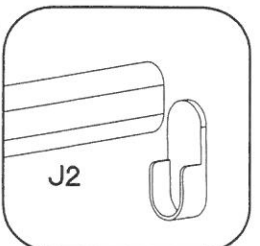
10

L=1965mm		
	L1	L3
	3	75-80

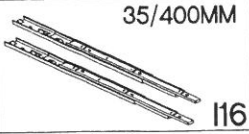


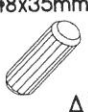


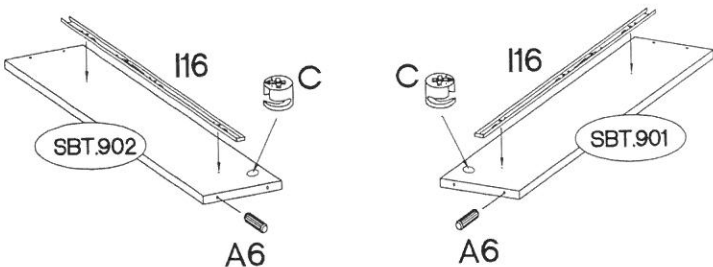
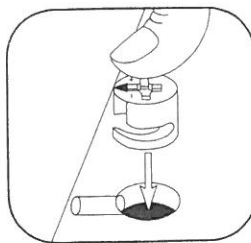
75x30x15mm  L19 1	+3.5x13mm  P5 4	+5.0x60mm  P12 1	+10x50mm  O7 1	L=967mm  J2 1	 J17 2
--	--	---	---	--	--



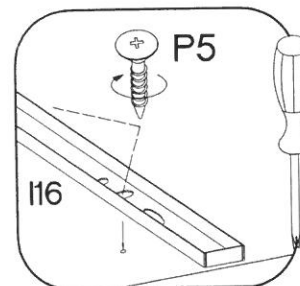
1. 
2. 
3. 
4. 
5. 
6. 
7. 

12




35/400MM  I16 4	+3.5x13mm  P5 16	+15/12mm  C 8	+8x35mm  A6 8
--	--	--	--

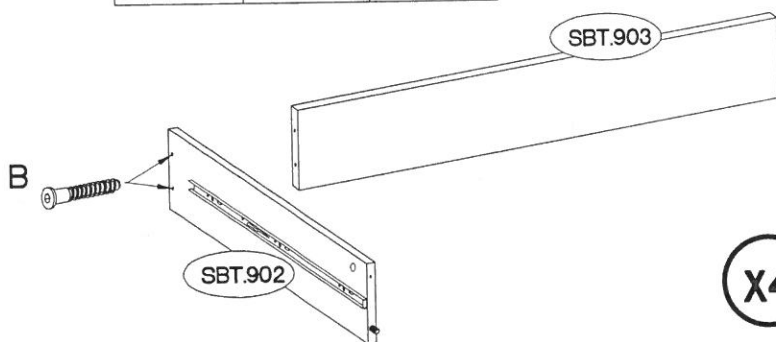


x4

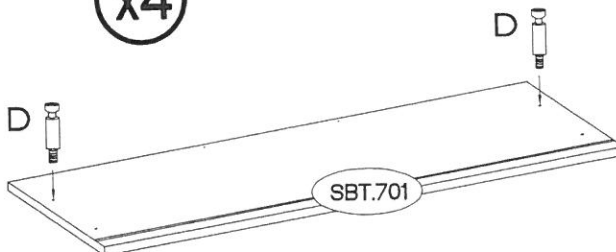
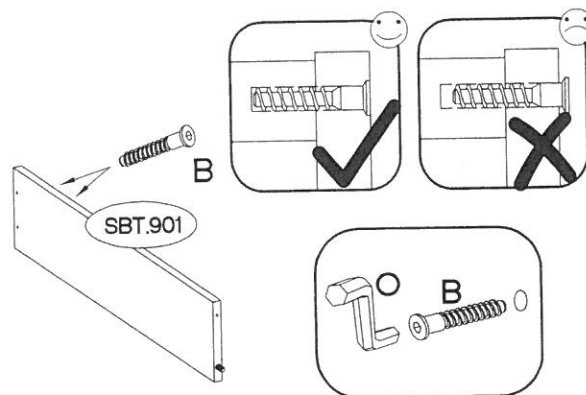


13

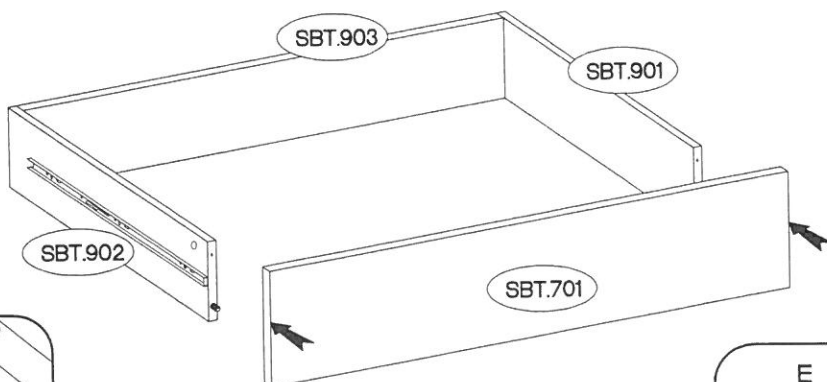
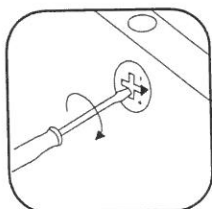
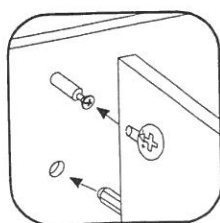
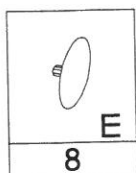
6,4 x 50mm  B 16	 O 1	L=30mm  D 8
--	---	---



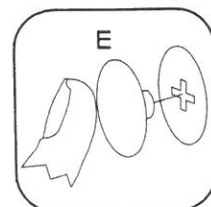
x4



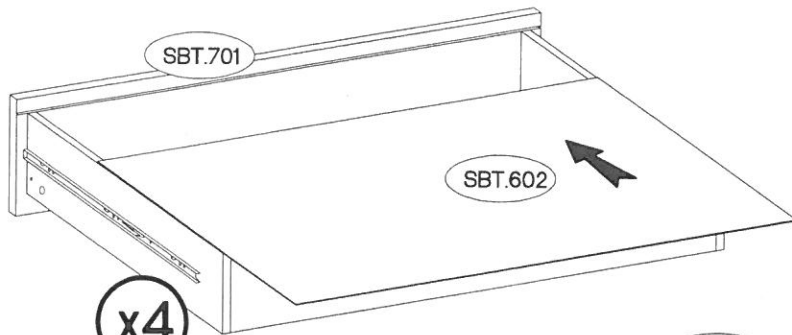
14






x4

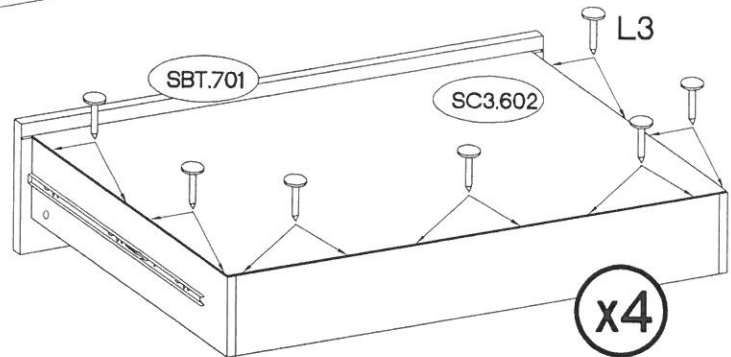
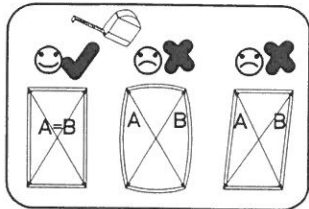


15

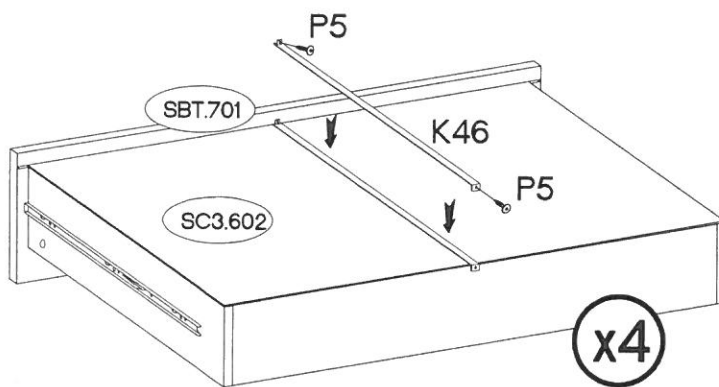


	L=450 mm	
L3		K46
56	4	P5

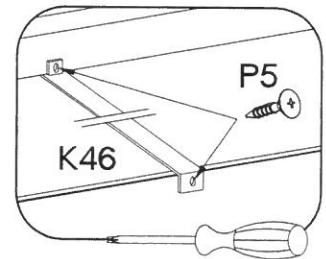
x4



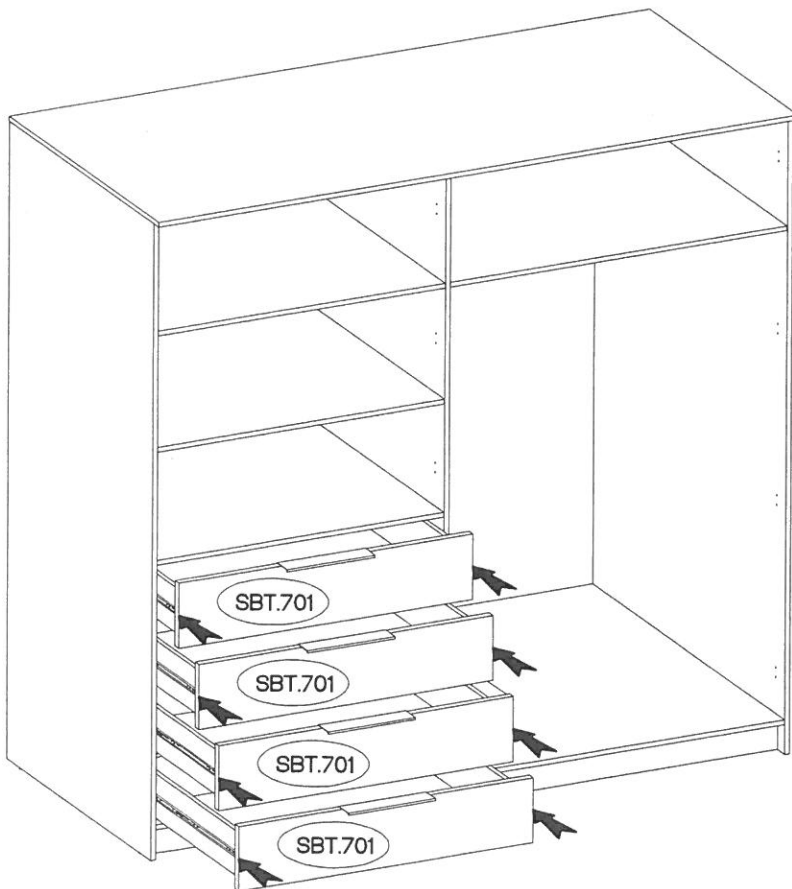
x4





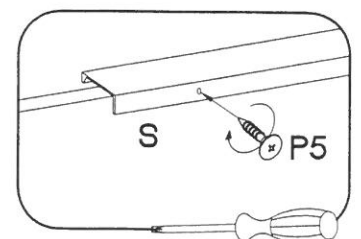
x4






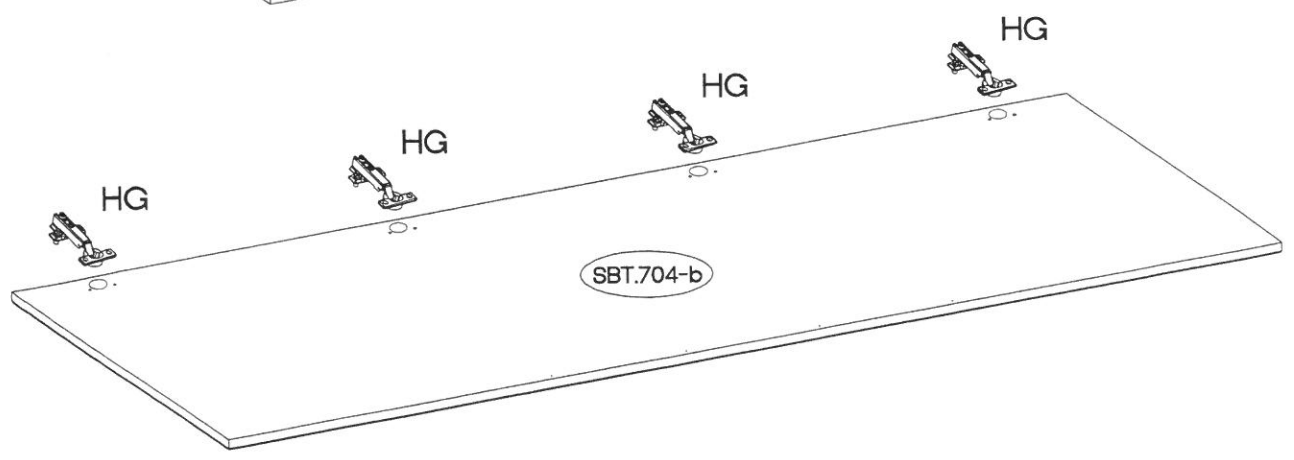
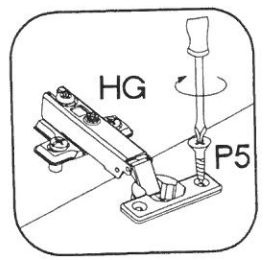
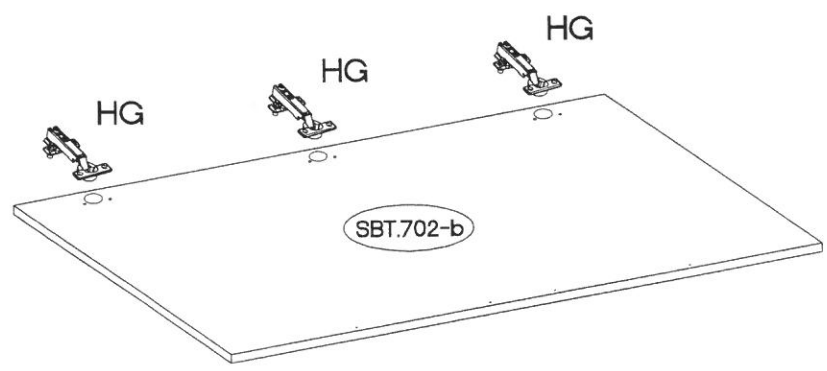
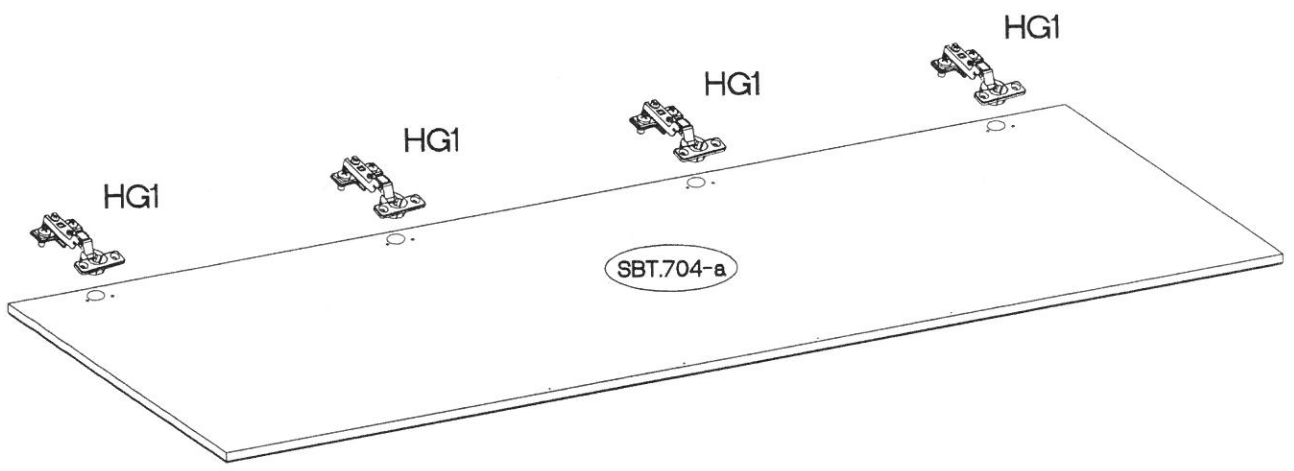
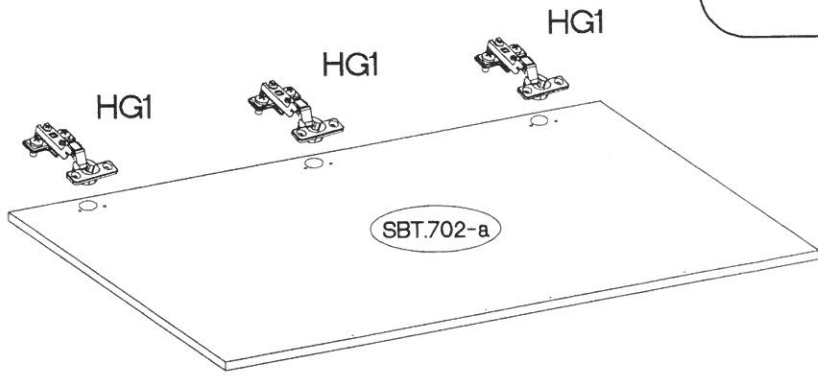
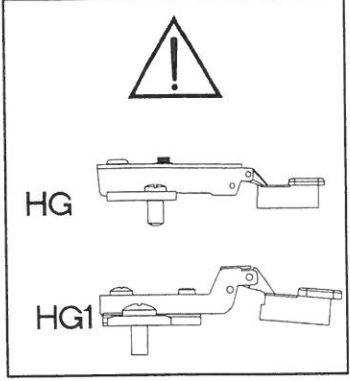
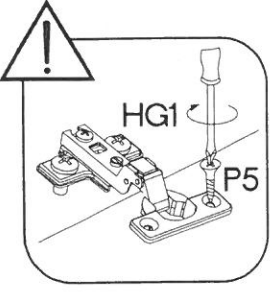
16





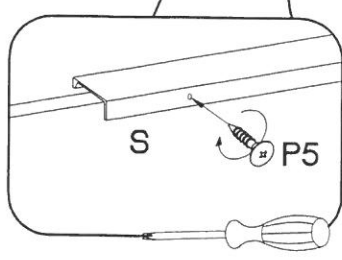
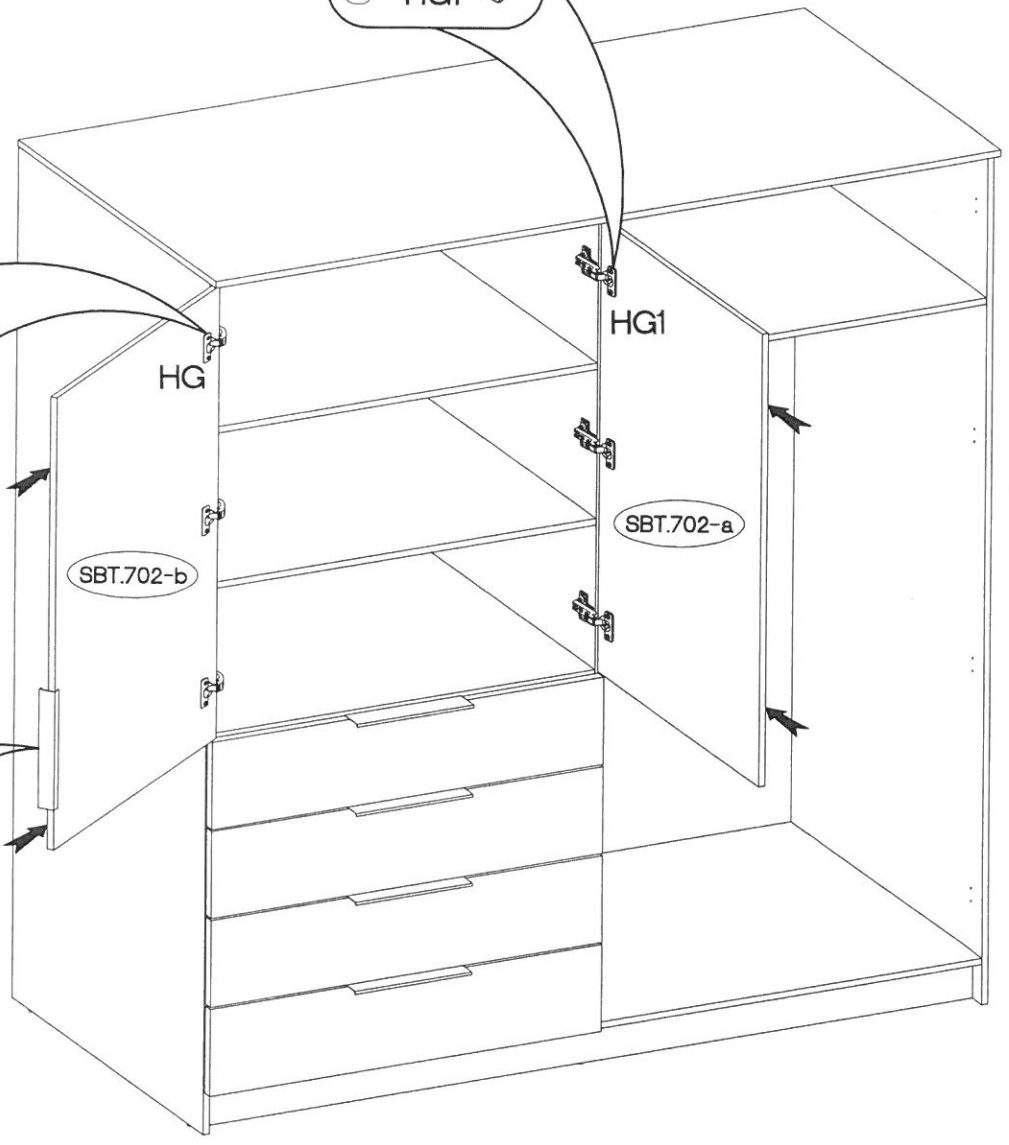
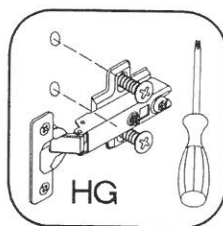
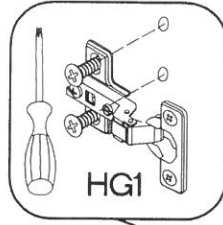
L=256mm	
	S
4	P5






±35/0mm  HG 7	±35/9mm  HG1 7	±3.5x13mm  P5 28
---	--	--



L=256mm	φ3.5x13mm
 S	 P5
1	2



L=256mm	3.5x13mm	
		
S	P5	E
1	2	27

