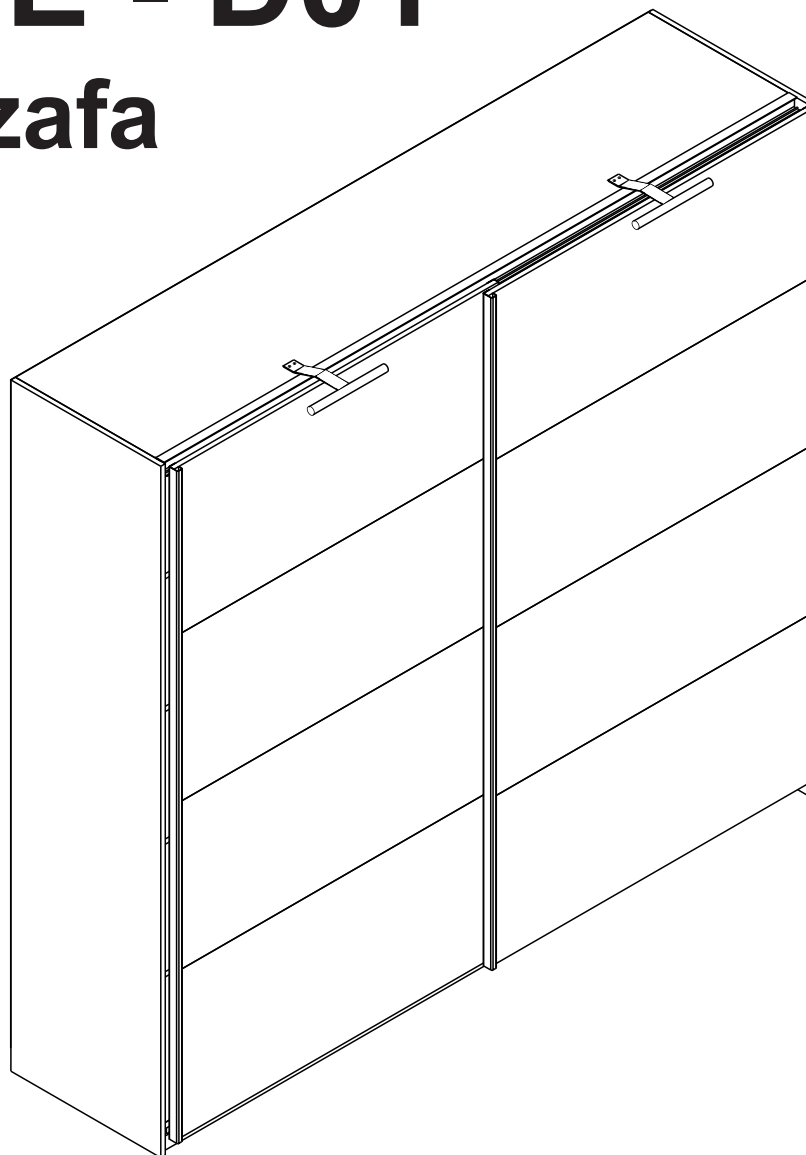
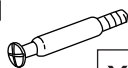







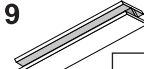





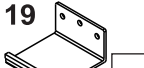



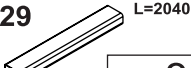
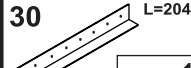
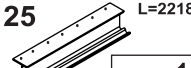






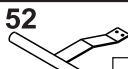




DIONE - D01

Szafa



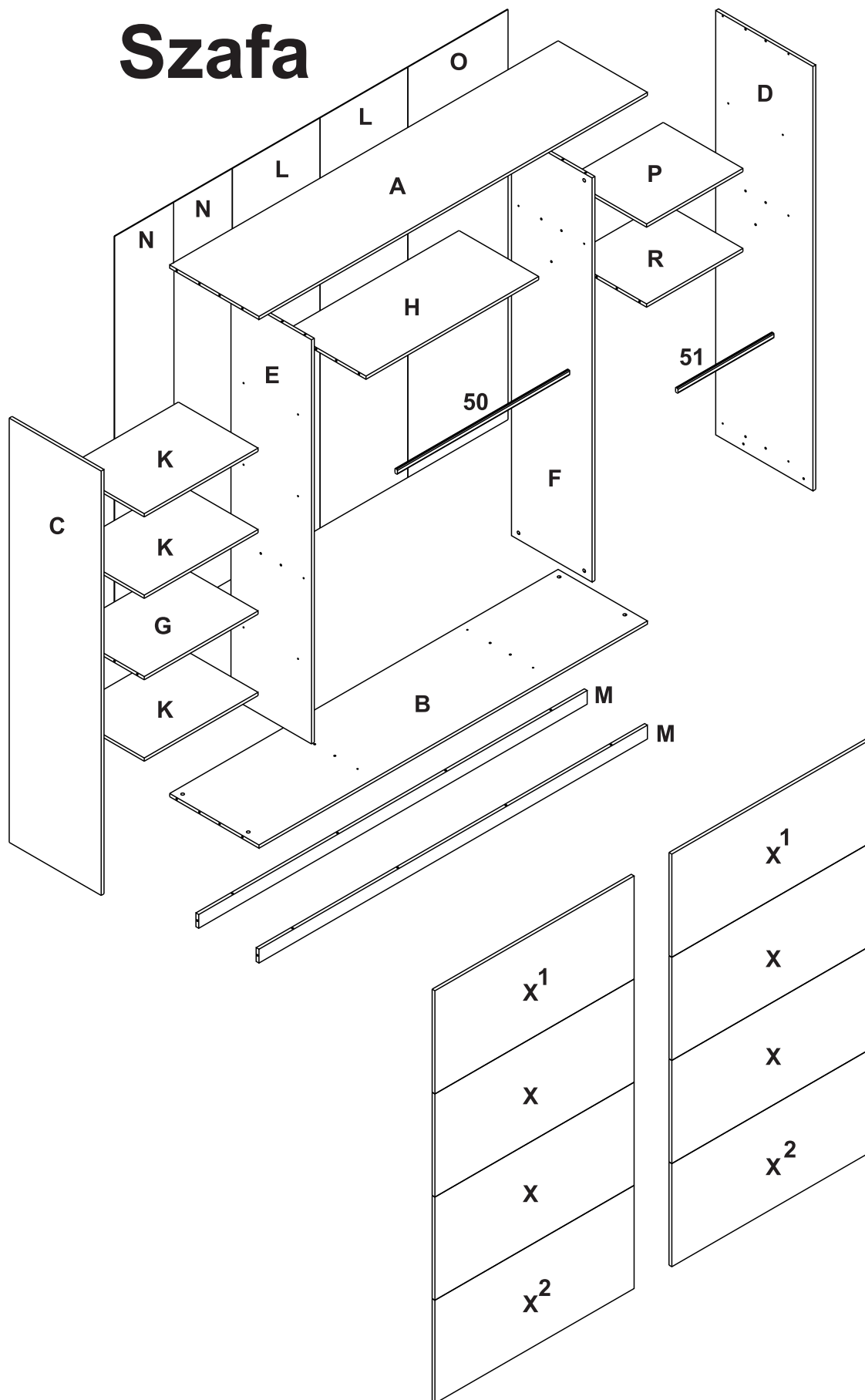
1  x28	2  x28	3  8x35 x40	4  x28	5  x150	6  x4
7  x16	54  3x10 x4	9  x2	10  3,5x25 x4	14  4x12 x113	12  3,5x13 x21
23  x2	18  x2	19  x2	20  x2	21  x1	22  x1
29  L=2040 x3	30  L=2040 x1	25  L=2218 x1	26  L=2218 x1	31  x3	32  x18
51  L=542 x1	50  L=980 x1	11  x1	52  x2		
53  x1	35  4x16 x16				

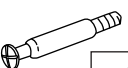

Czas mont. - 180 min.

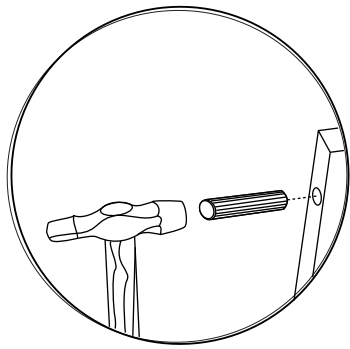
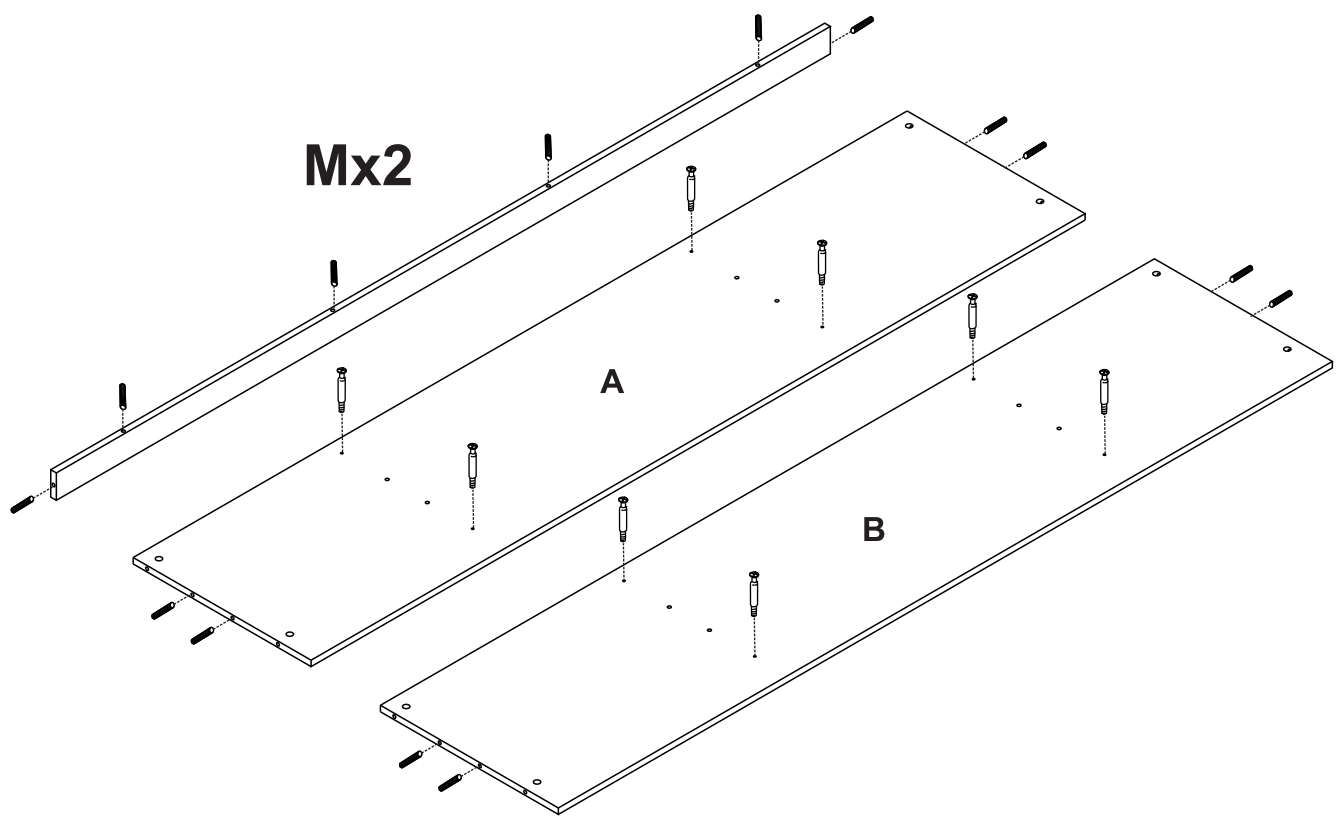
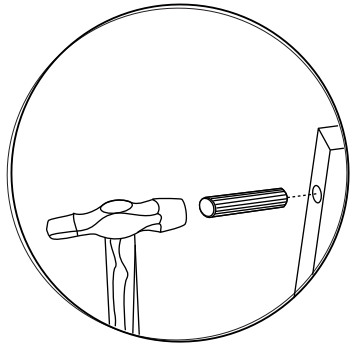


DIONE - D01

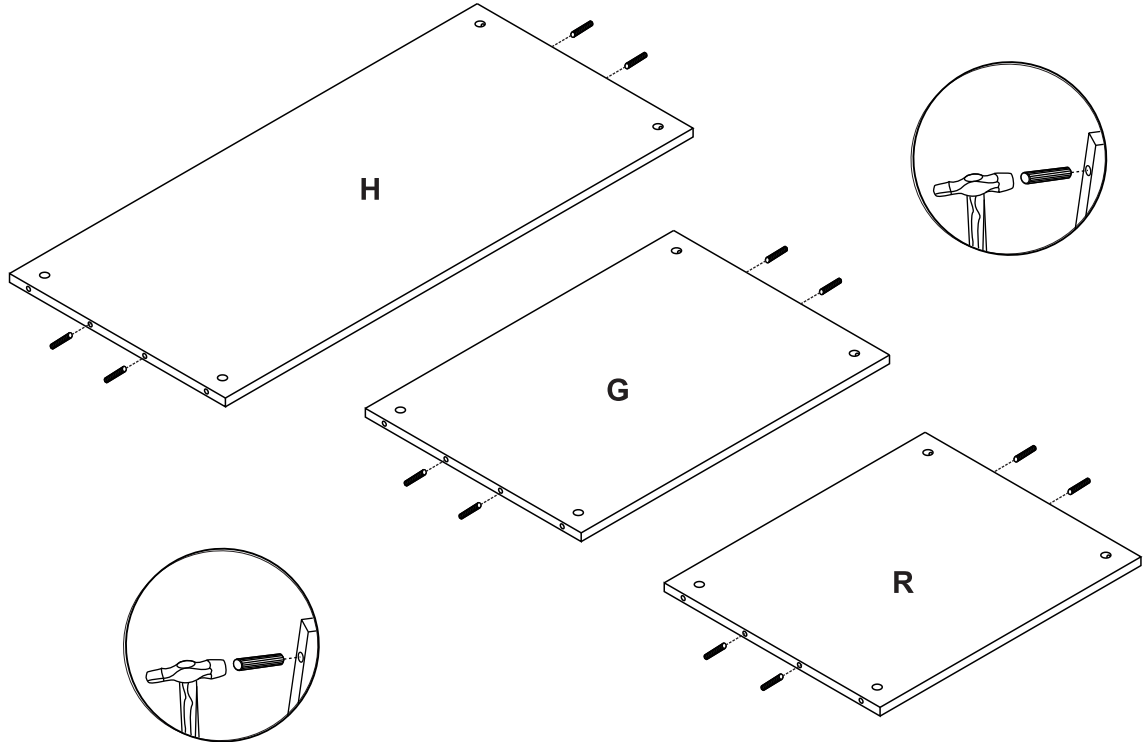
Szafa



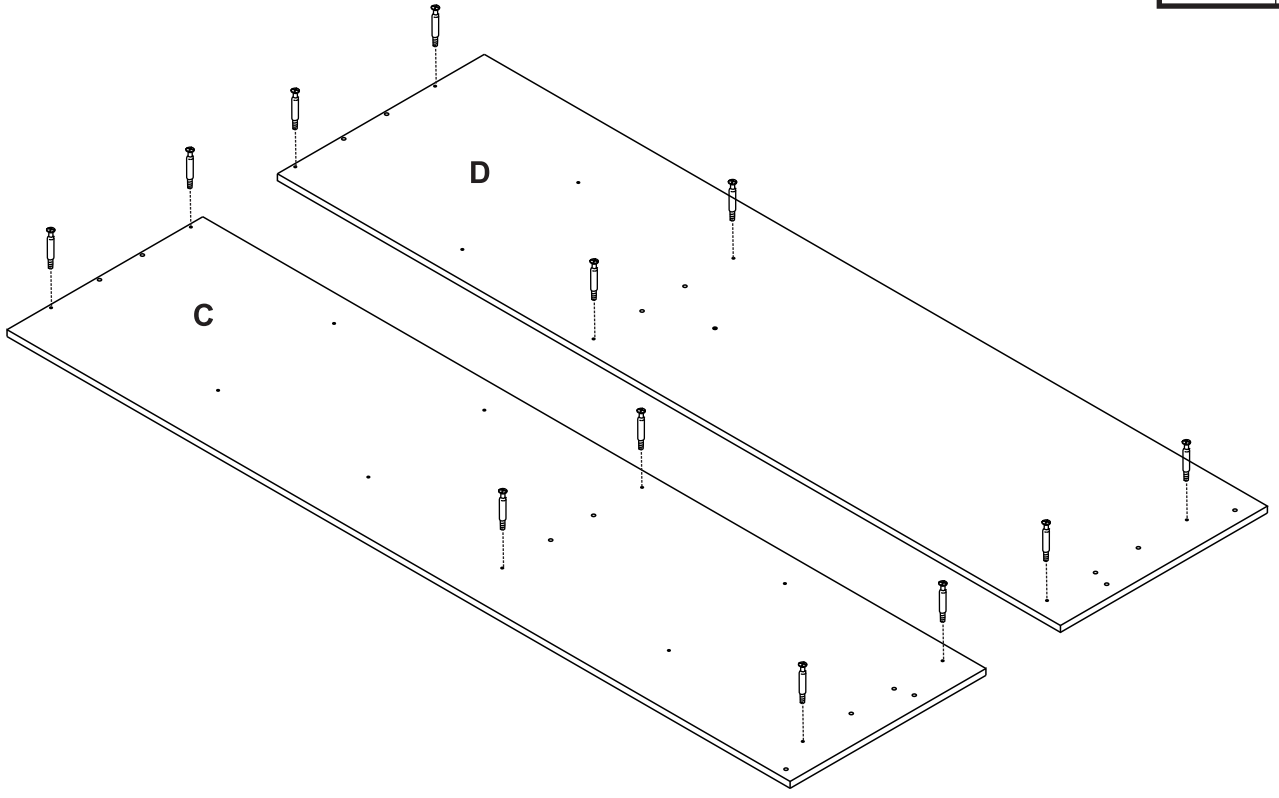
- 1  x8
- 3  8x35 x20

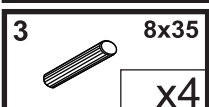
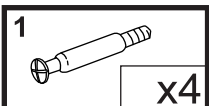
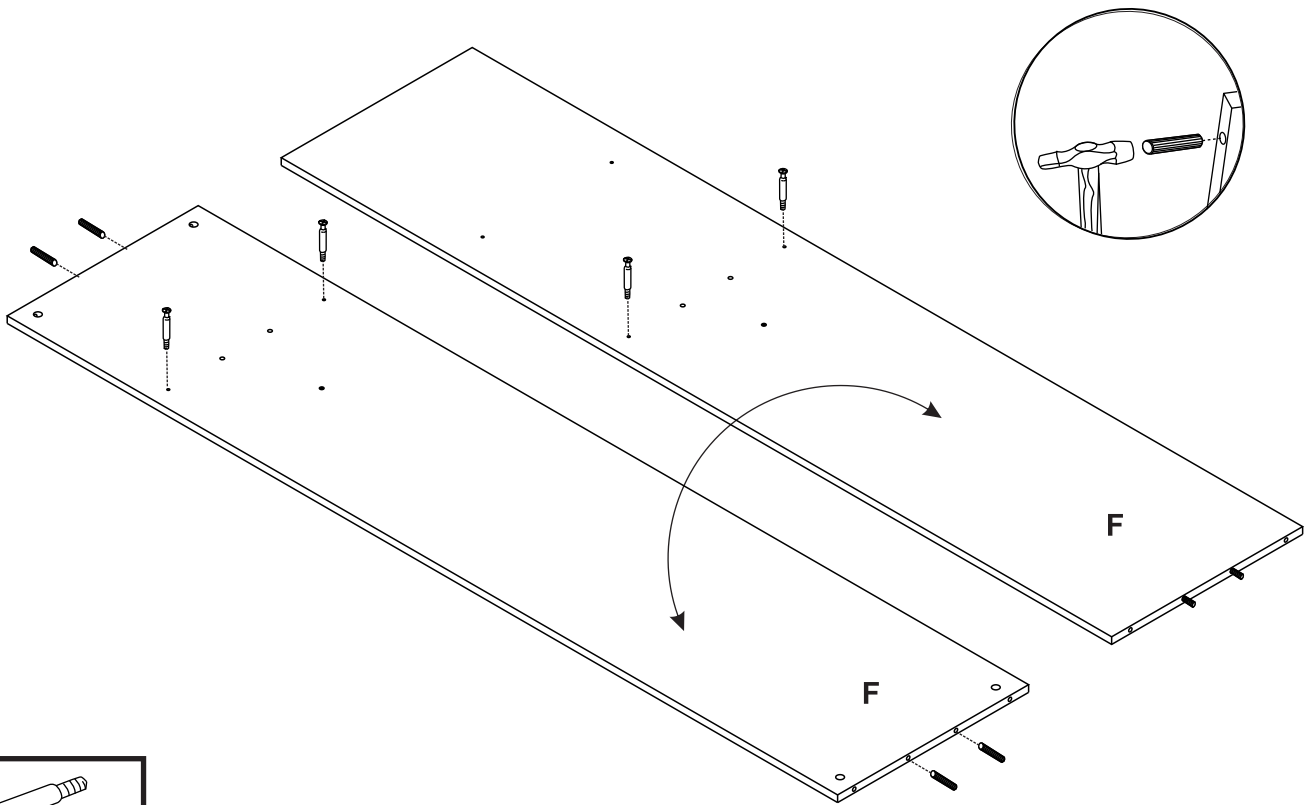
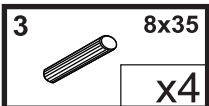
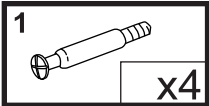
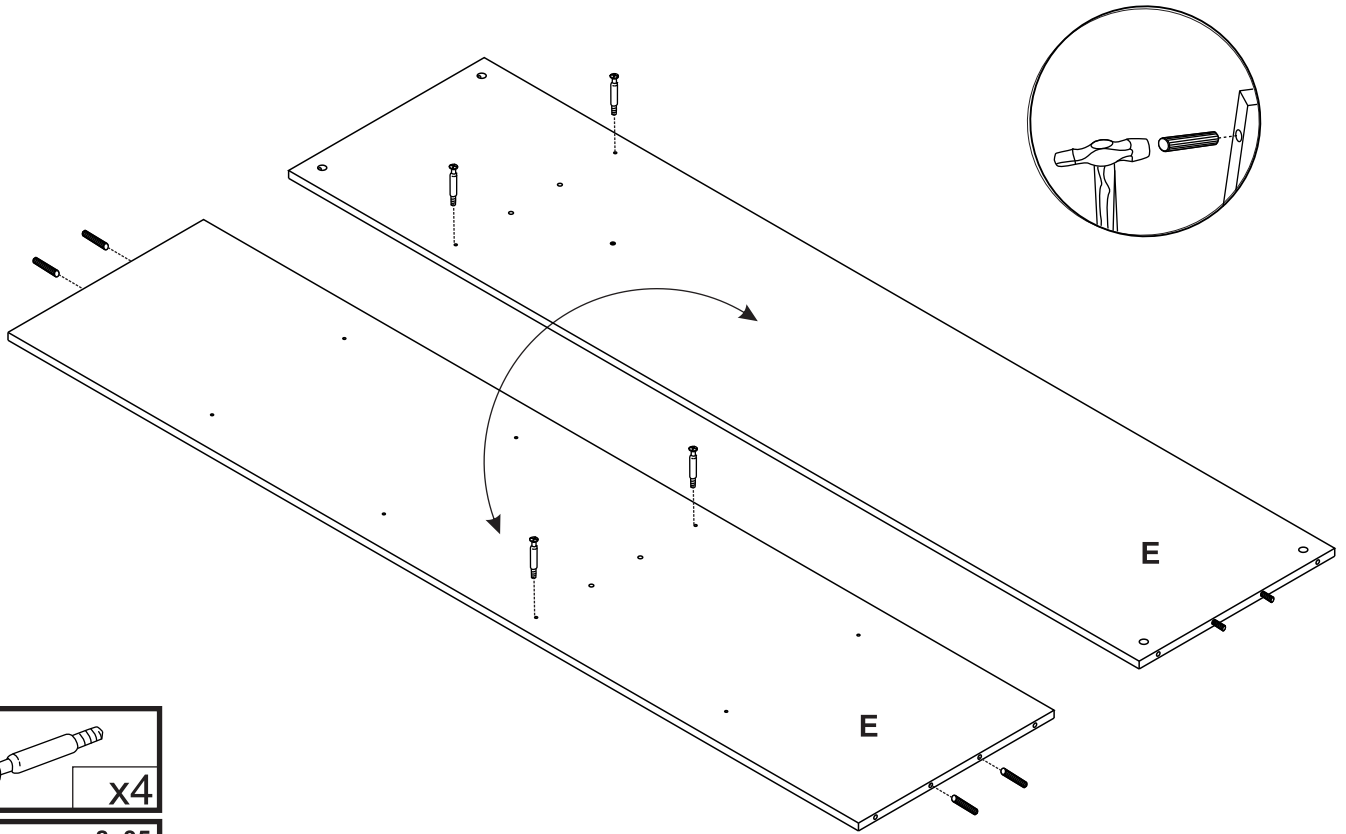


3 8x35
x12

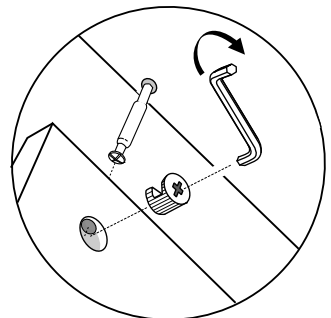
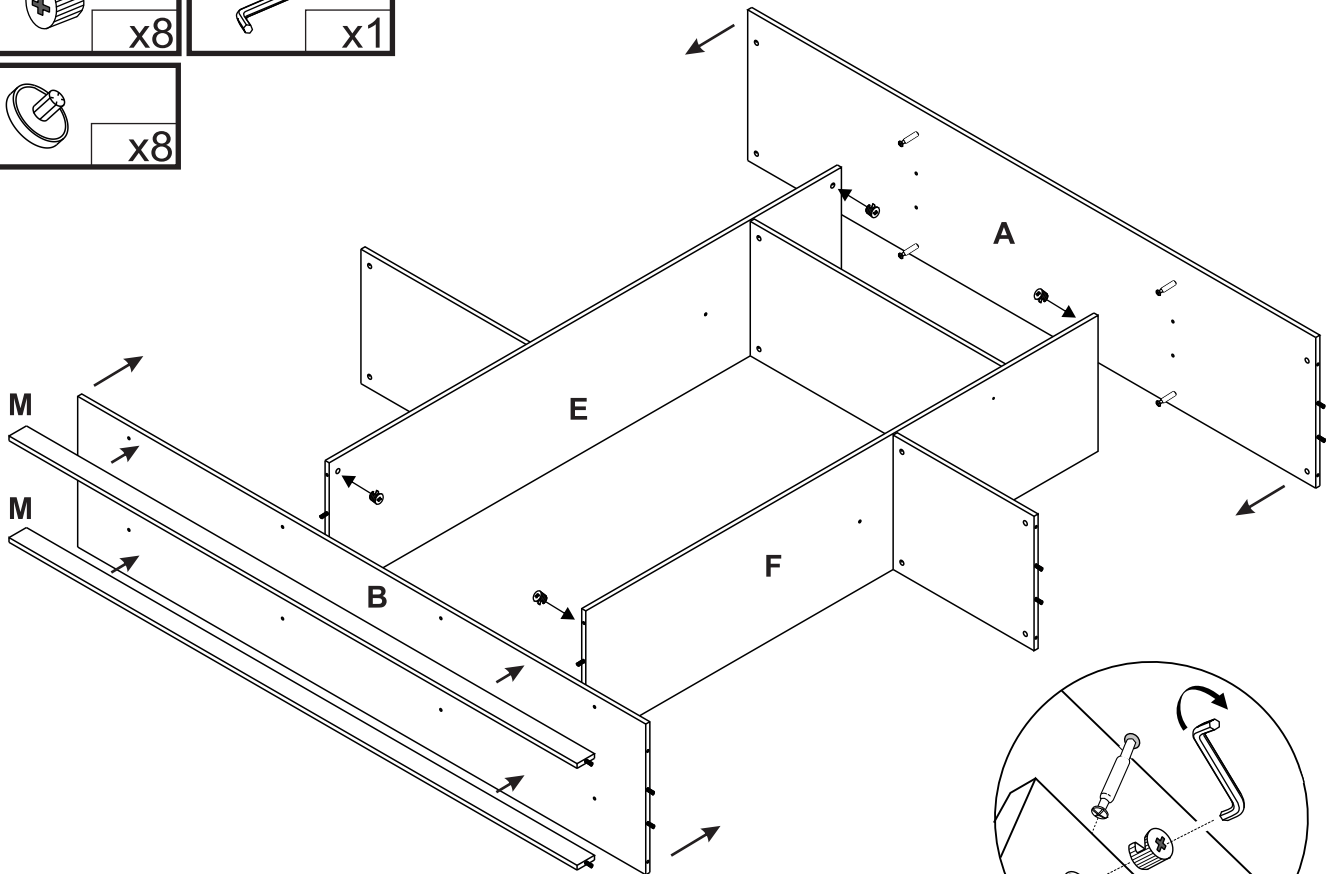
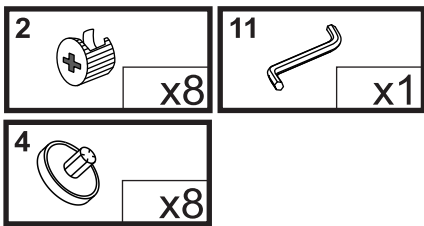
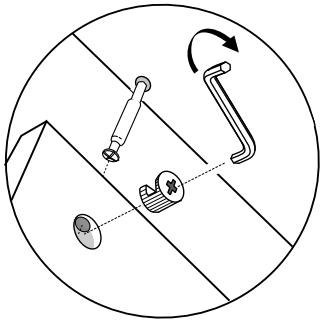
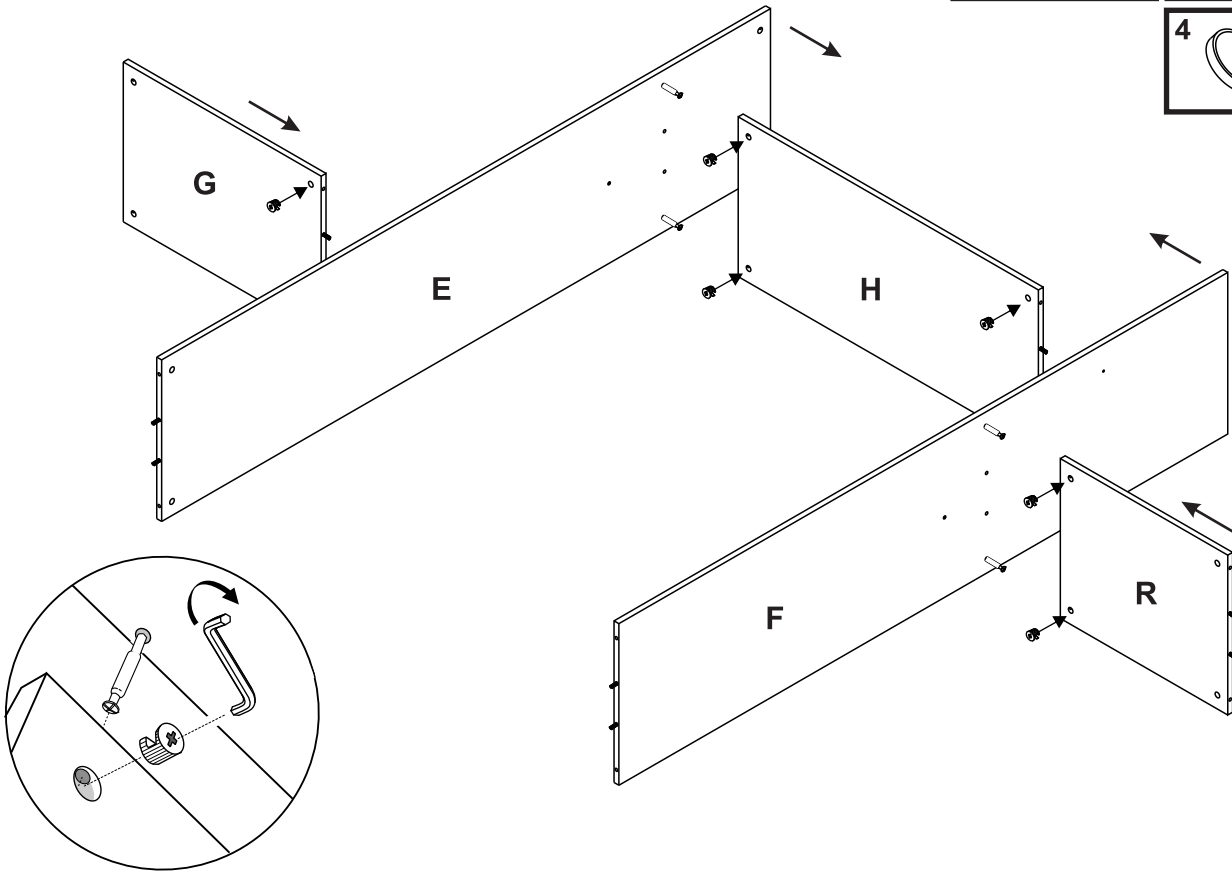
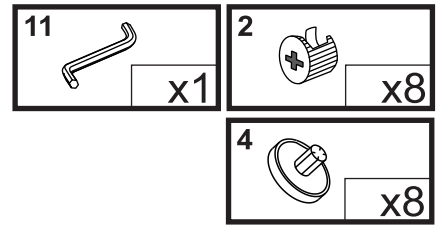


1 x12



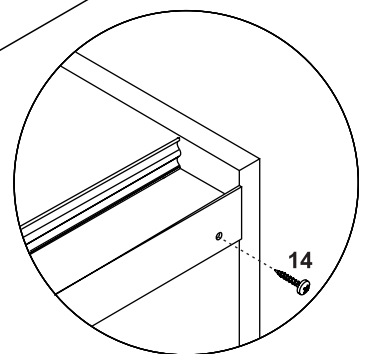
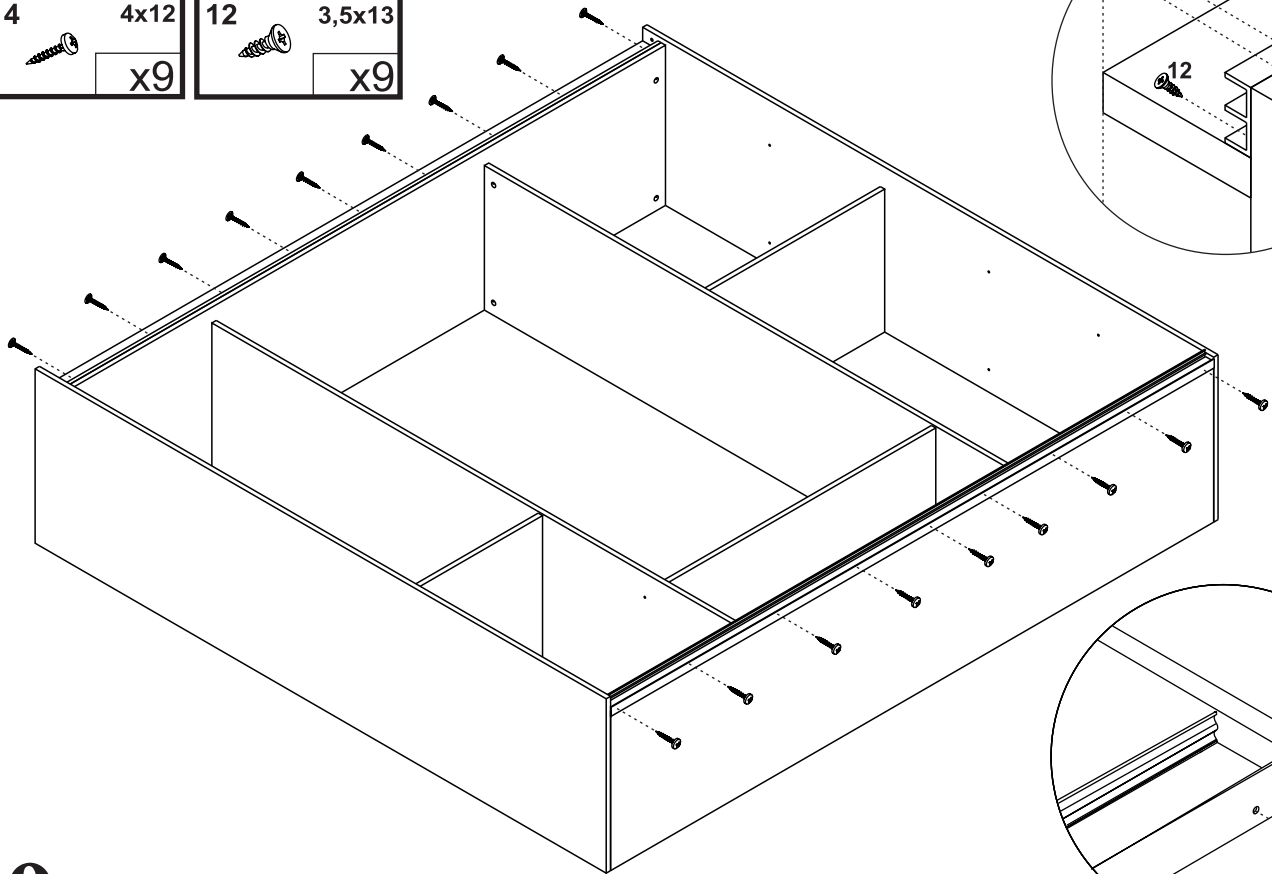
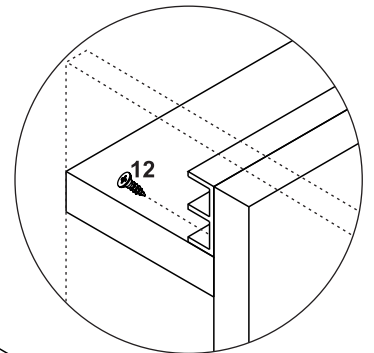
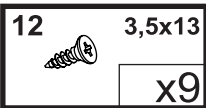
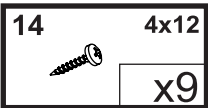
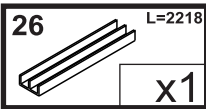
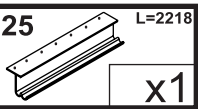
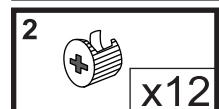
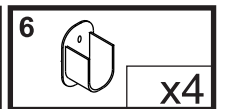
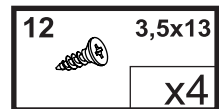
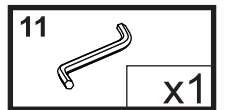
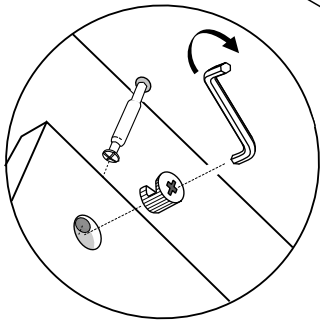
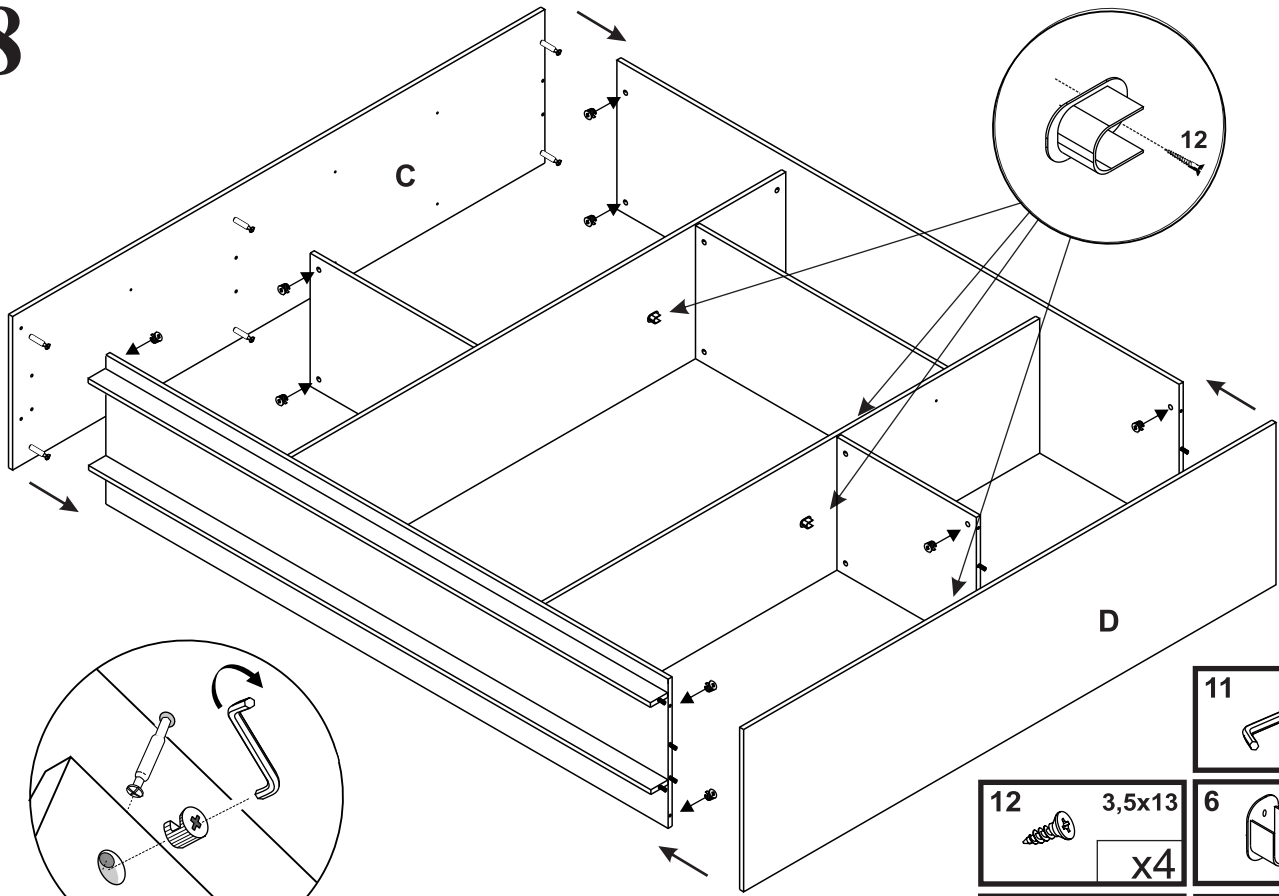


6

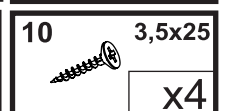
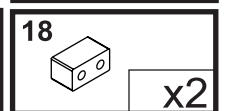
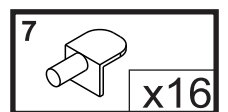
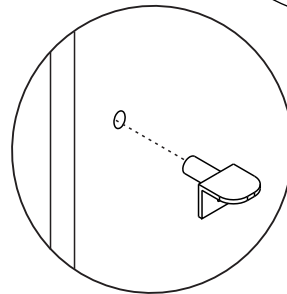
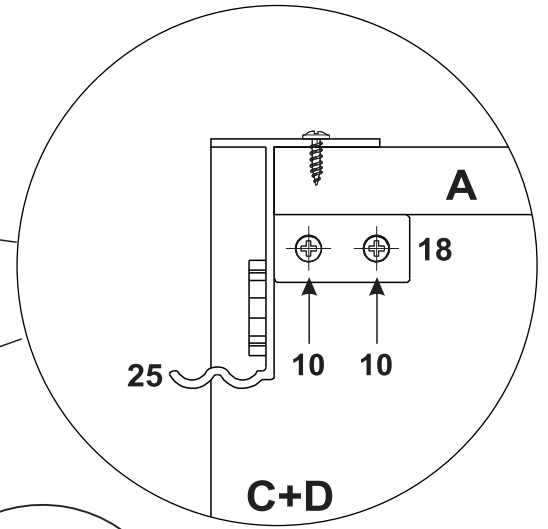
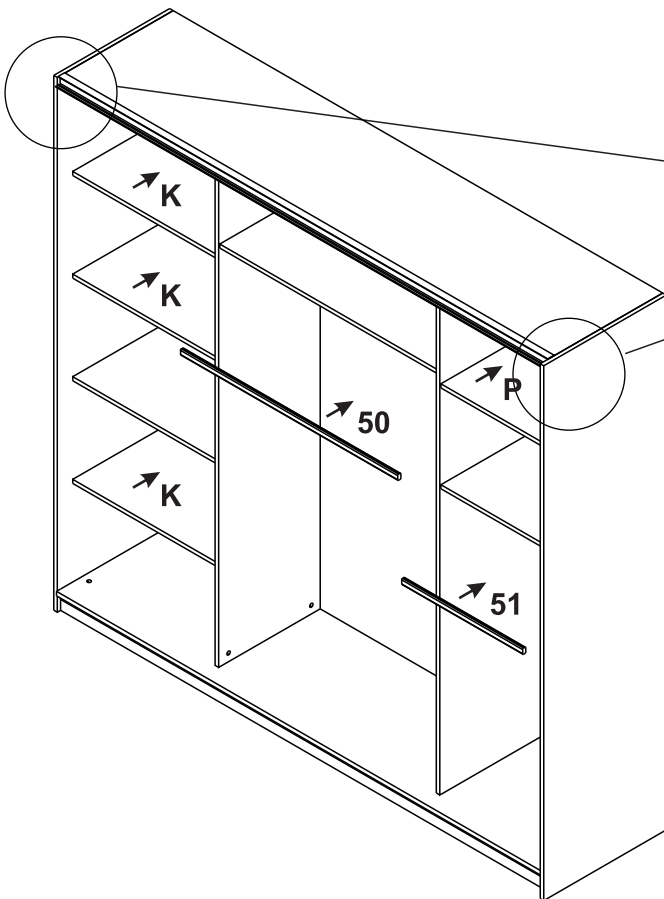
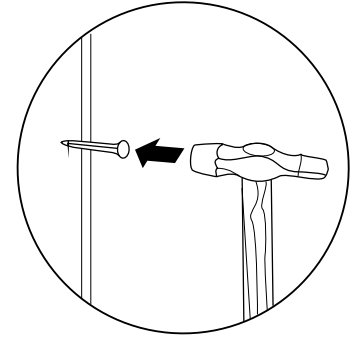
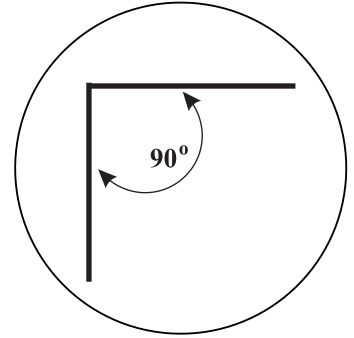
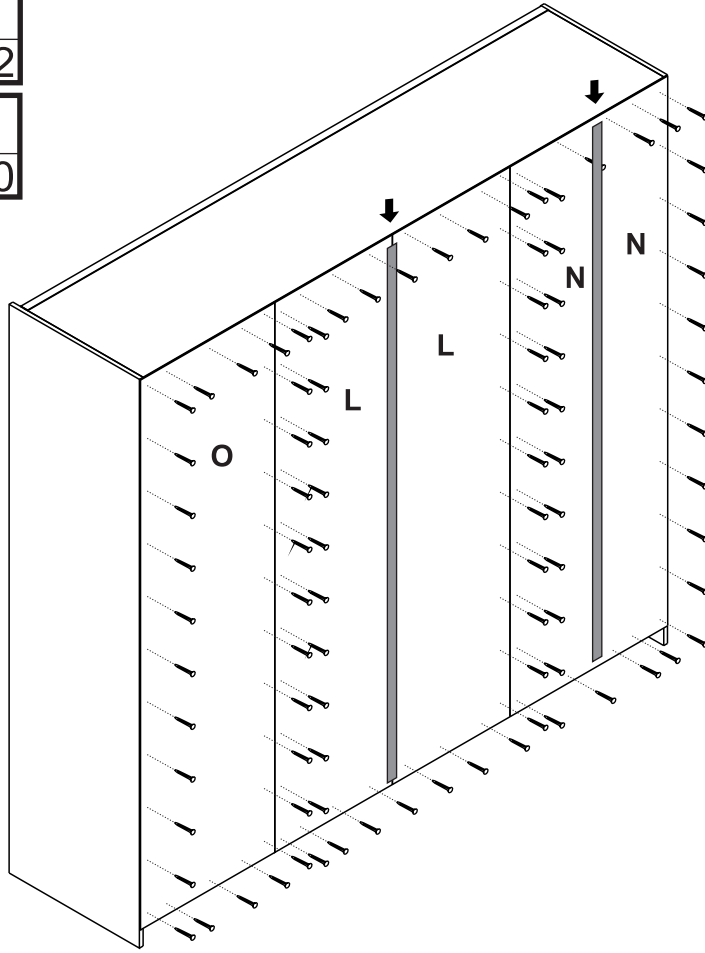
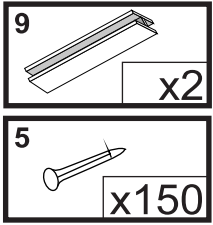


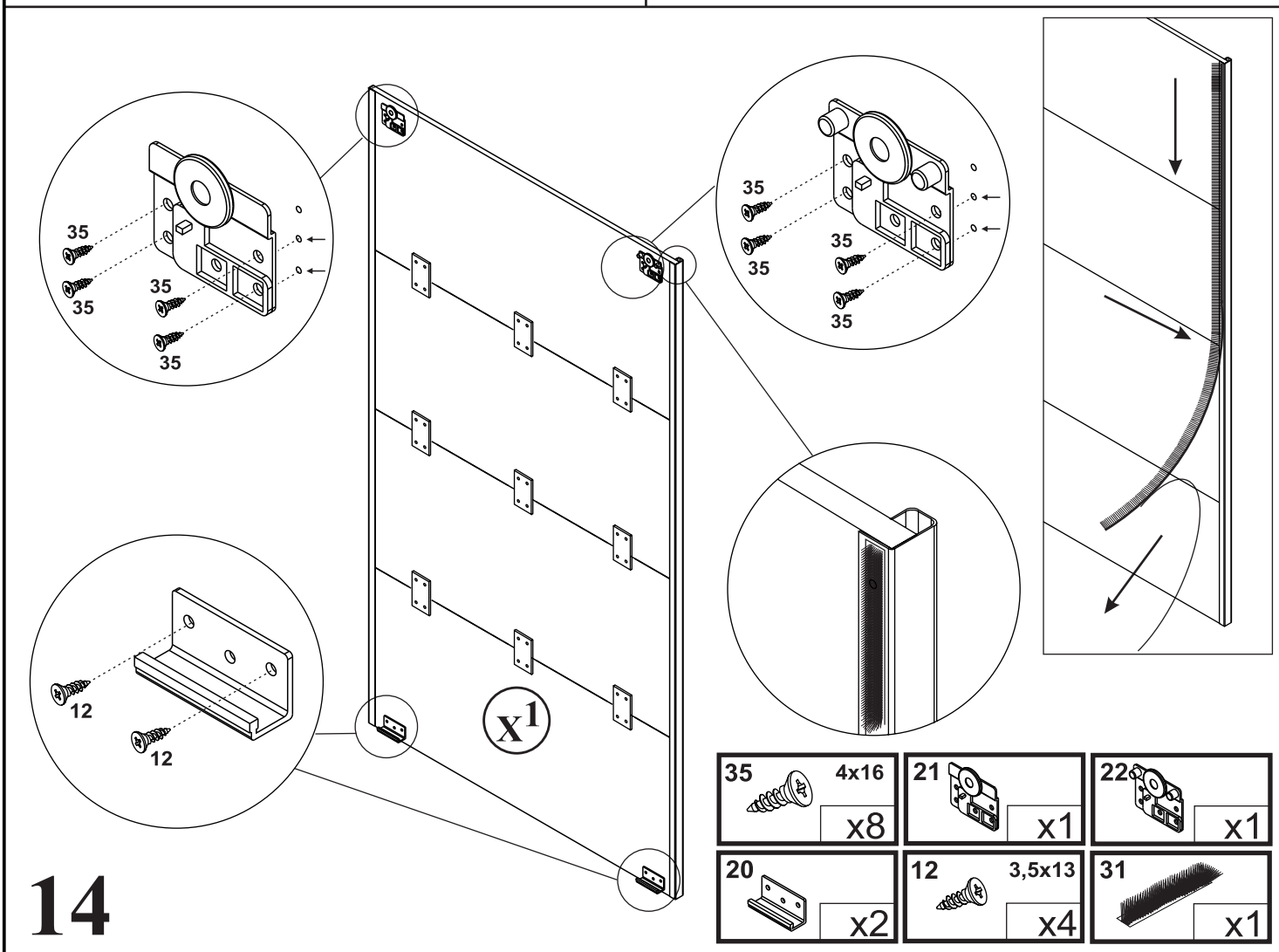
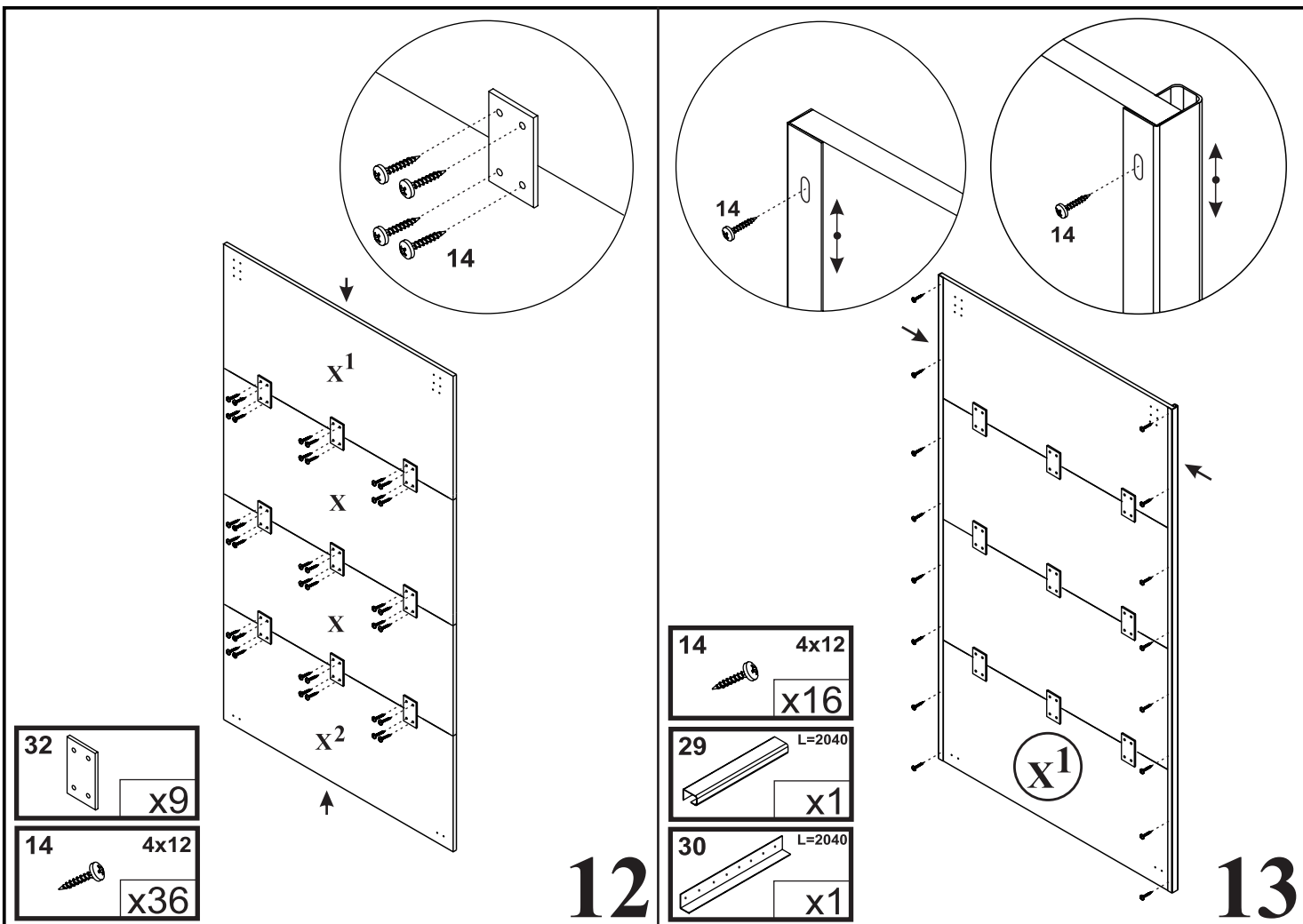
7

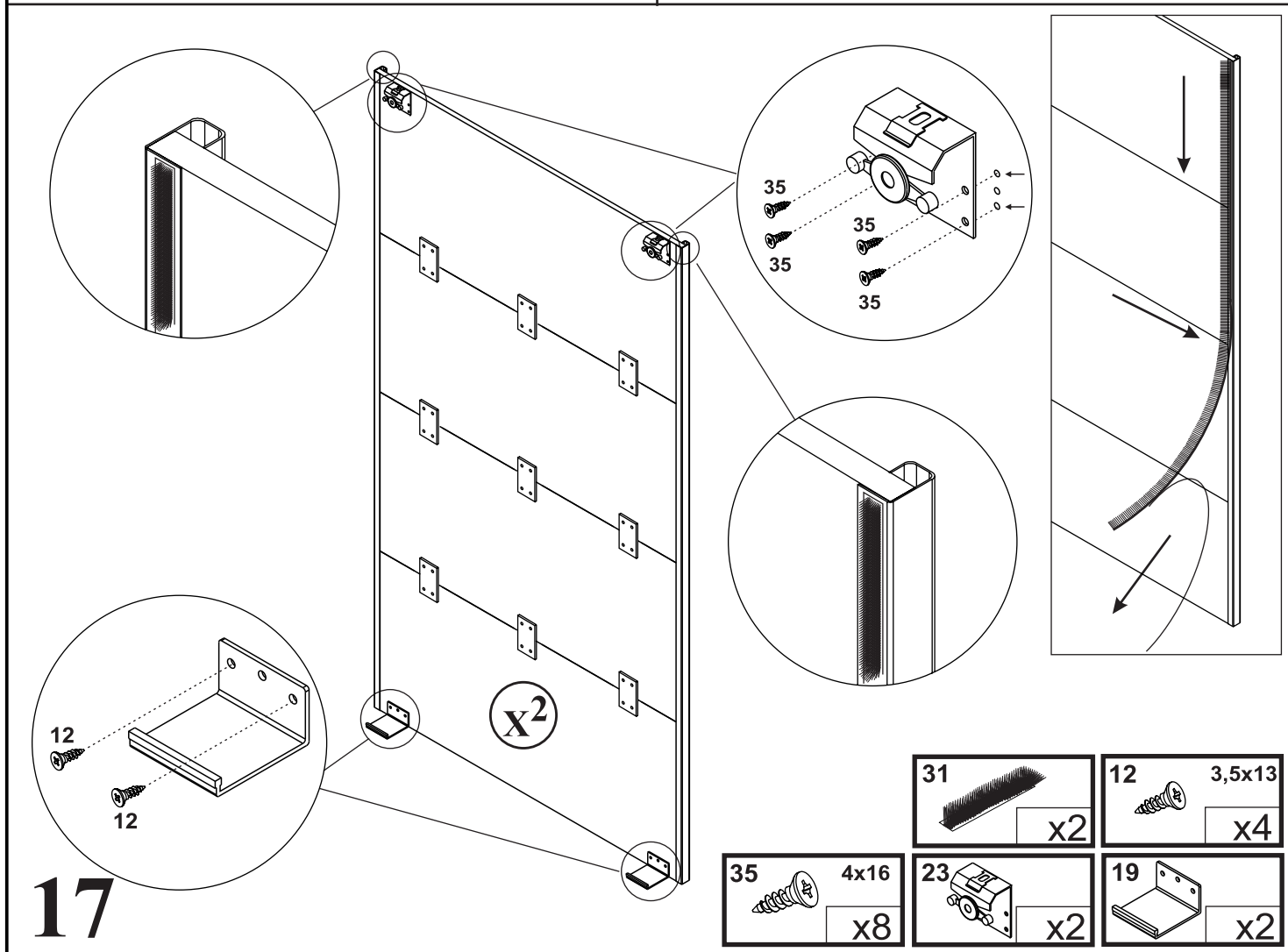
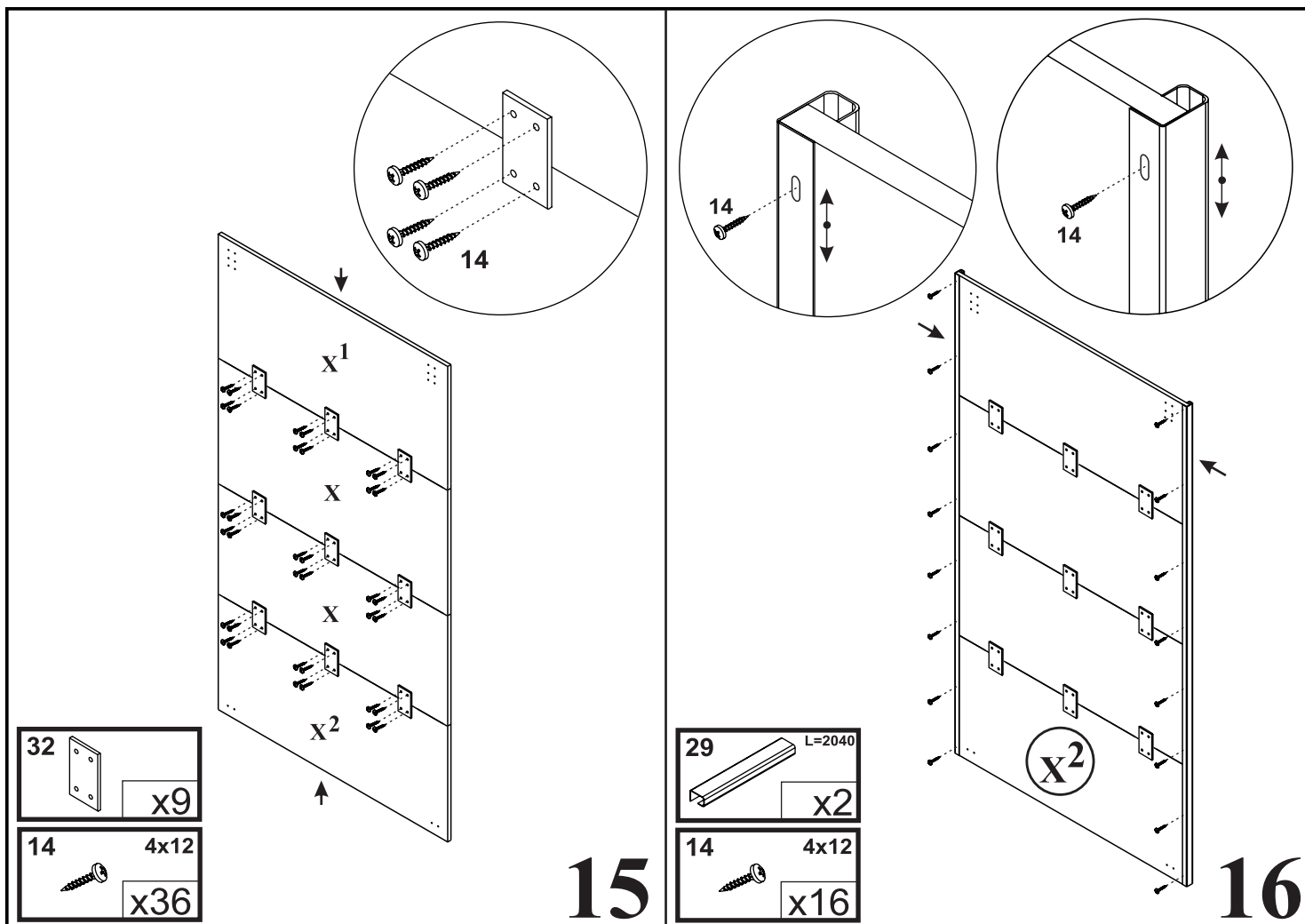
8

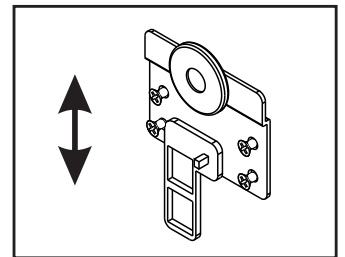
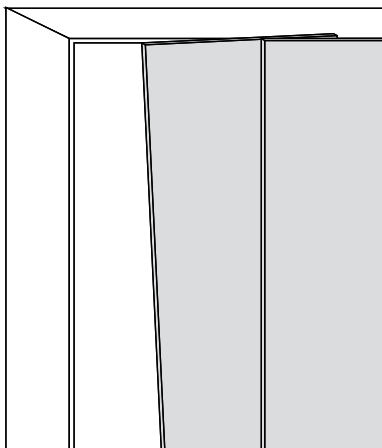
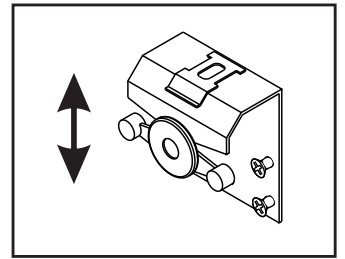
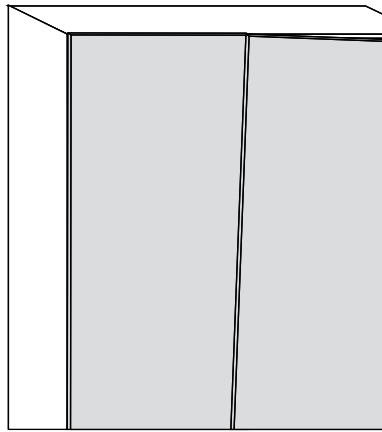
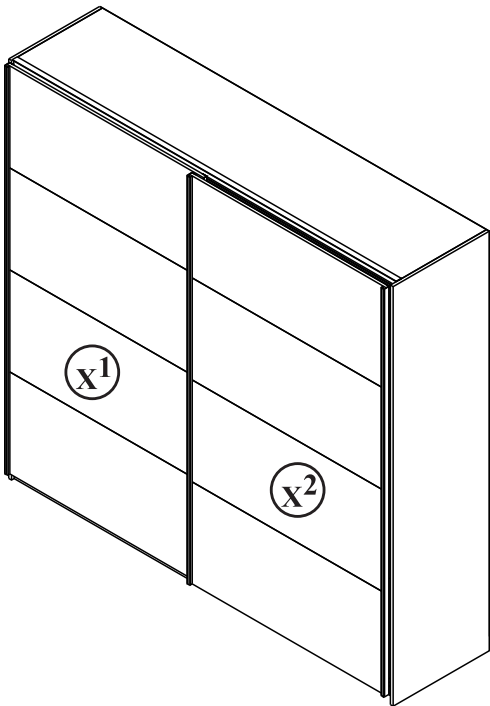
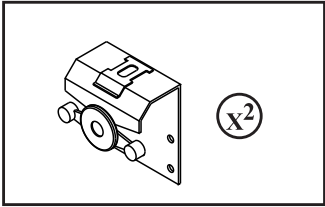
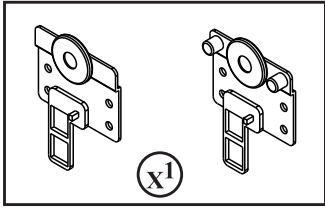
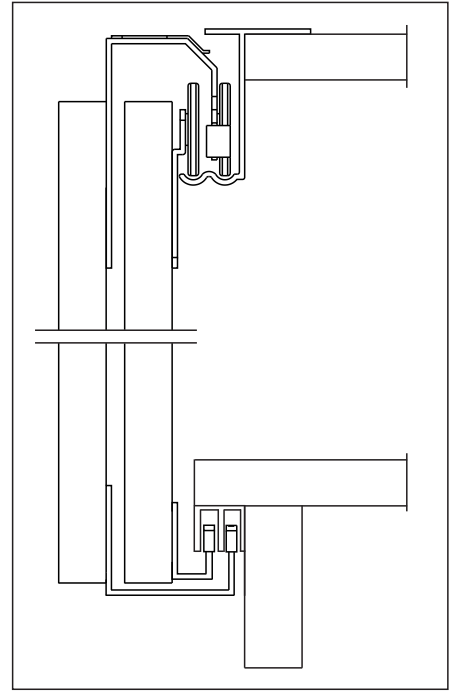
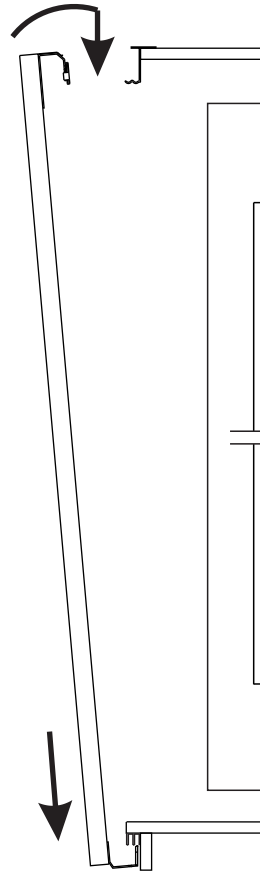
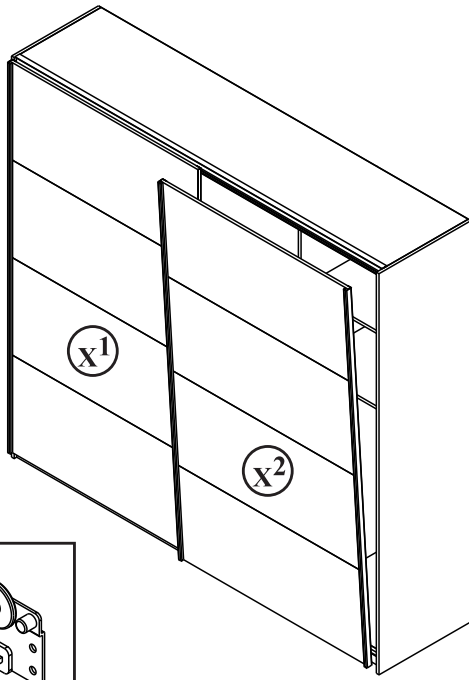


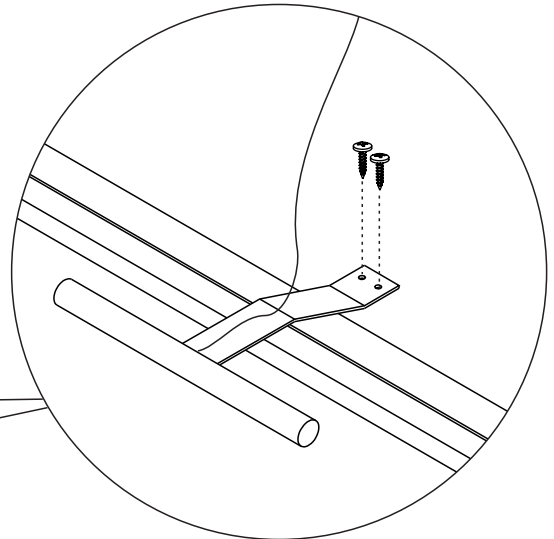
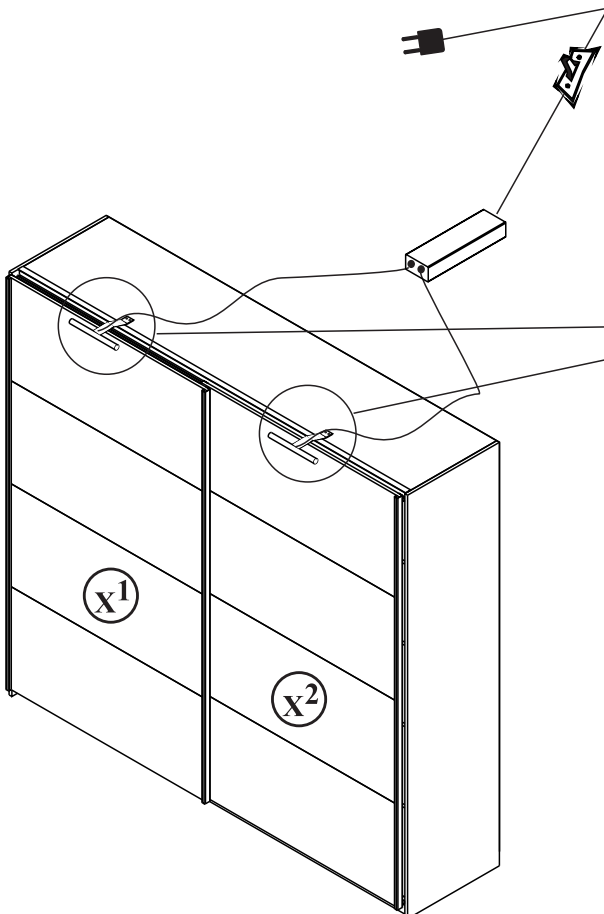
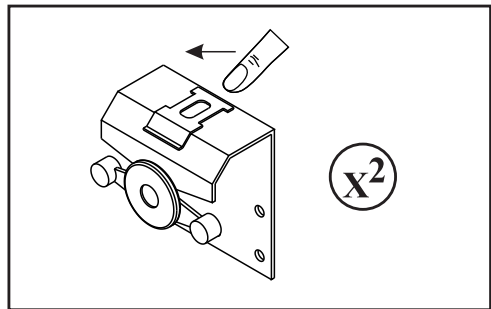
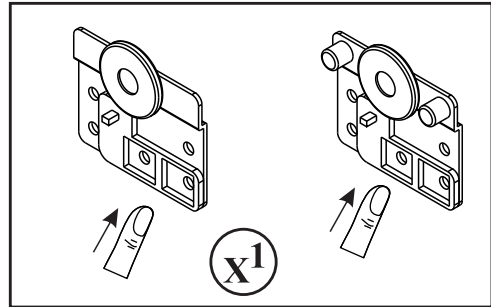
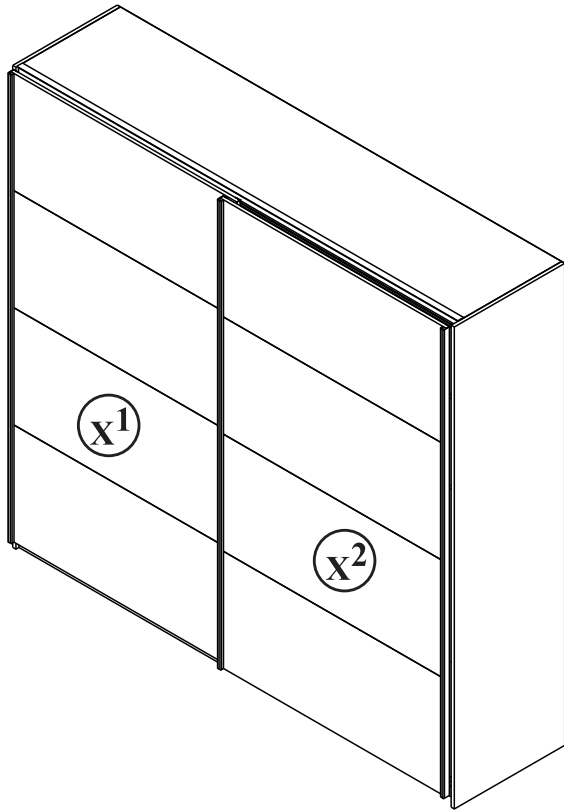
9











54 3x10
x4

52
x2

53
Transformer
x1