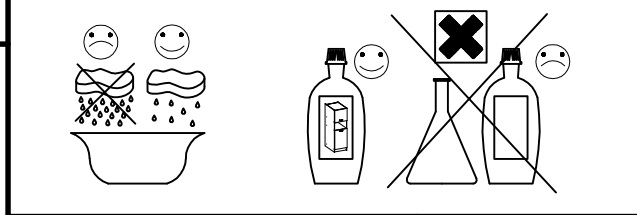
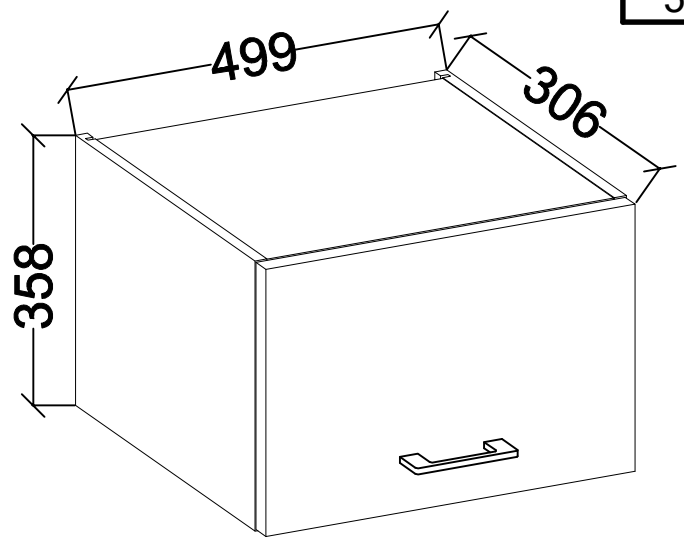
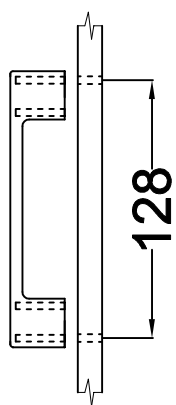
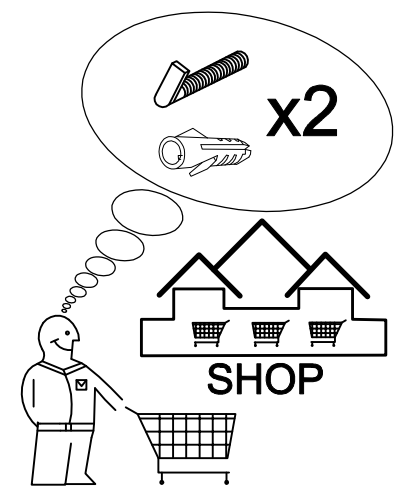
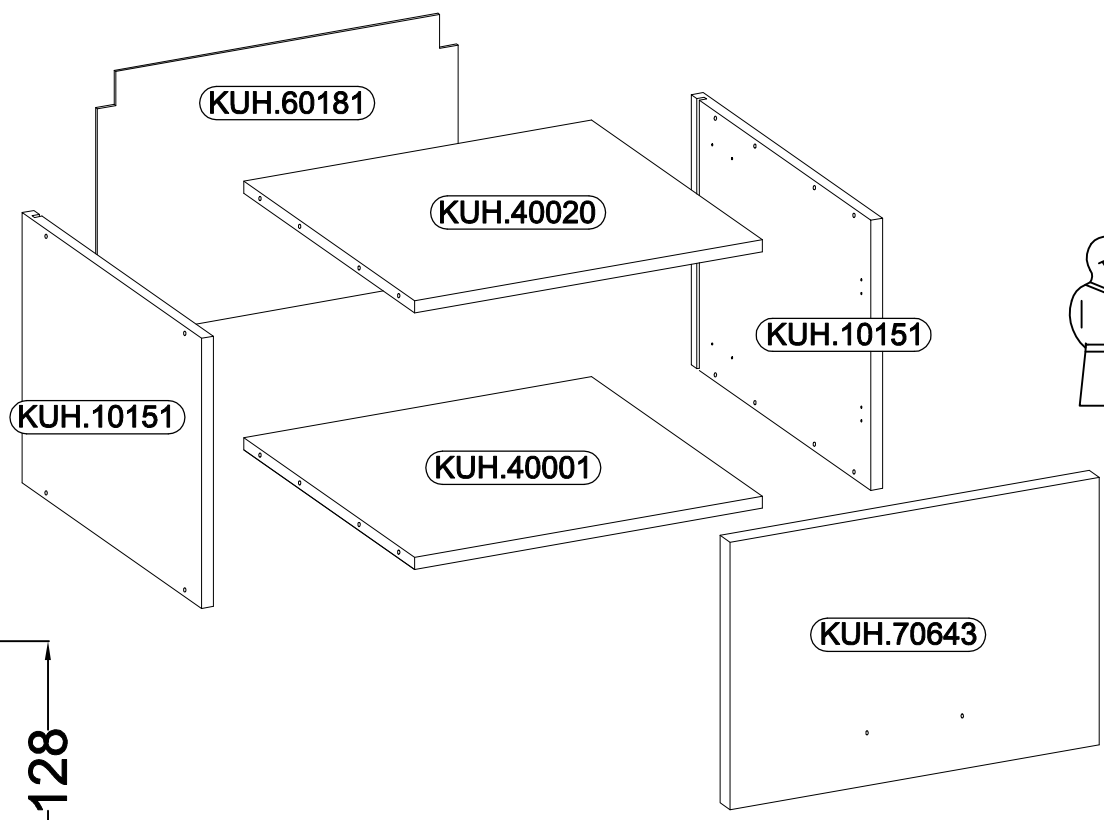
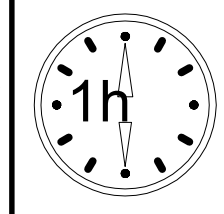
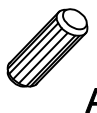



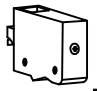
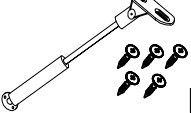








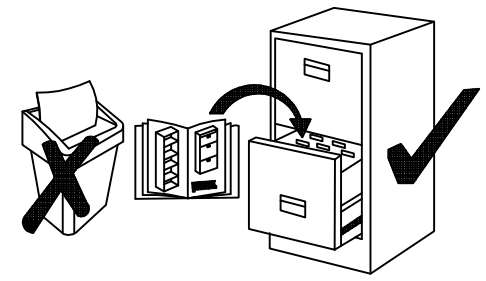
50 GU-36



max. 5kg

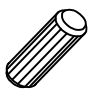




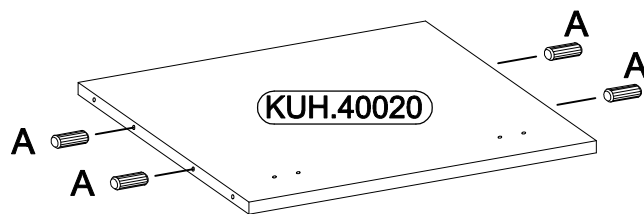
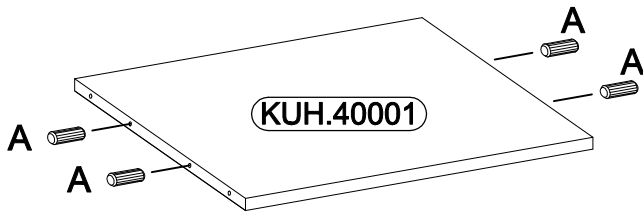
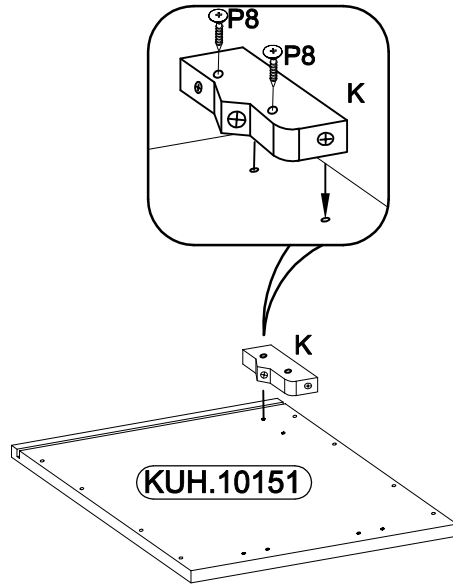
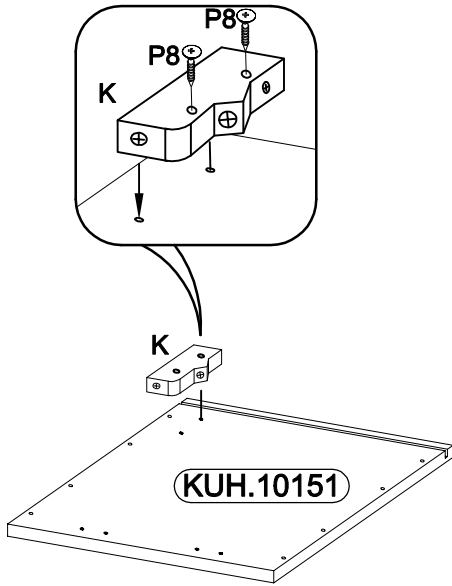
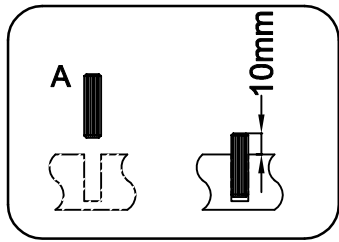
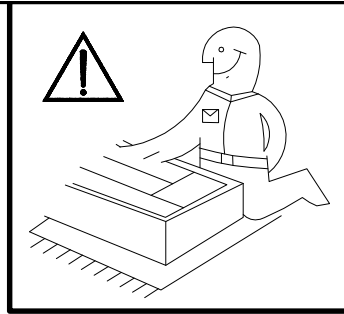
| | | | | | |
|--|--|--|--|--|--|
| Ø8x30mm  A | 6,4 x 50mm  B |  E1 | Ø35/0mm  HG |  K |  K24 |
| 8 | 8 | 8 | 2 | 2 | 2 |
|  O | Ø3.5x13mm  P5 | Ø3.0x20mm  P7 | Ø4.0x30mm  P8 |  S | Ø4.0x30mm  R2 |
| 1 | 4 | 8-10 | 4 | 1 | 2 |




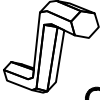

ISM-KUH-01538

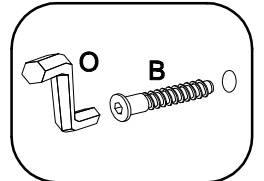
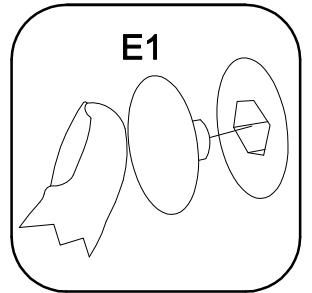
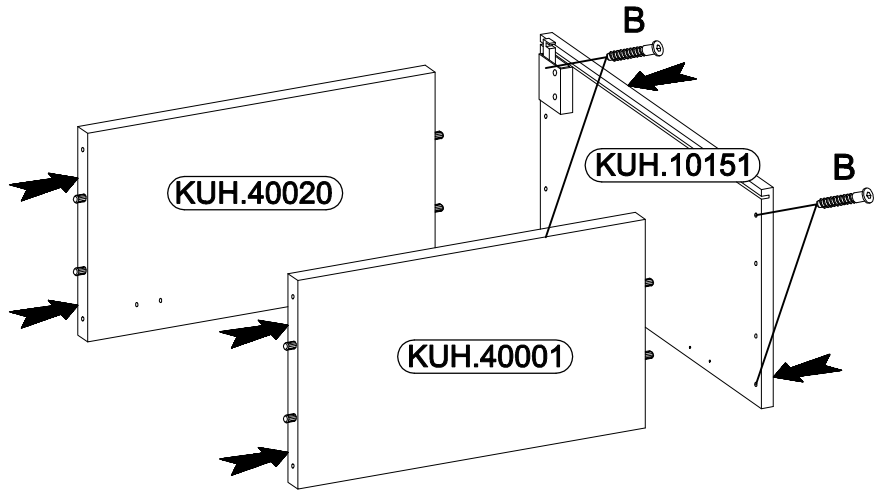
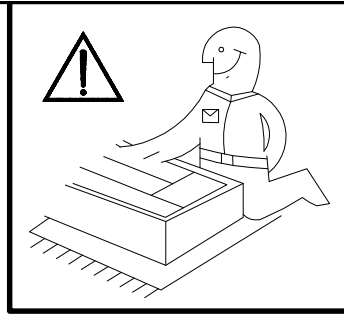
1

| | | |
|--|---|---|
|  Ø8x30mm A |  Ø4.0x30mm P8 |  K |
| 8 | 4 | 2 |


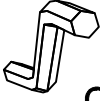



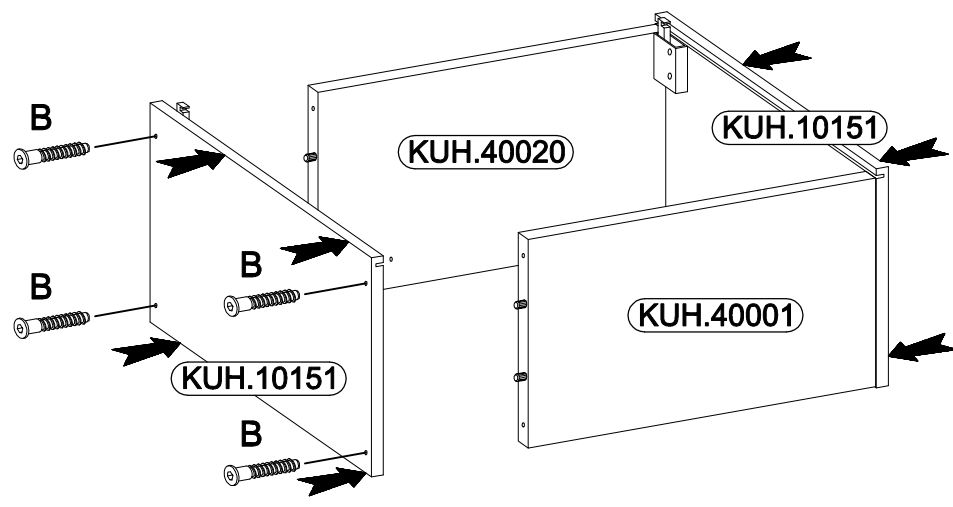
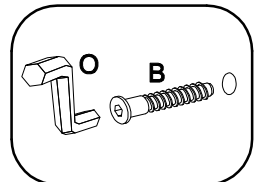
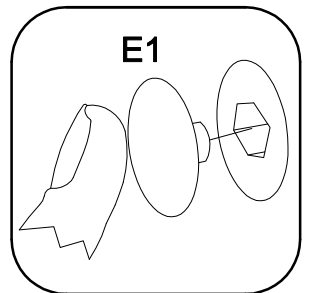
2

| | | |
|--|--|--|
| 6,4 x 50mm | | |
|  |  |  |
| B | O | E1 |
| 4 | 1 | 4 |

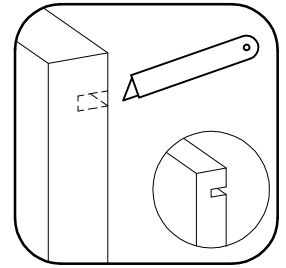
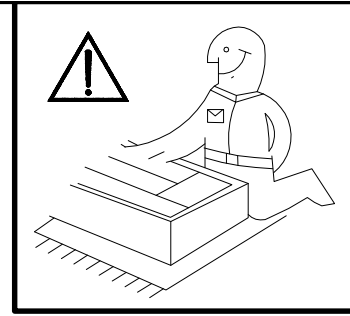
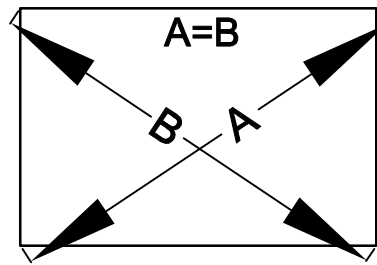
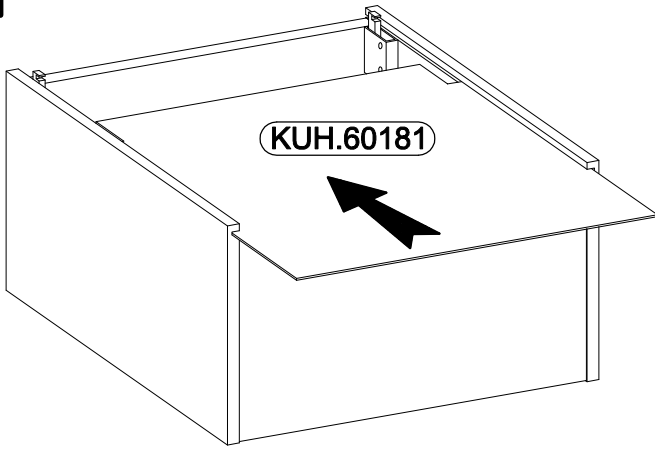


3

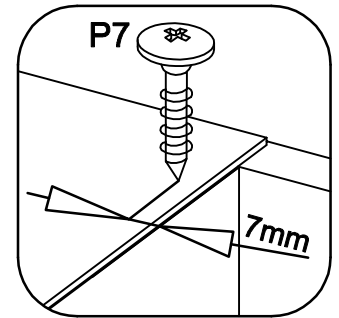
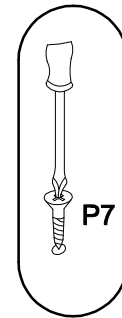
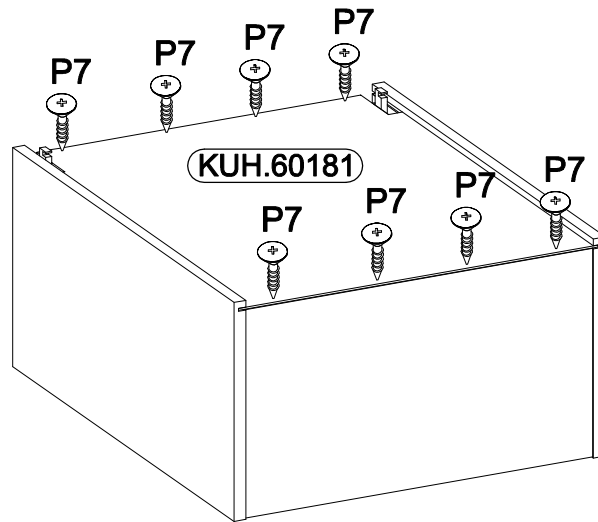
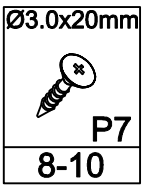
| | | |
|---|---|---|
| 6,4 x 50mm | | |
|  |  |  |
| B | O | E1 |
| 4 | 1 | 4 |



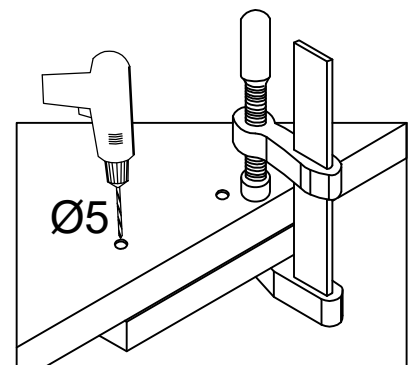
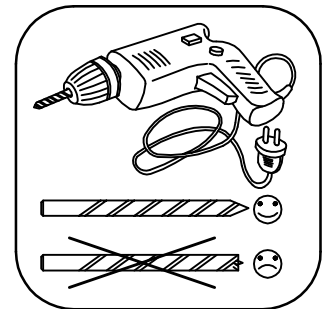
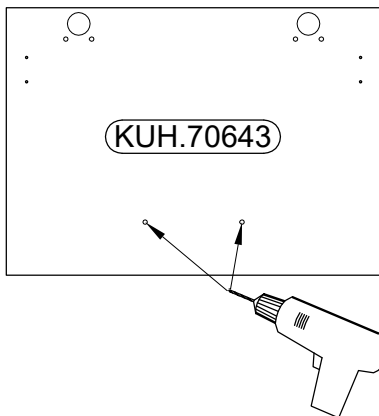
4





5

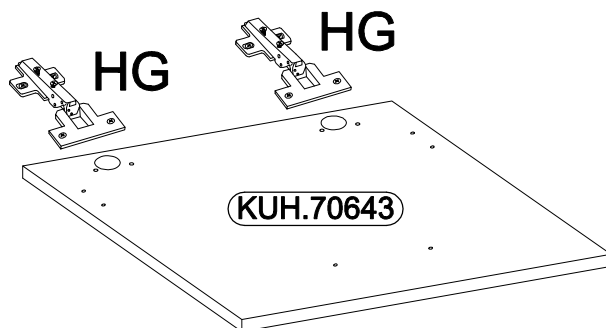
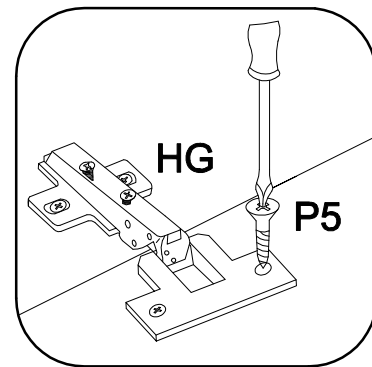


6

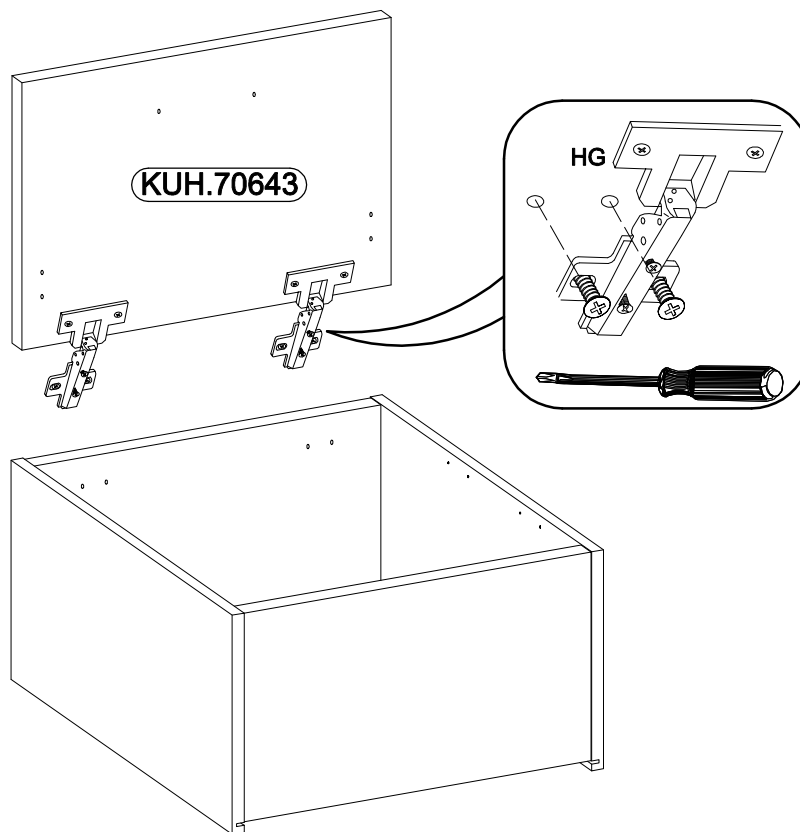


7

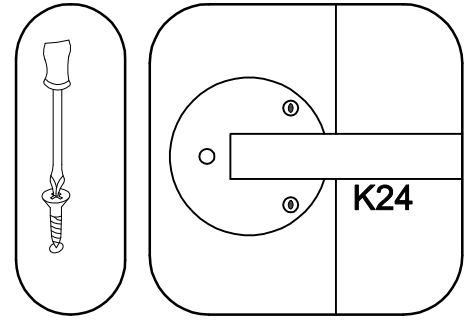
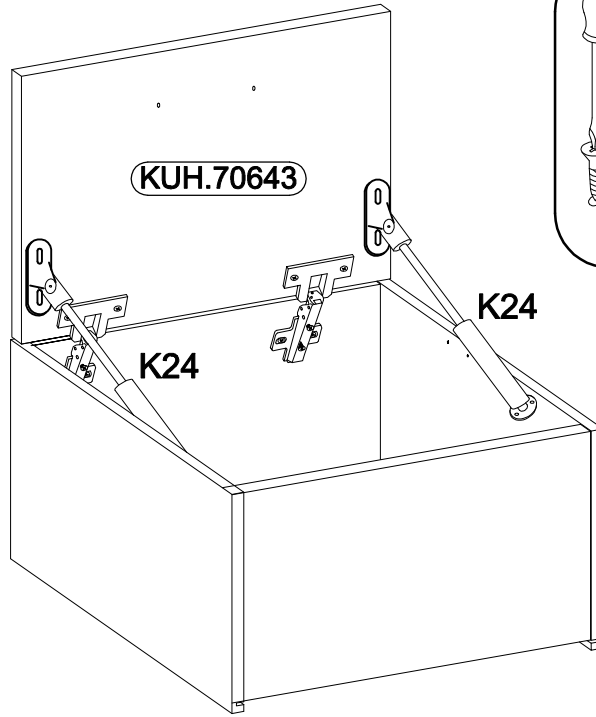
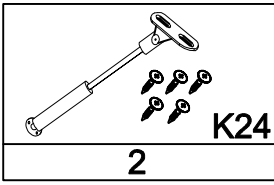
| | |
|--|--|
| Ø35/0mm | Ø3.5x13mm |
|  |  |
| [CD] HG | P5 |
| 2 | 4 |



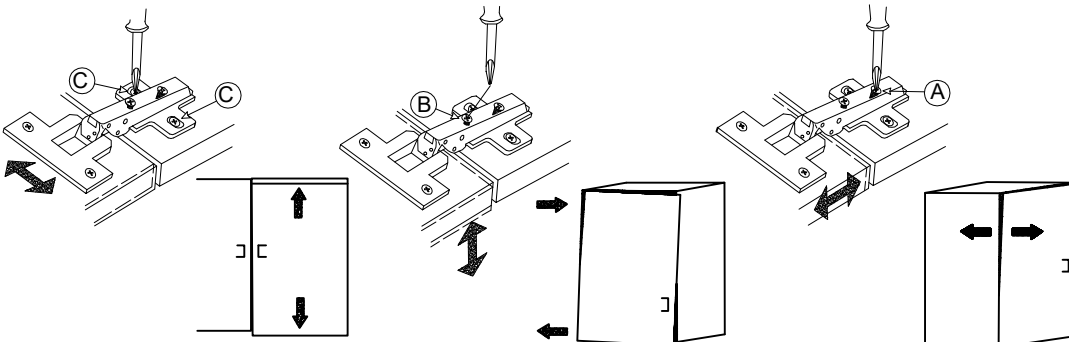
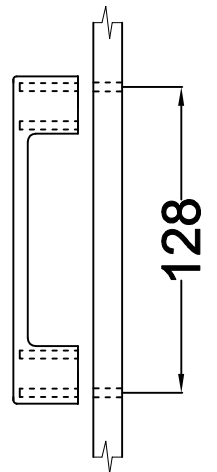
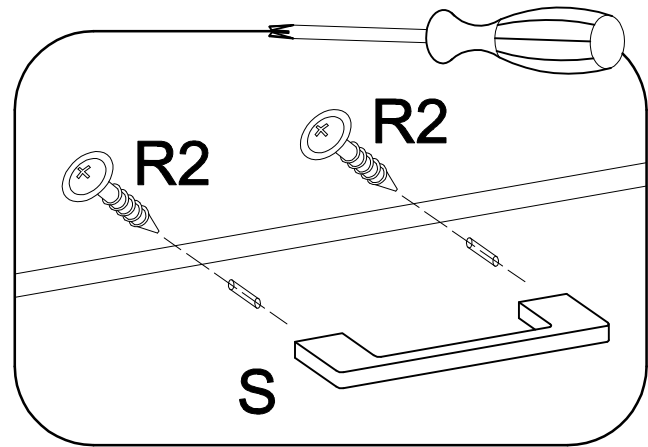
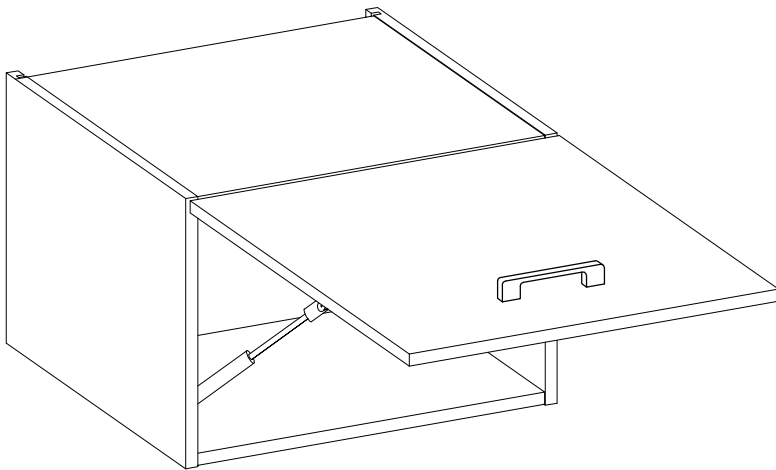
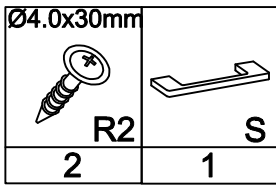
8

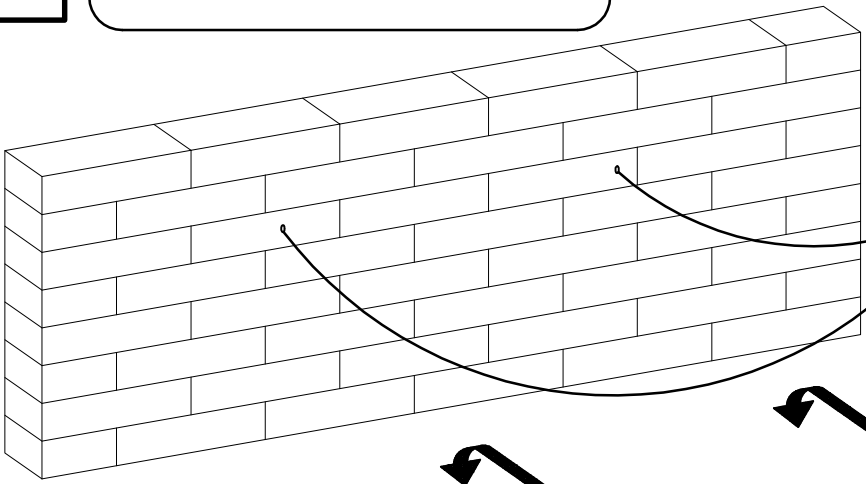
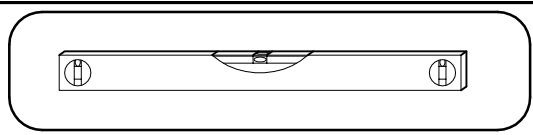


9

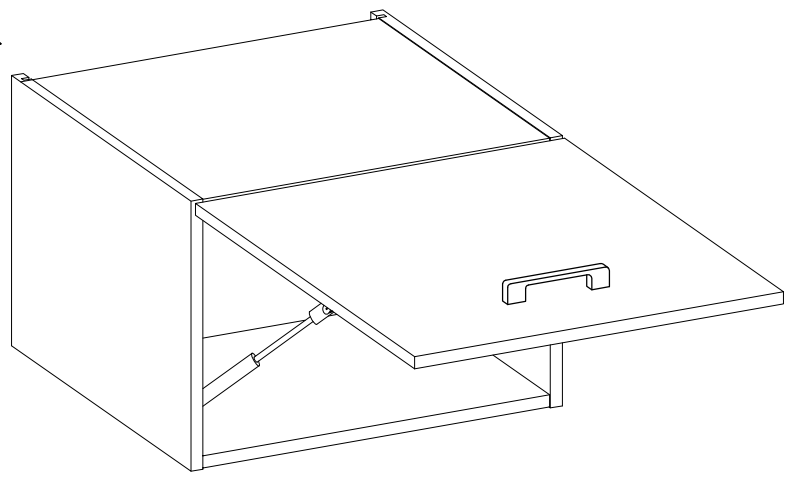
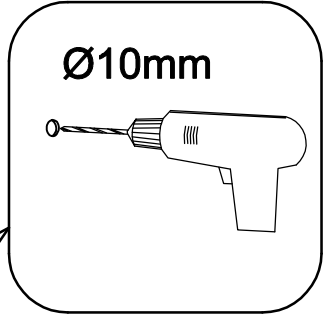


10

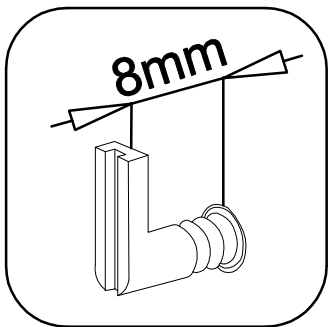
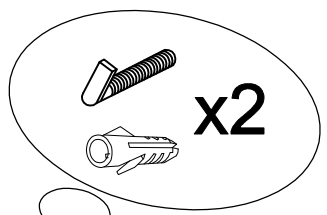
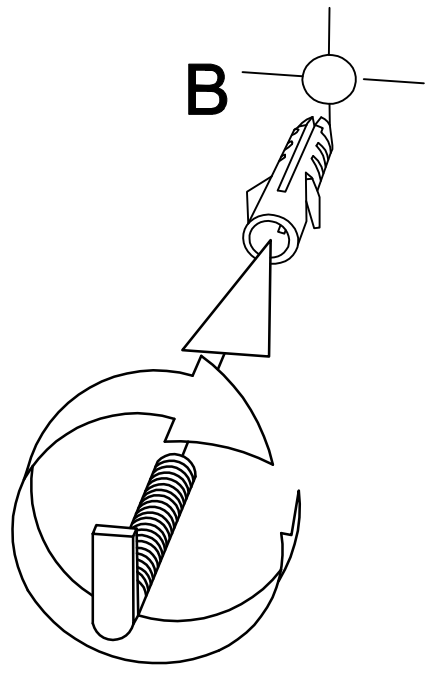




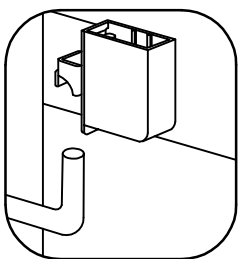
A



B



C



D

