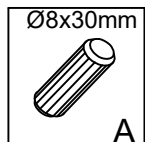
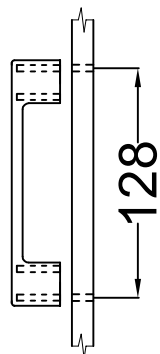
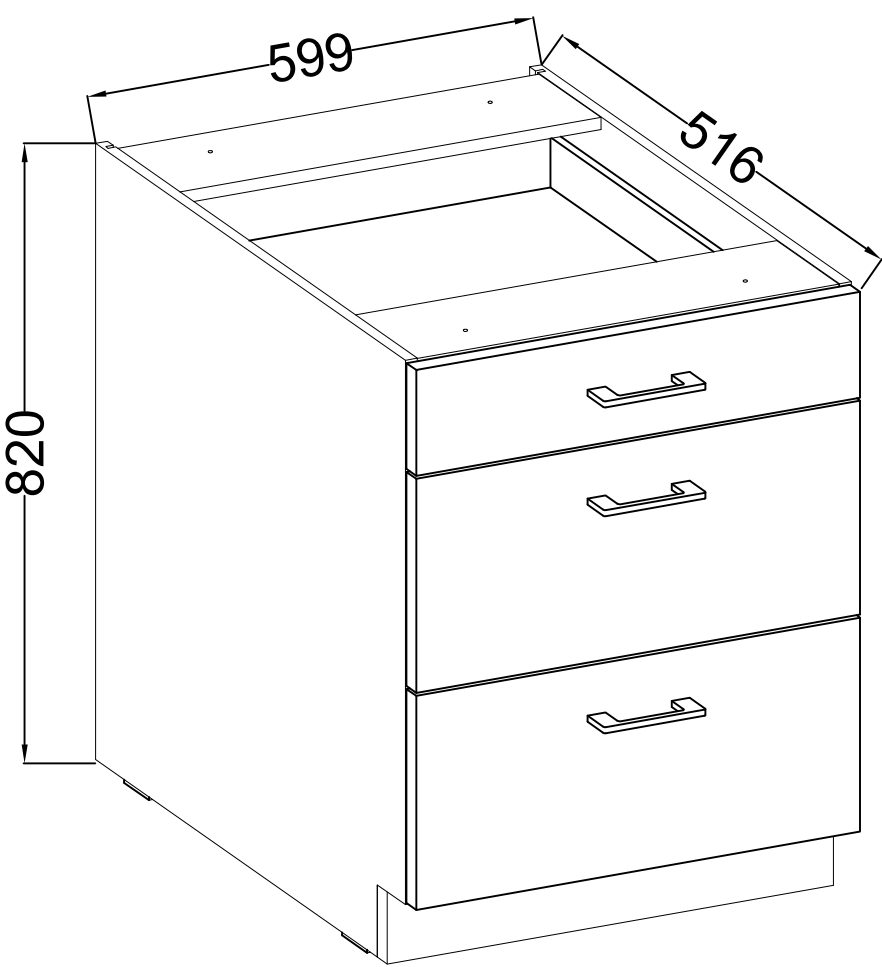
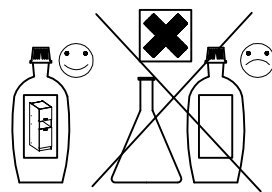
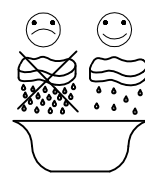
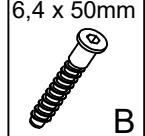


60 D 3S -  
QUADRO



20



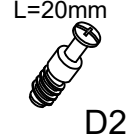
8



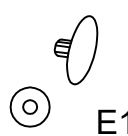
10



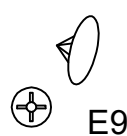
6



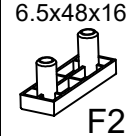
6



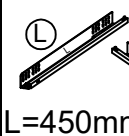
8



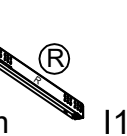
2



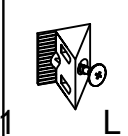
4



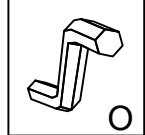
3



6



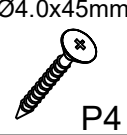
24



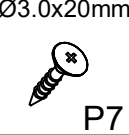
1



1



2



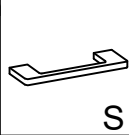
16



4

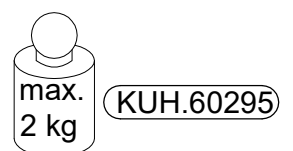
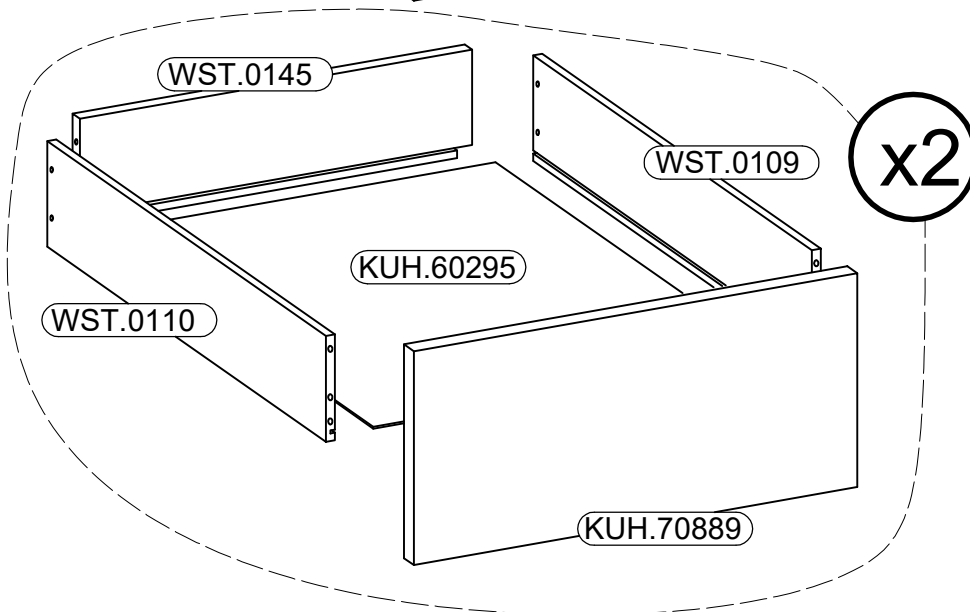
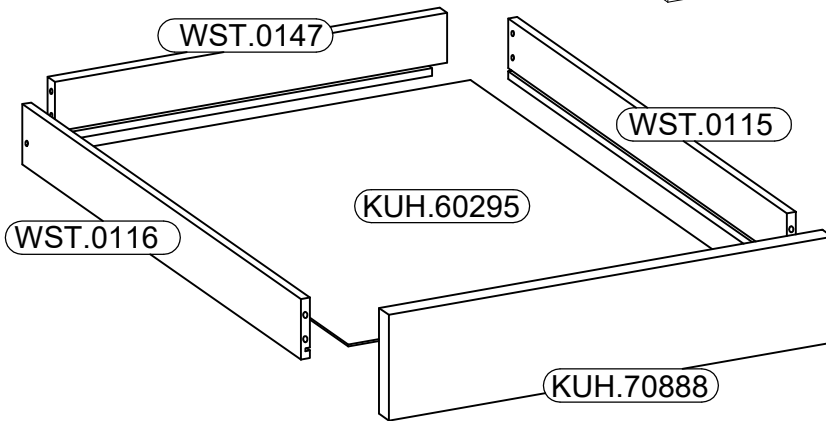
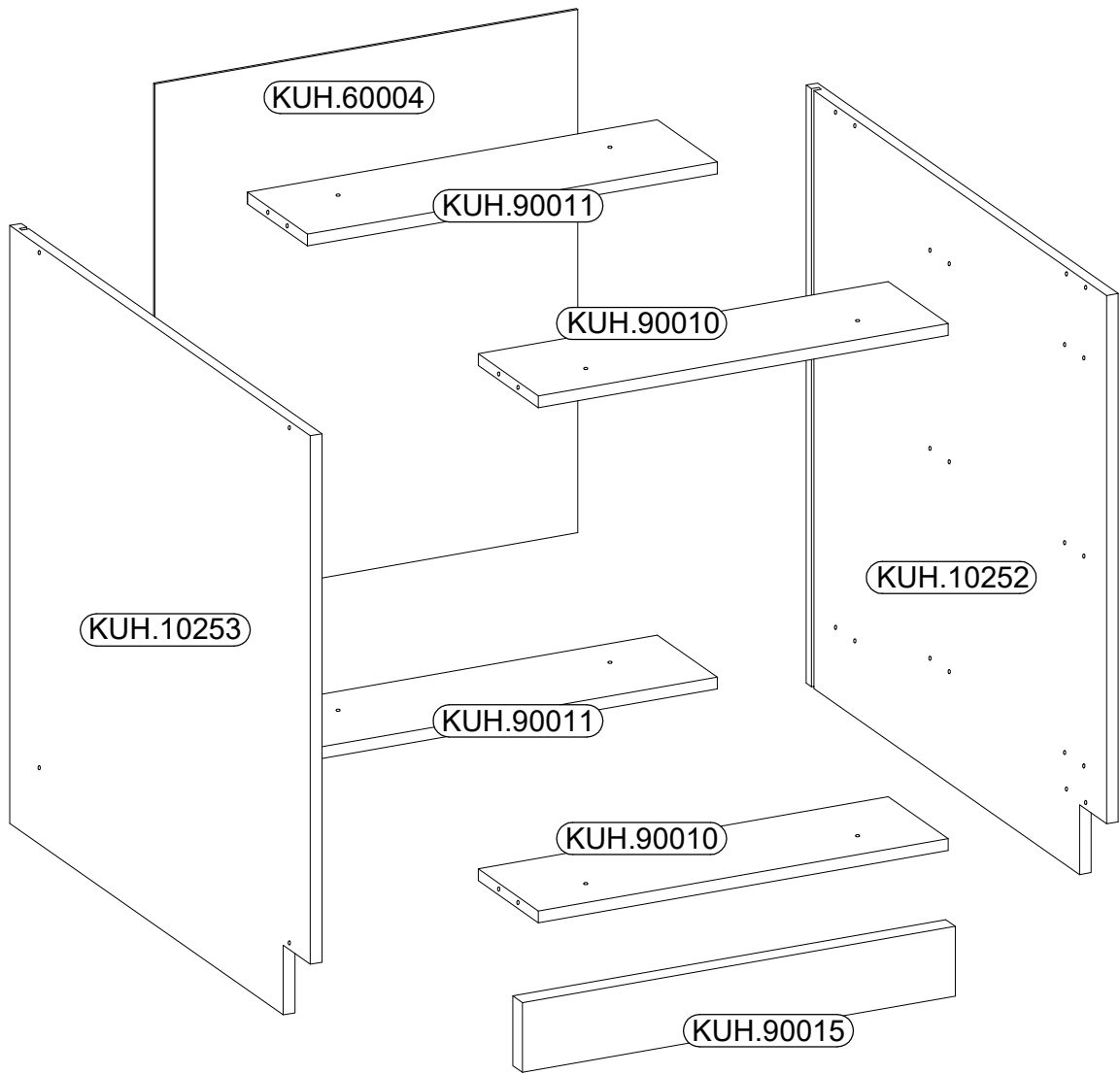


6


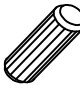



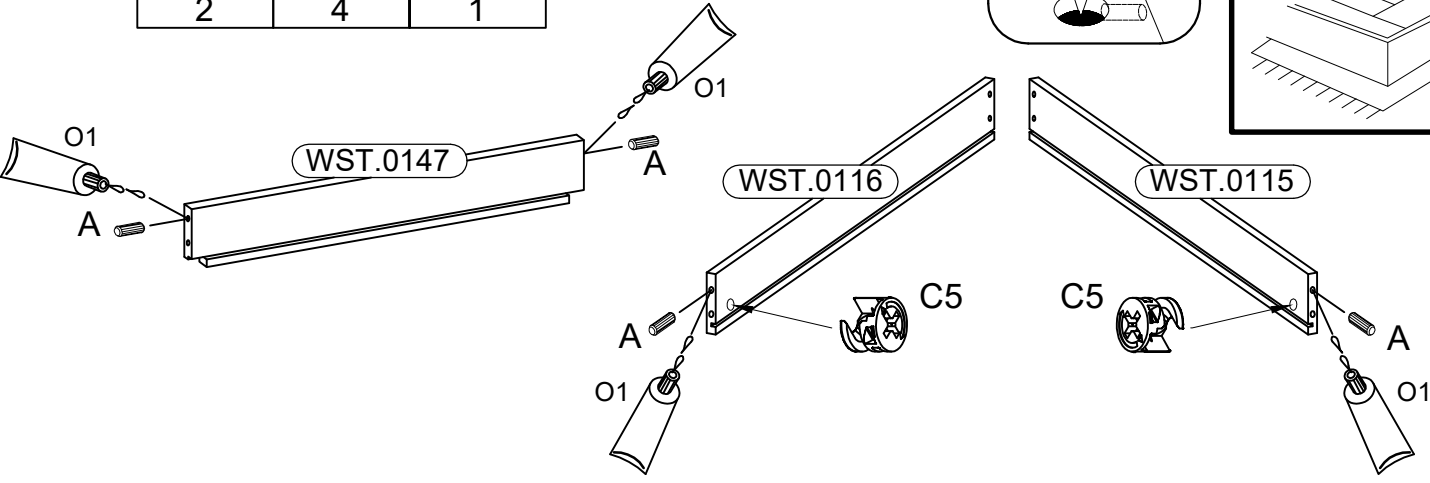
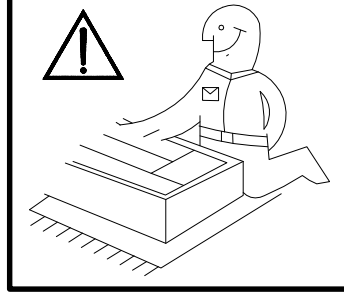
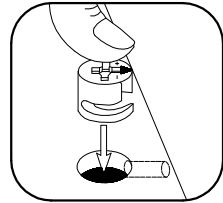
3

ISM-KUH-01542





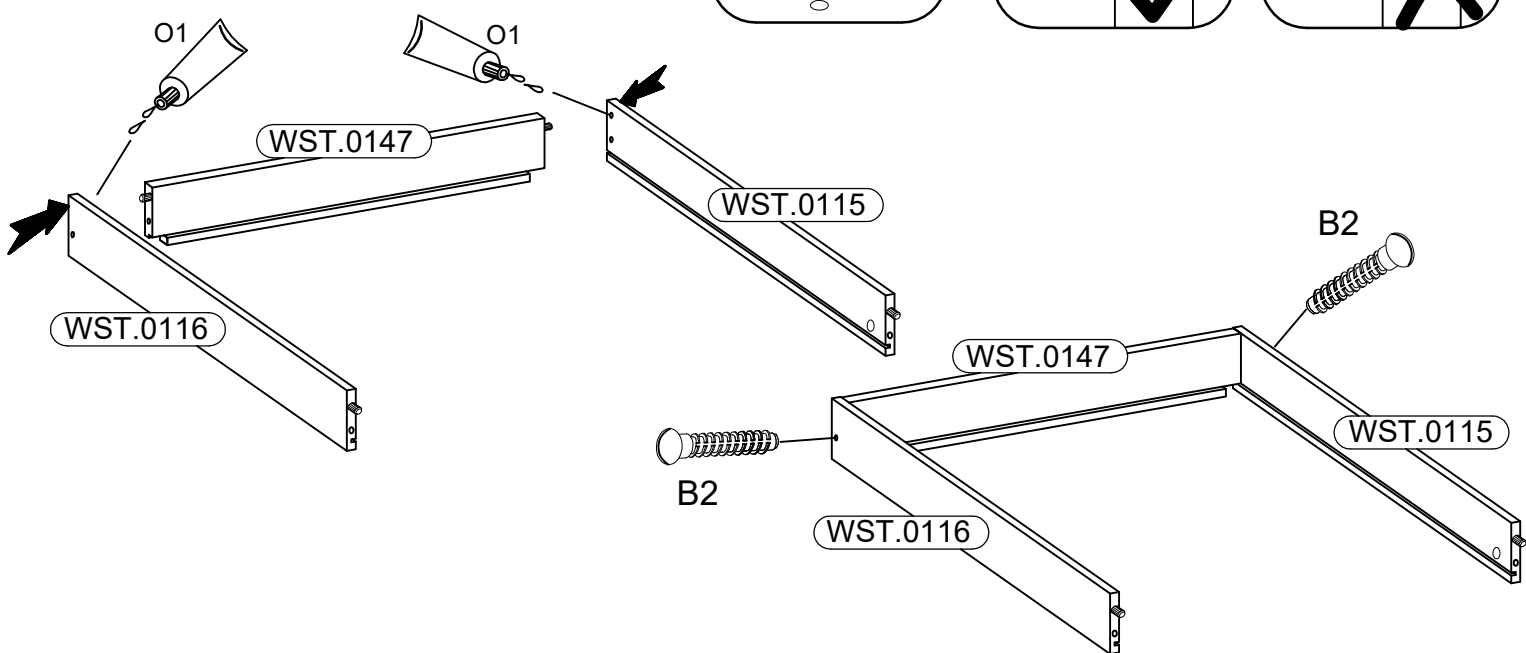
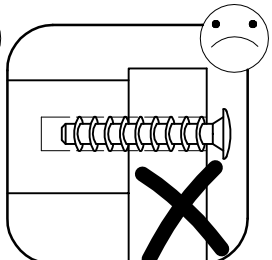
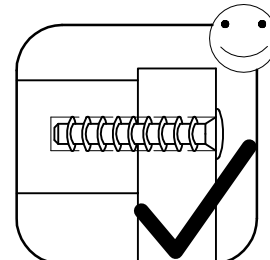
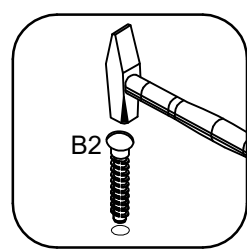
# 1

Ø12/10mm  C5 2	Ø8x30mm  A 4	 O1 1
---	---	---




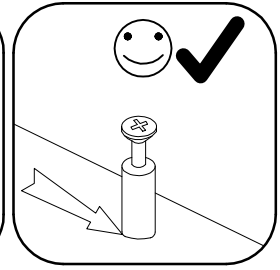
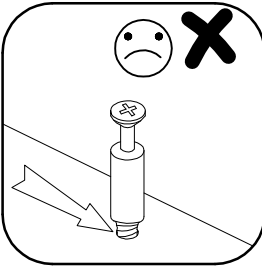
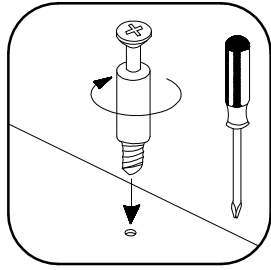
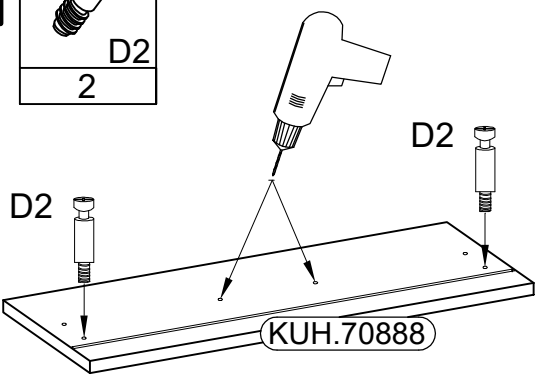
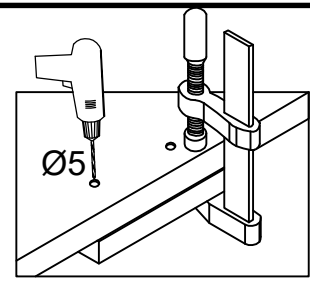
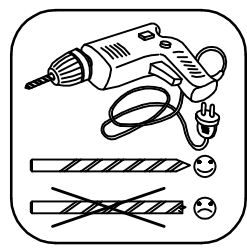
# 2

Ø6x42mm  B2 2	 O1 1
---	--

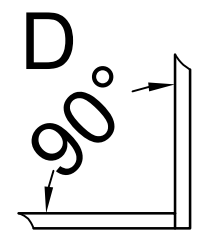
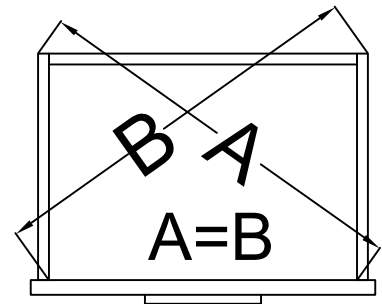
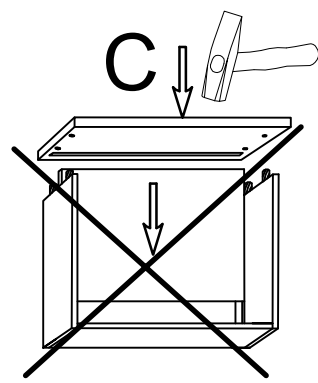
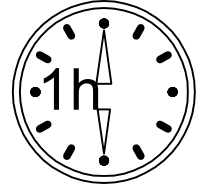
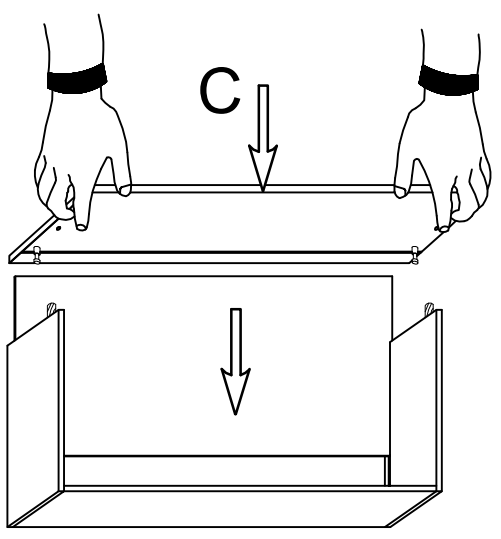
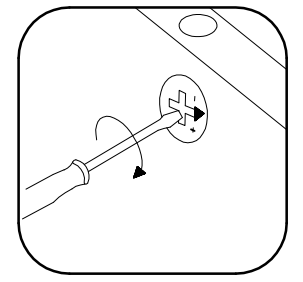
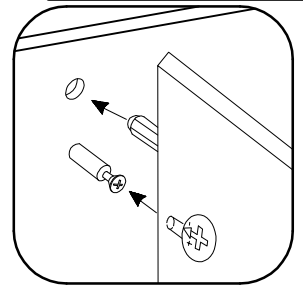
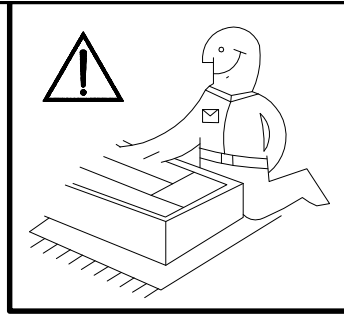
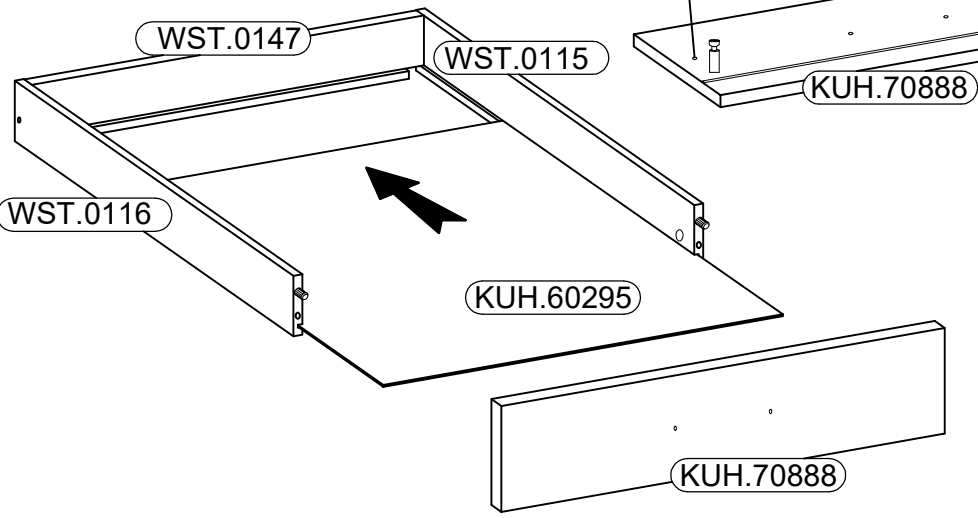
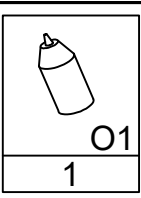


# 3

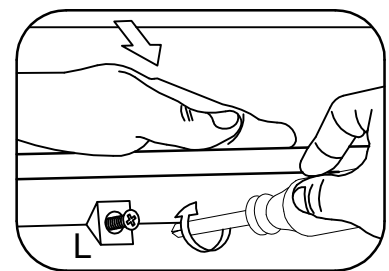
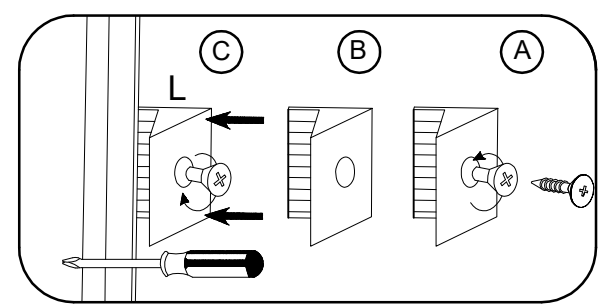
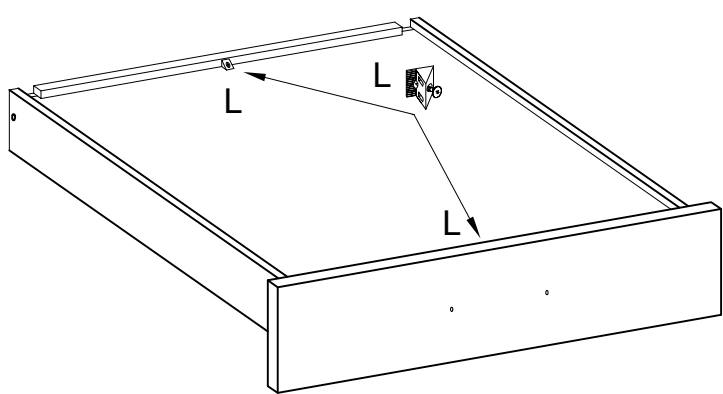
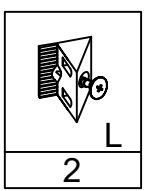
L=20mm  D2 2
--




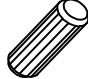

4



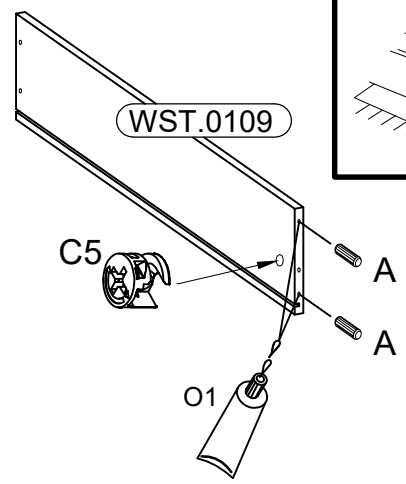
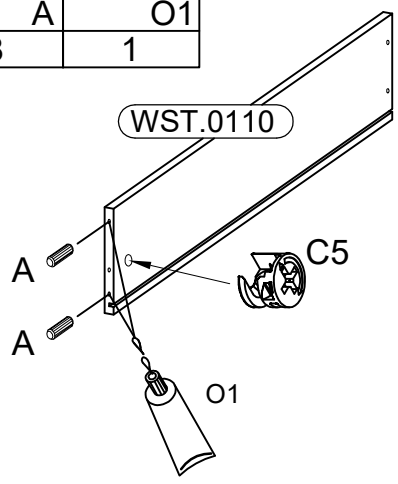
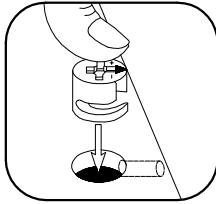
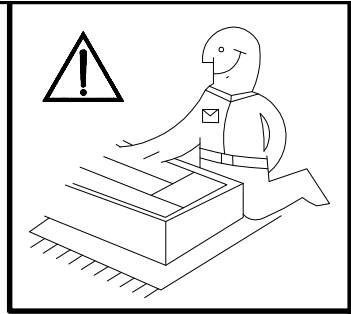
5




6

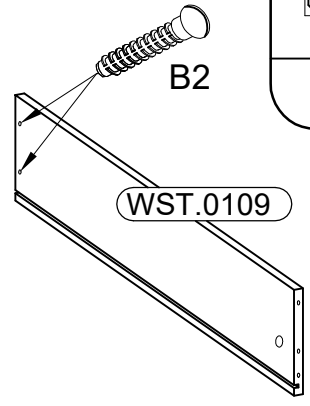
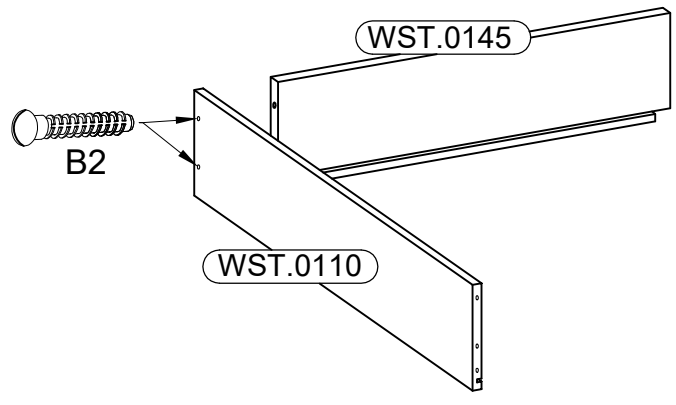
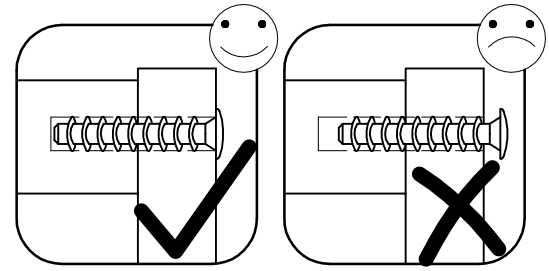
Ø12/10mm  C5 4	Ø8x30mm  A 8	 O1 1
---	---	---

x2

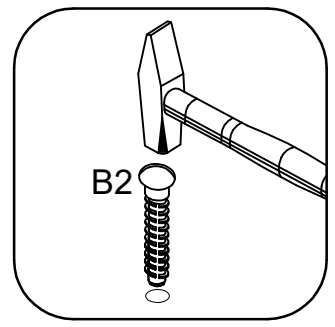


7


Ø6x42mm  B2 8
---



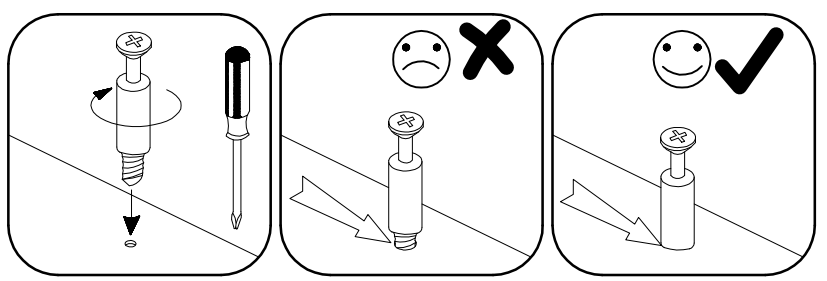
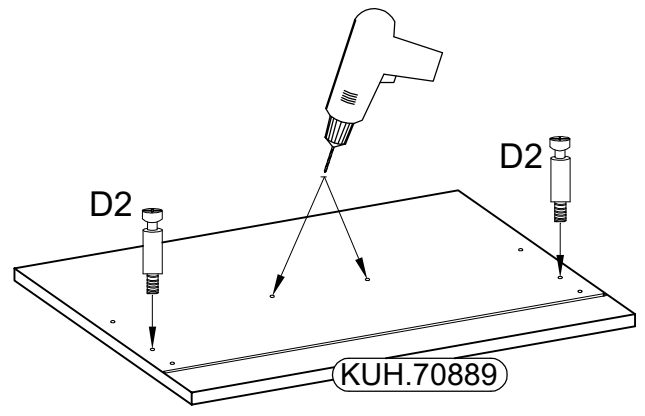
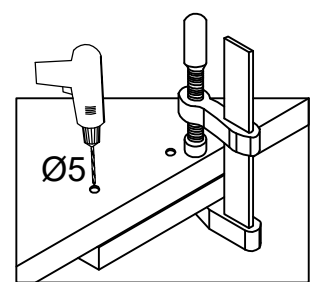
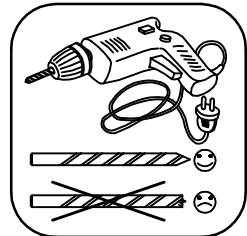
x2



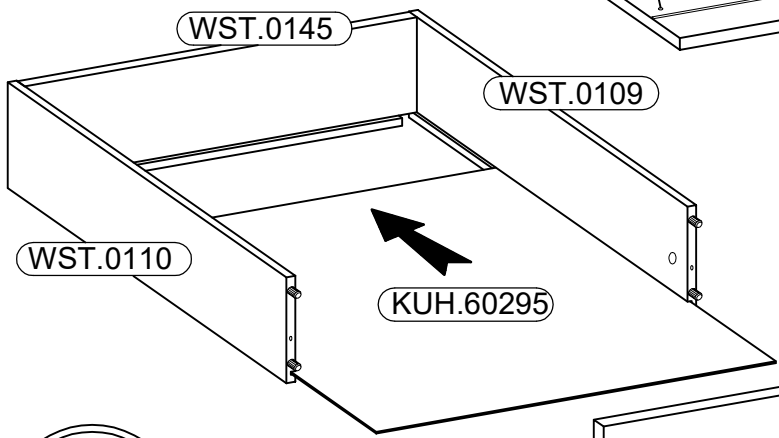
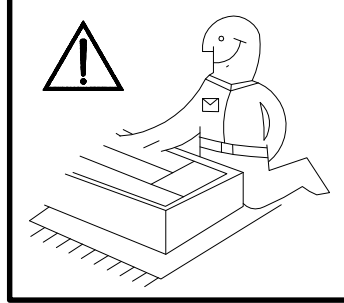
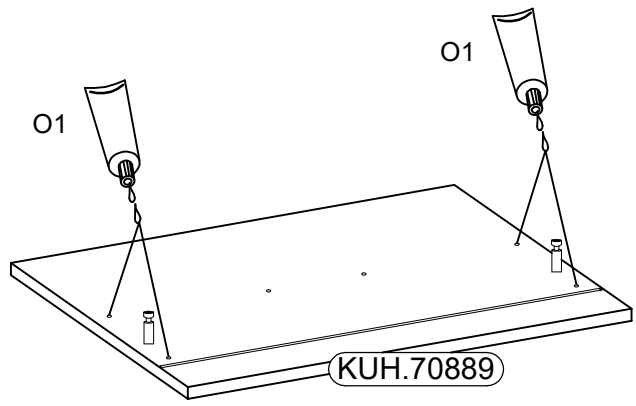
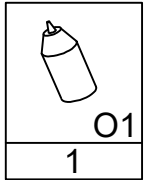
8

L=20mm  D2 4
--

x2

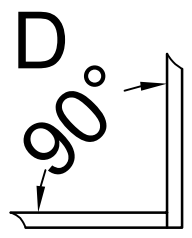
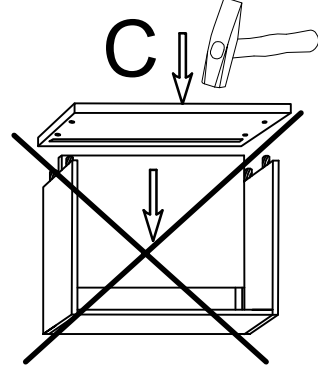
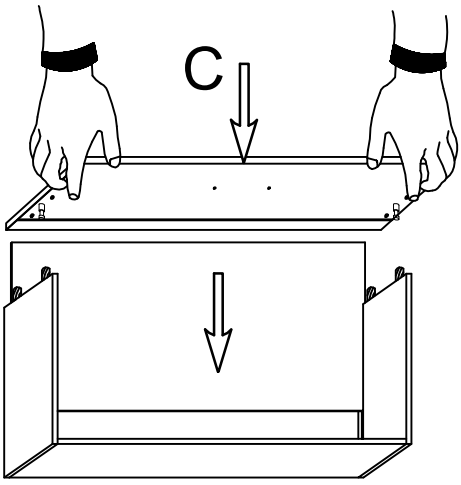
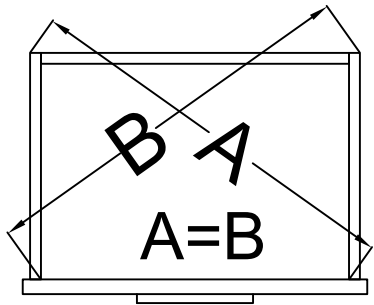
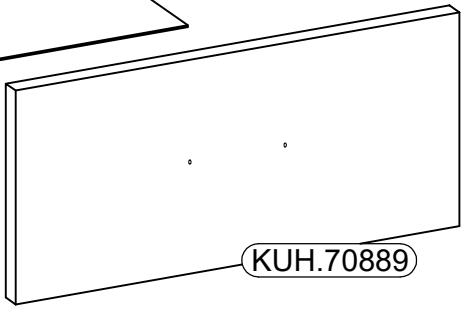
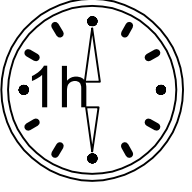
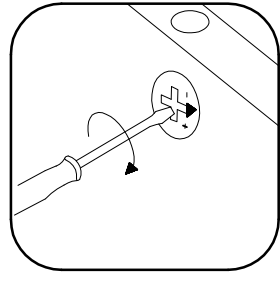
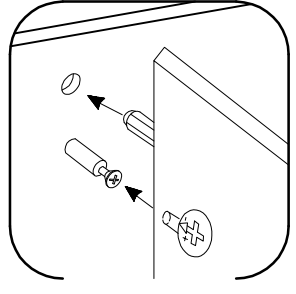


9

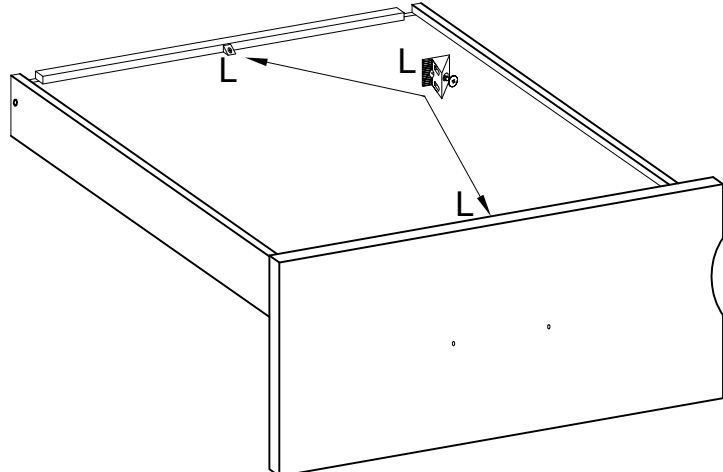
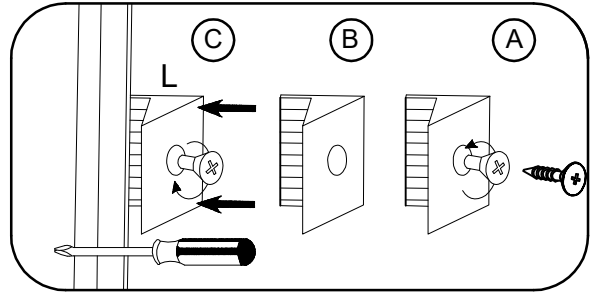
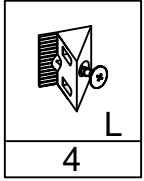


KUH.70889

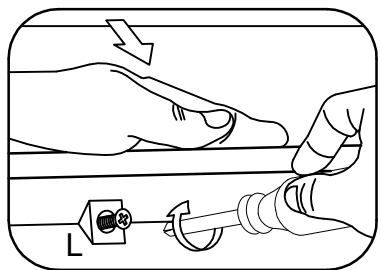
x2


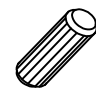




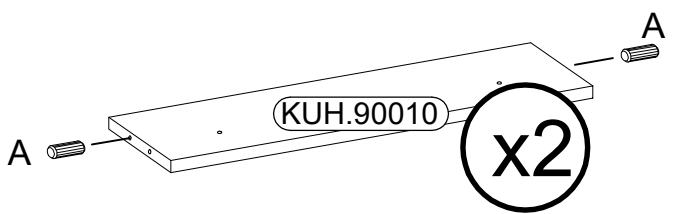
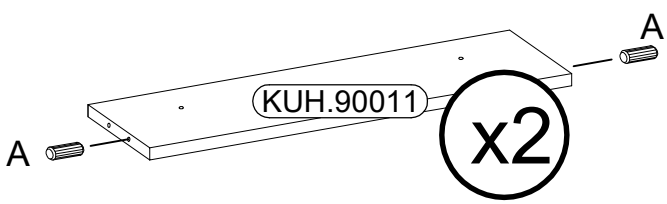
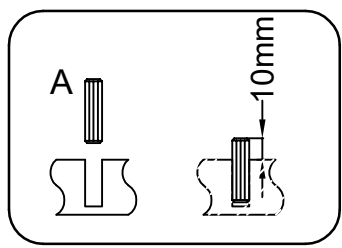
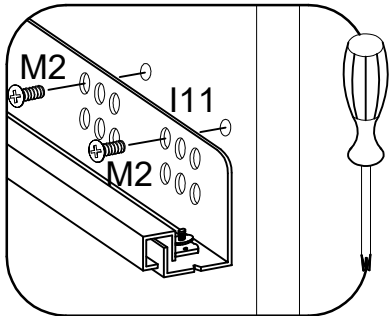
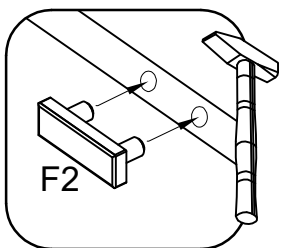
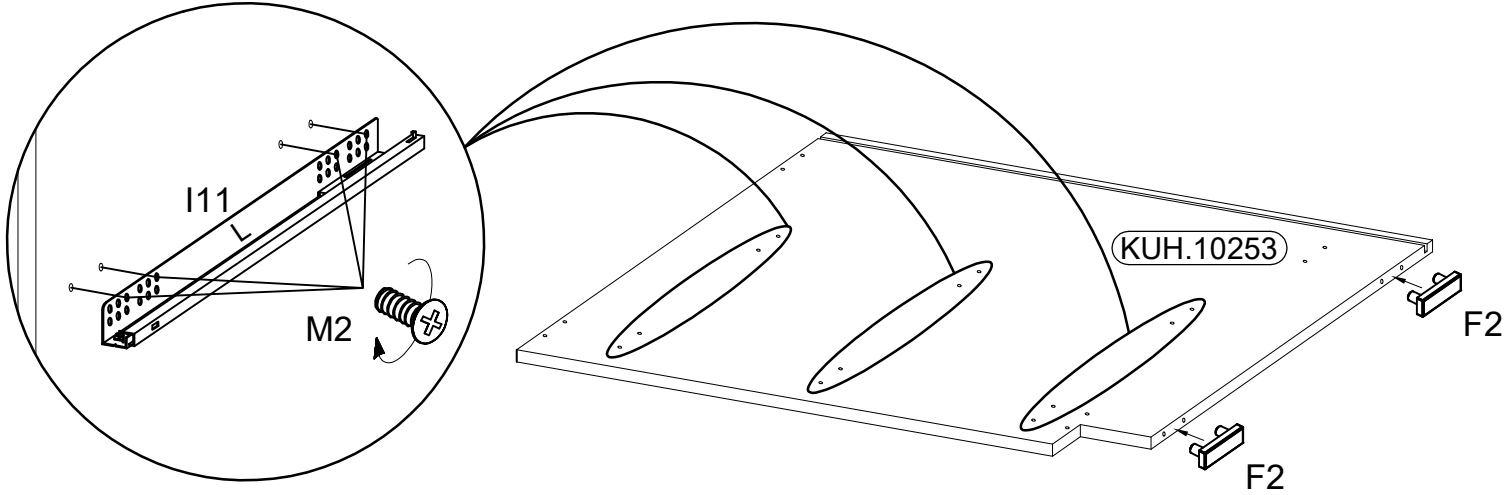
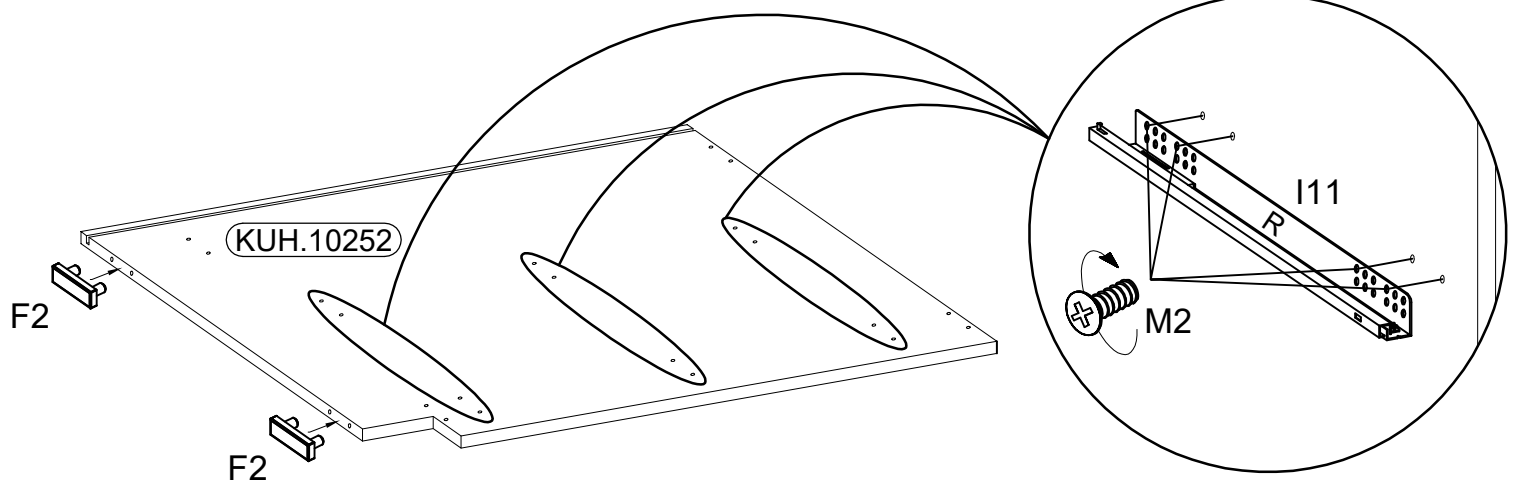
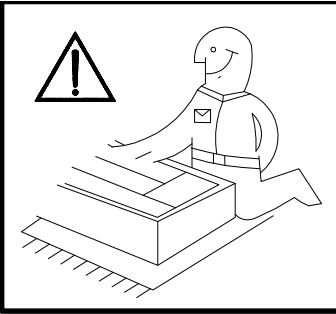
10






x2

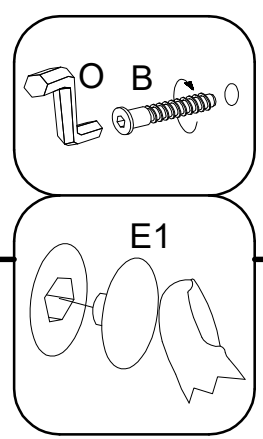
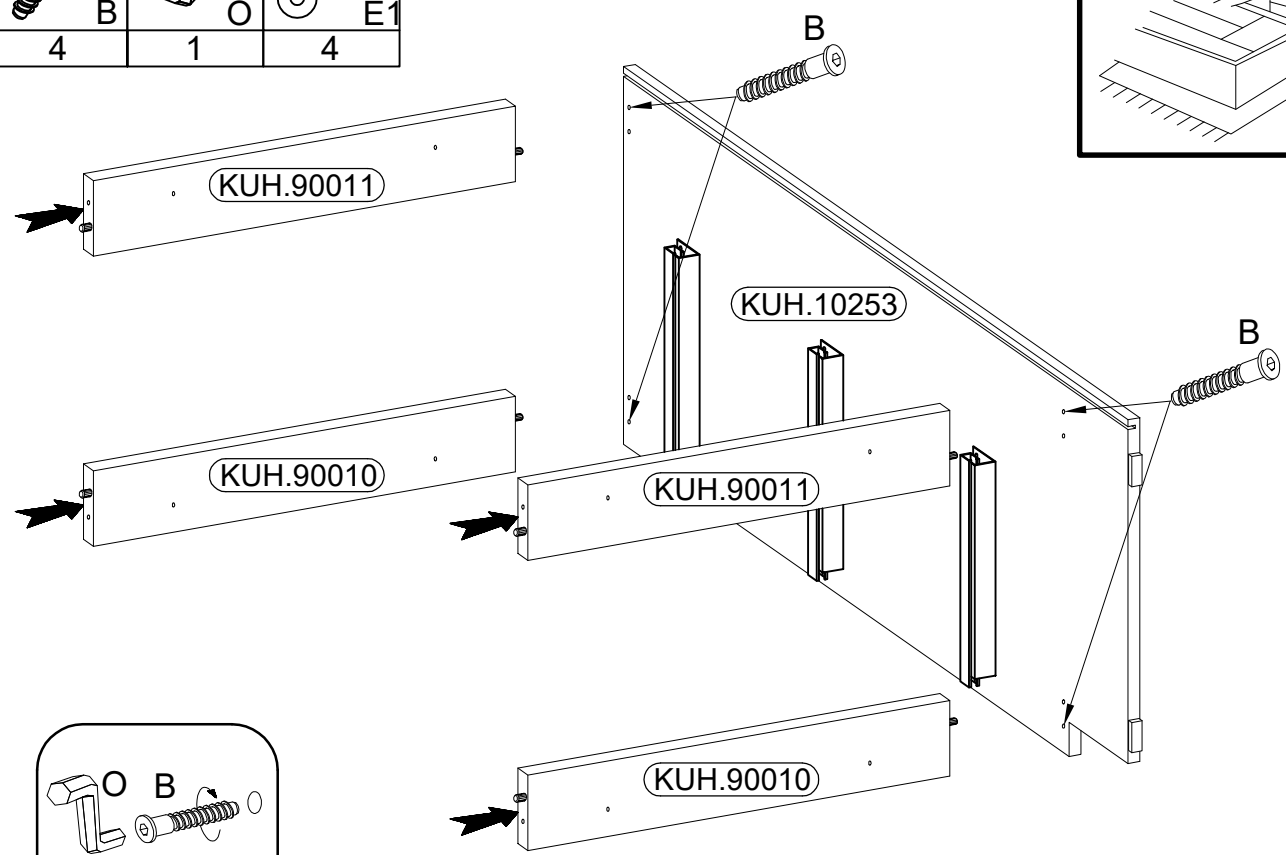
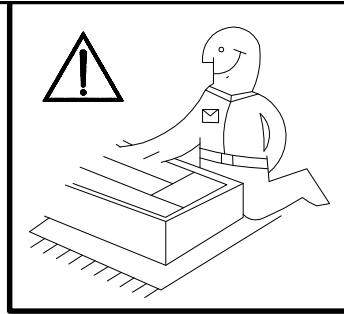


6.5x48x16  F2 4	Ø8x30mm  A 8	L=450mm  I11 3	Ø6.3x13mm  M2 24
--	---	---	---

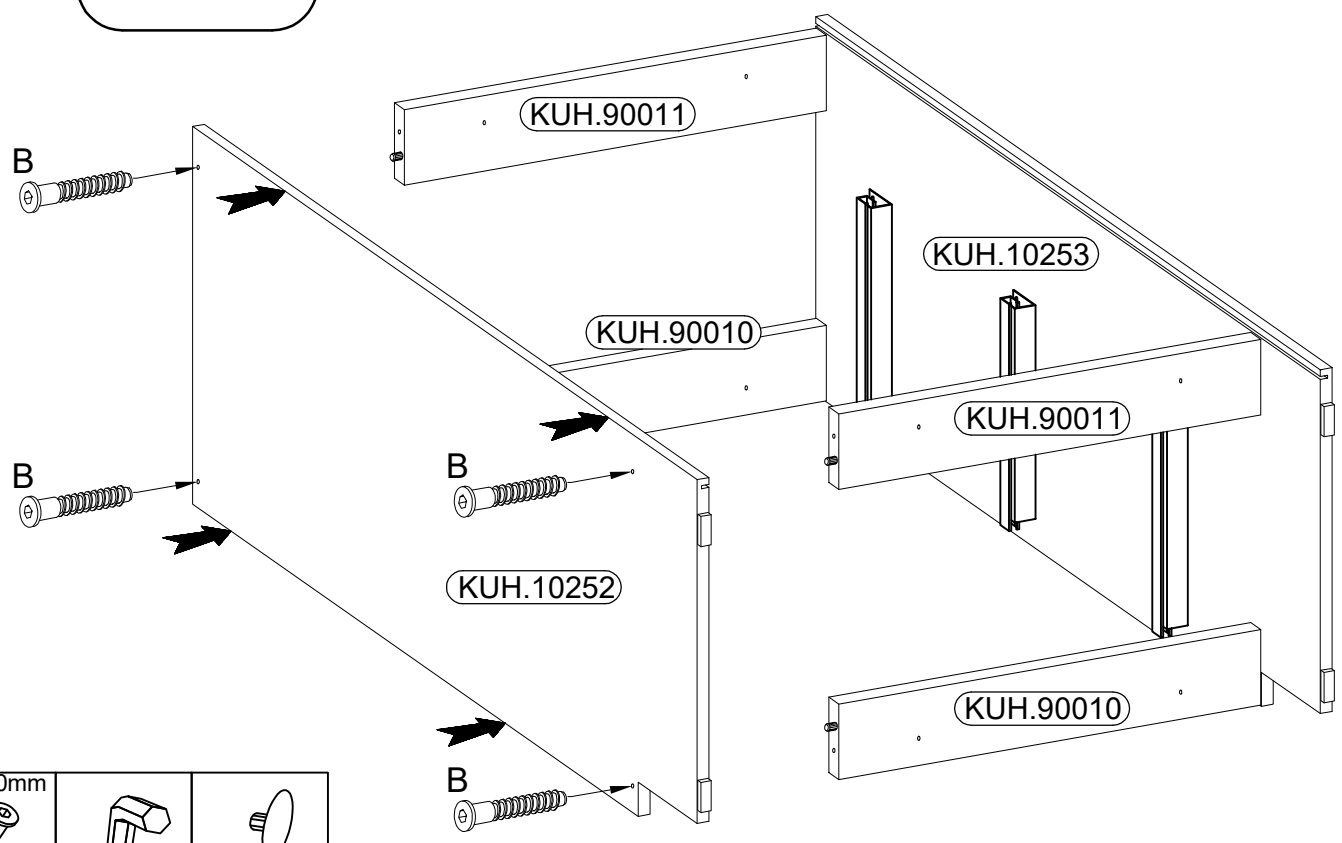





# 12

6,4 x 50mm		
		
B	O	E1
4	1	4



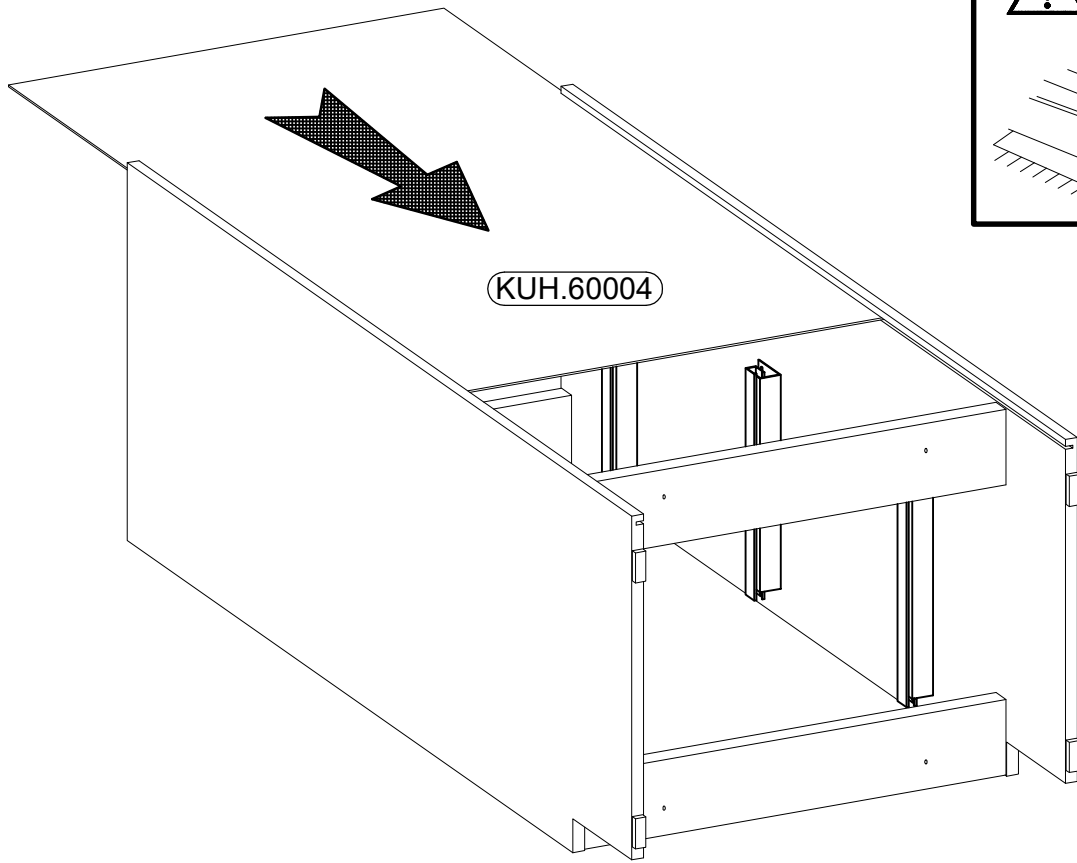
# 13



6,4 x 50mm		
		
B	O	E1
4	1	4

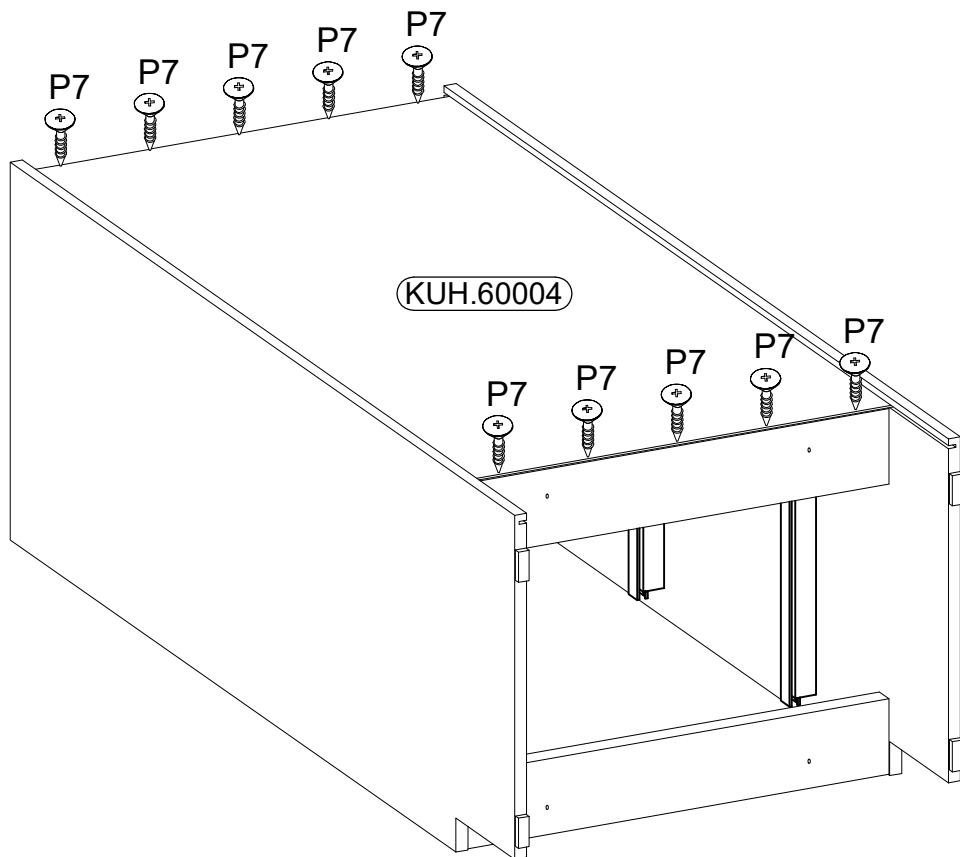
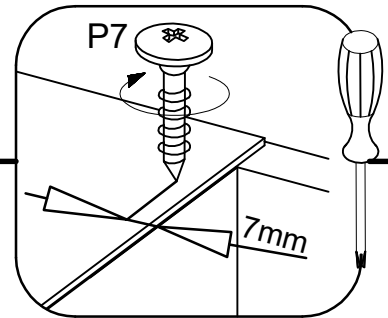
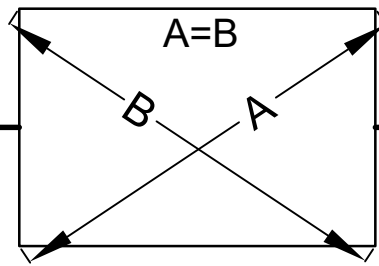
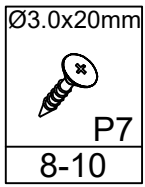


14






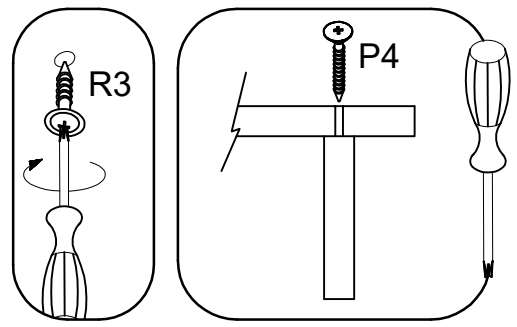
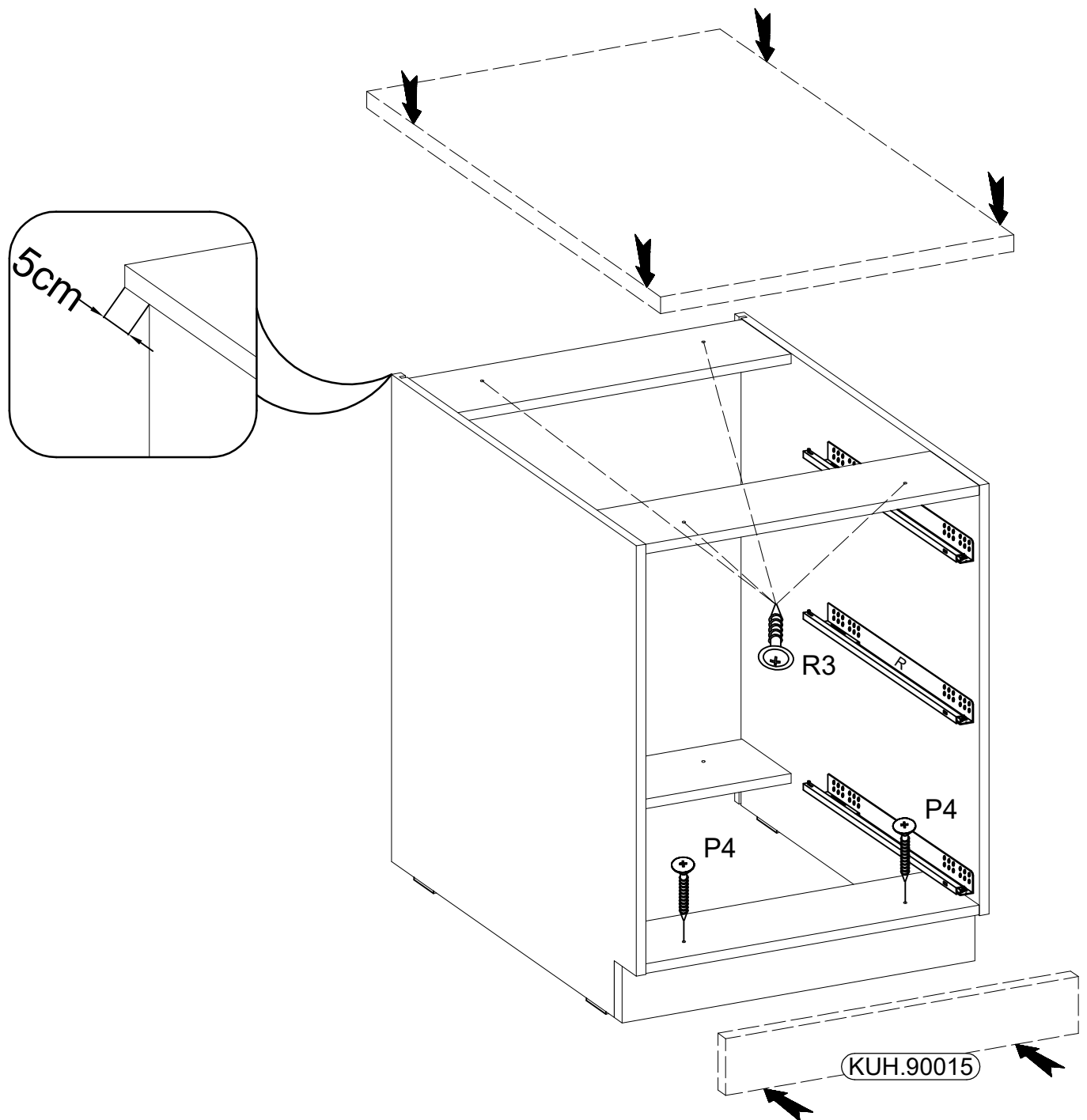
KUH.60004

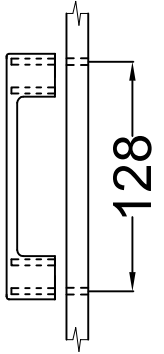
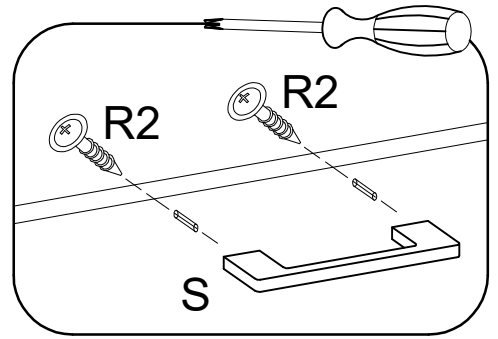
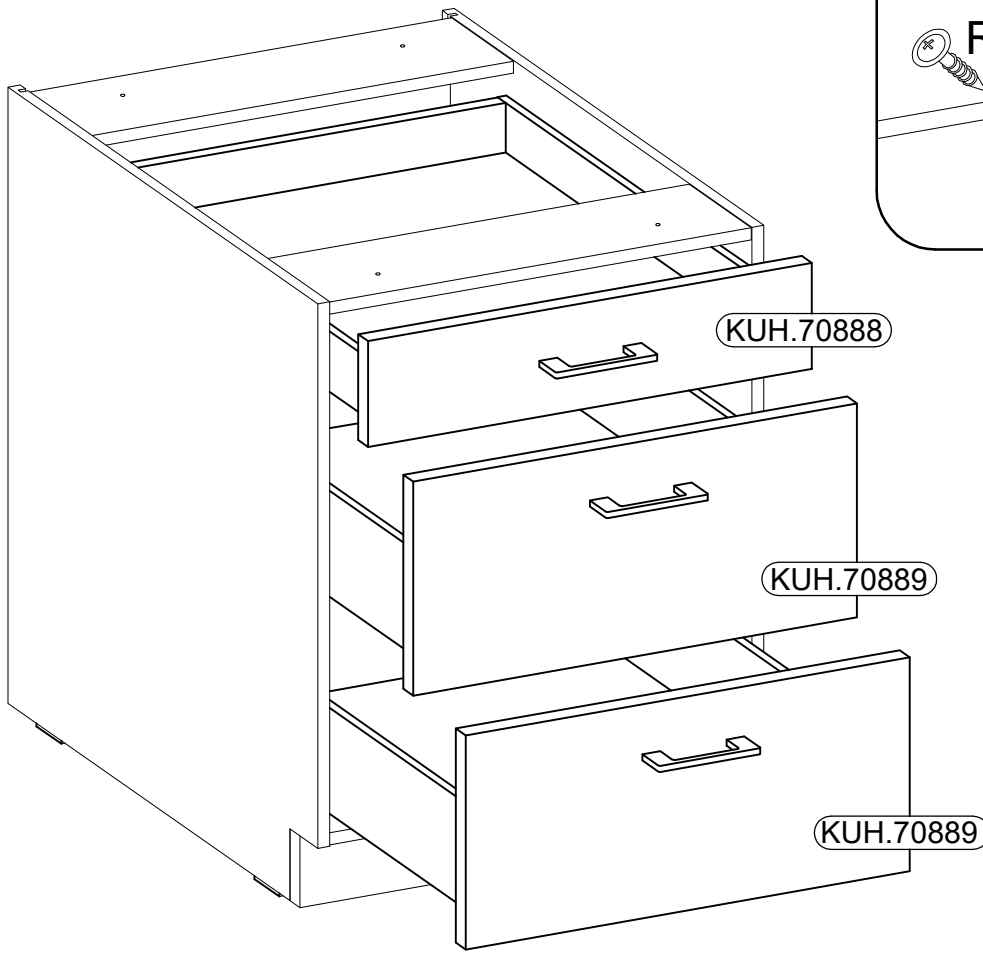
15



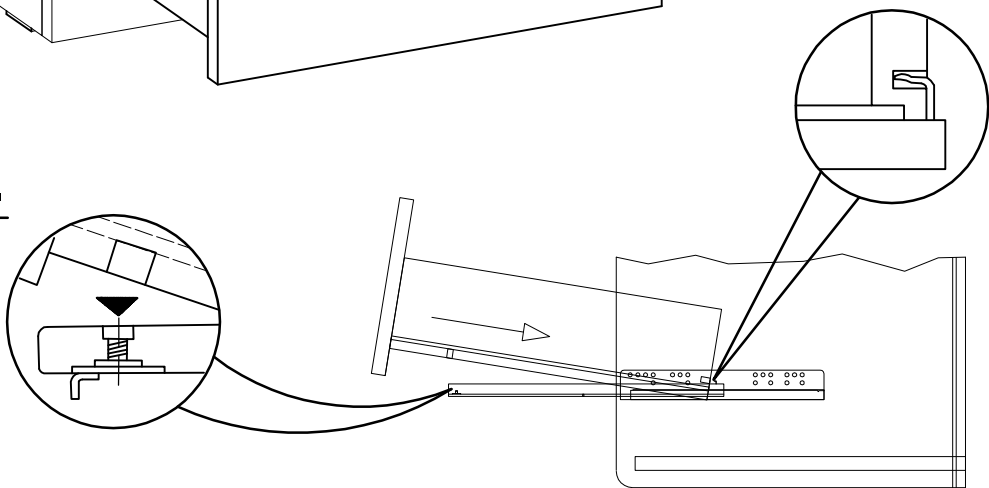
KUH.60004

$\varnothing 4.0 \times 45 \text{mm}$  P4 2	 E9 2	$\varnothing 4.0 \times 35 \text{mm}$  R3 4
--	---	--

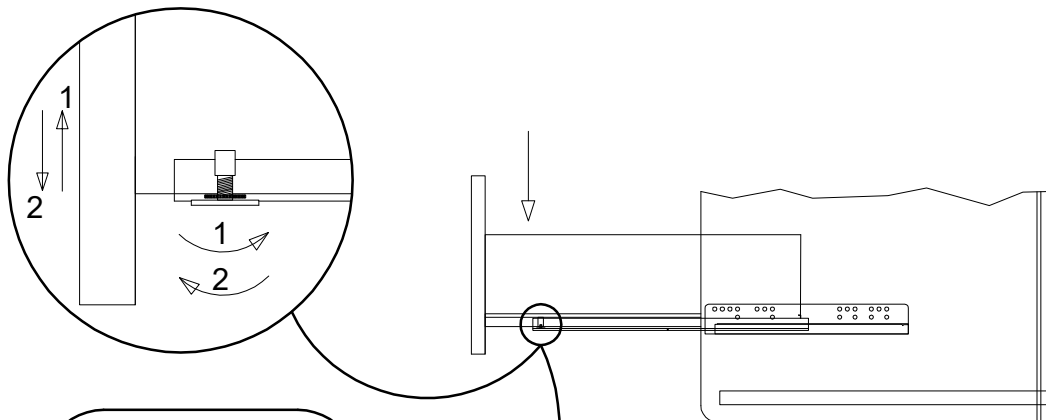




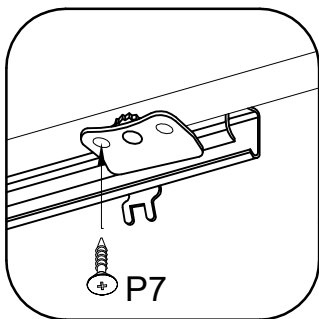
1.



2.



3.



$\text{Ø}4.0 \times 30 \text{mm}$  R2 6	 S 3	$\text{Ø}3.0 \times 20 \text{mm}$  P7 6
--	------------	--