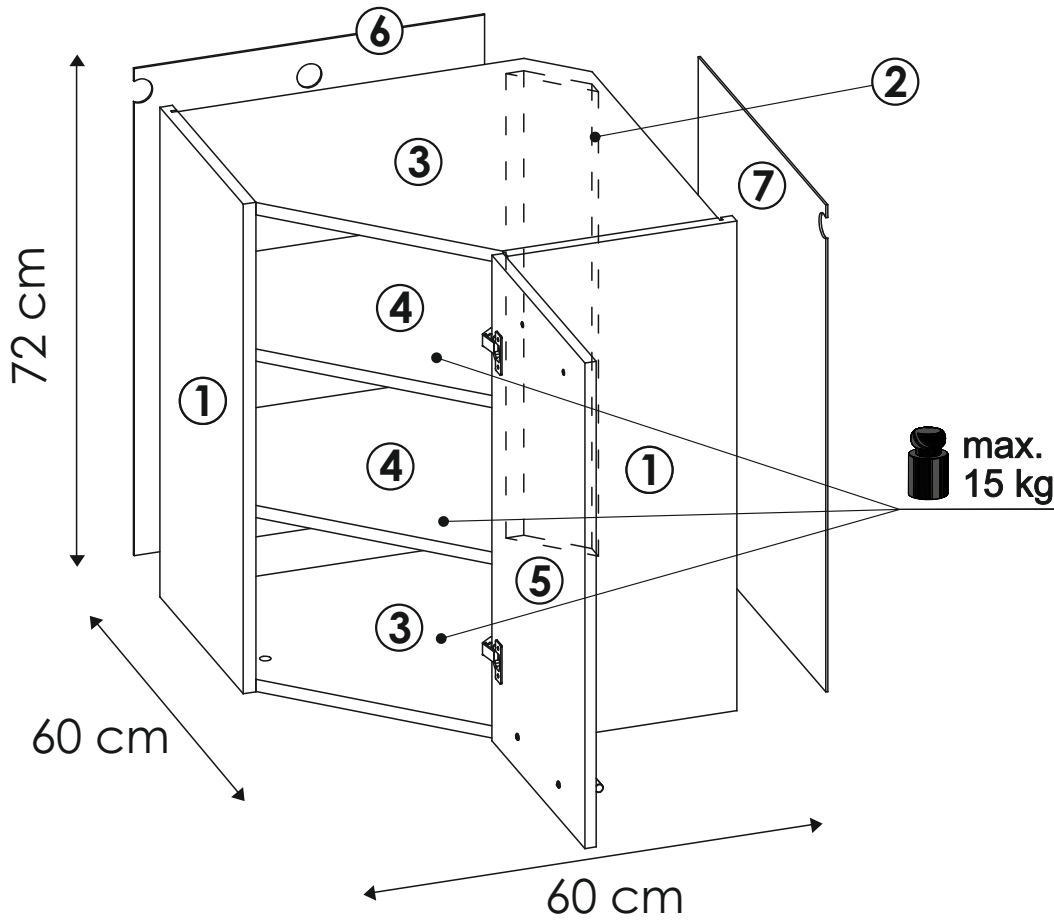
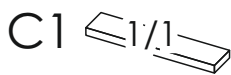
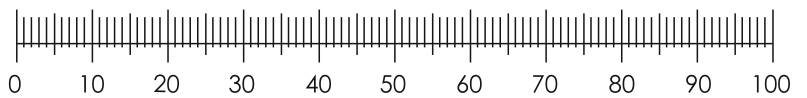


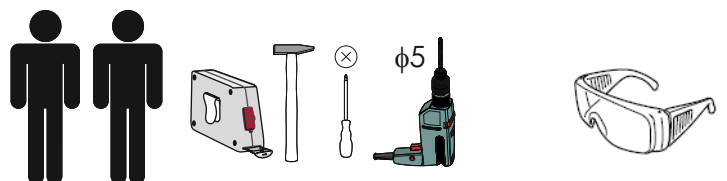
2 W10 60



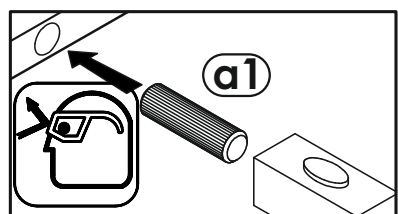
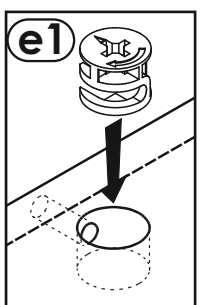
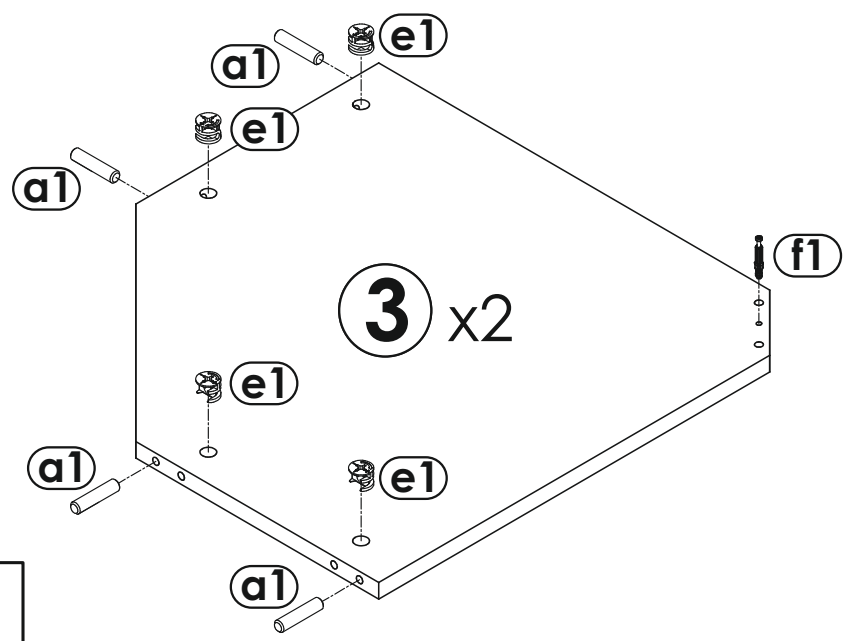
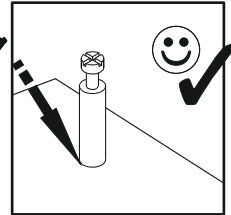
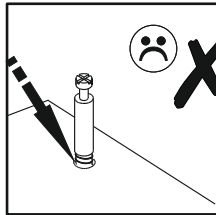
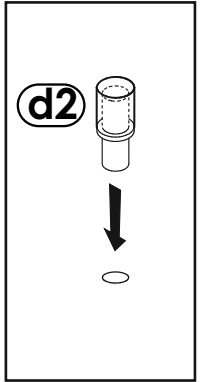
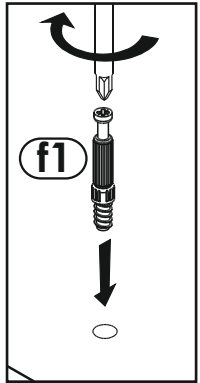
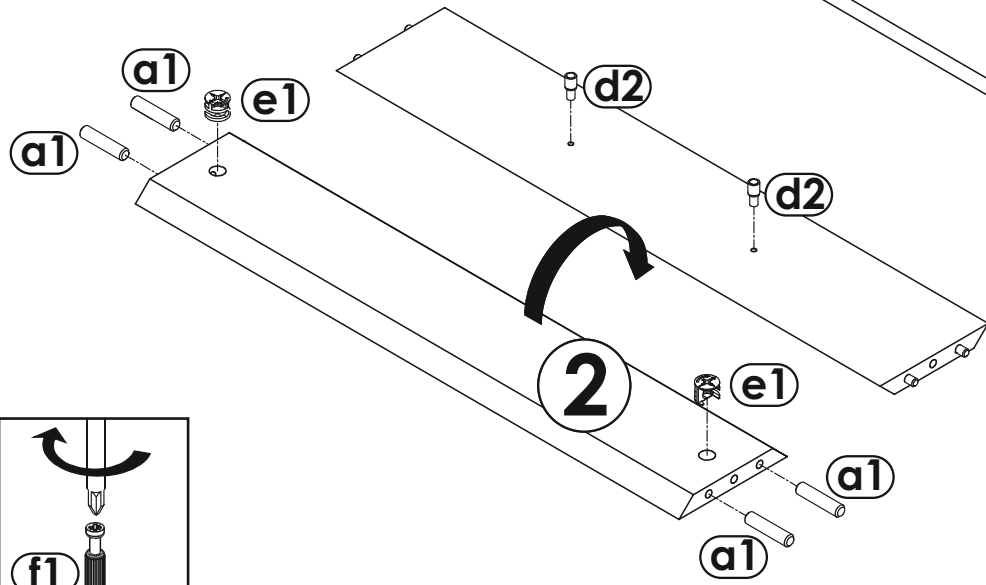
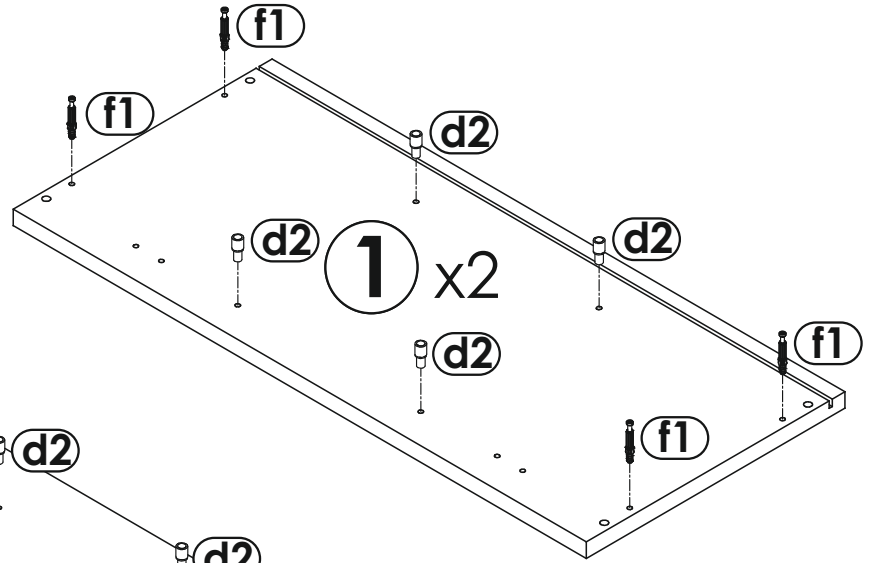
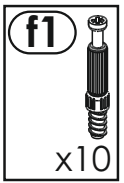
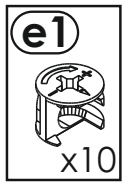
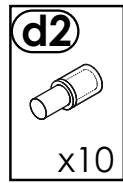
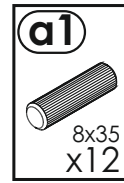
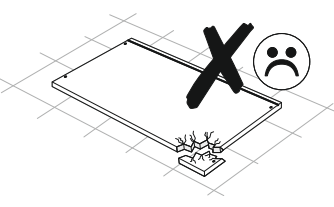
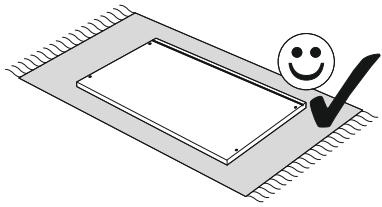
a1 8x35 x....(x12)	c1 Euro 4x13 x....(x4)	bc0 x....(x2)	bc5 x....(x2)	d2 x....(x10)	e0 x....(x10)	e1 x....(x10)	f1 x....(x10)	
h1 x....(x1)	i5 3,5x30 x....(x4)	k3 4x22 x....(x2)	m x....(x1)	n1 3x16 x....(x30)	p01 x....(x6)	p8 x....(x1)	r4 x....(x6)	w16 x....(x1)



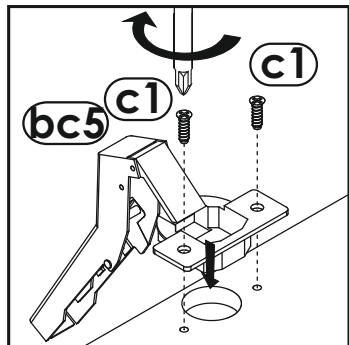
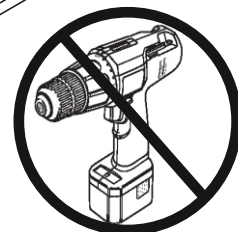
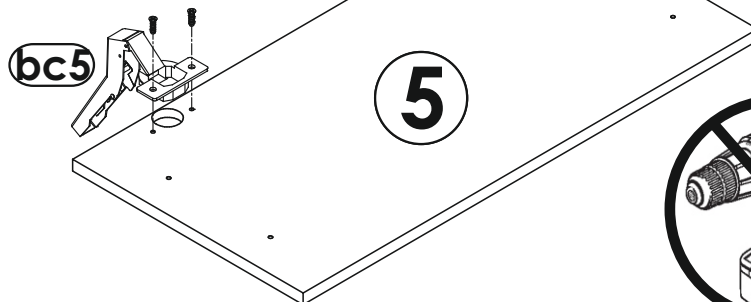
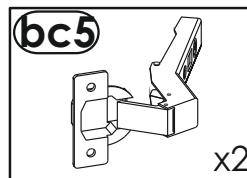
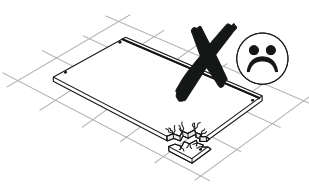
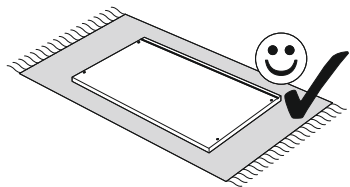
- ① -C1
- ② -C1
- ③ -C1
- ④ -C1
- ⑤ -C1
- ⑥ -C1
- ⑦ -C1



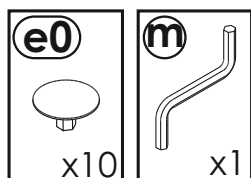
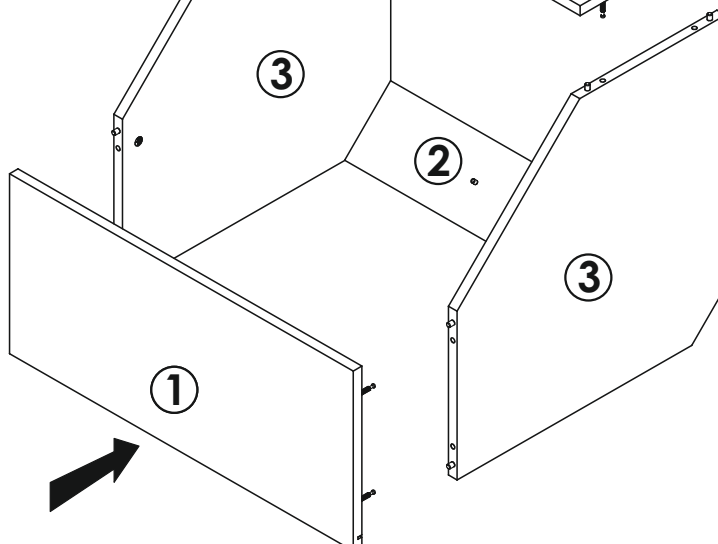
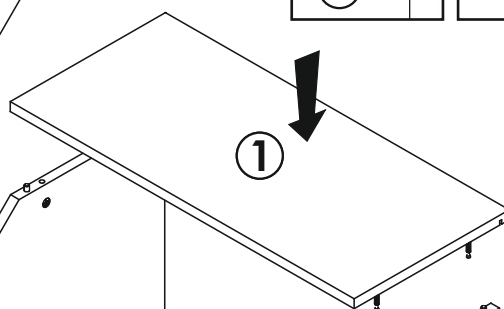
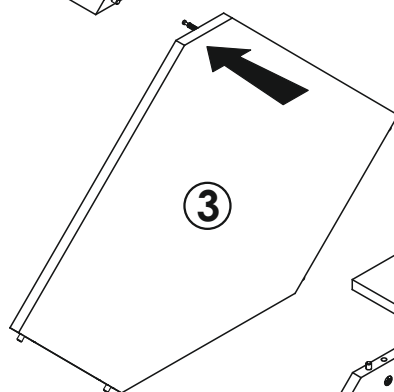
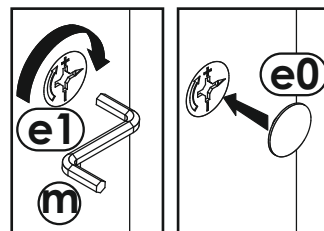
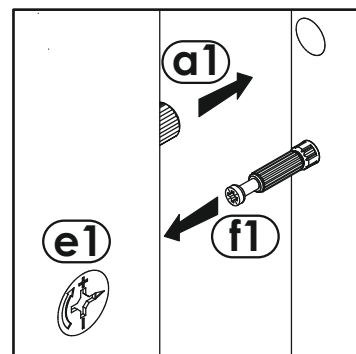
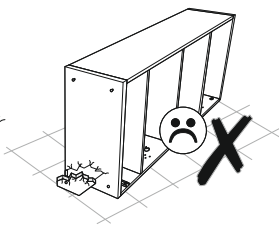
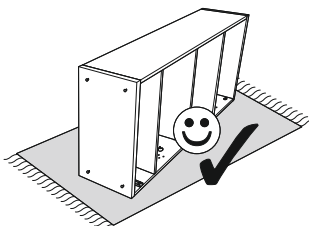
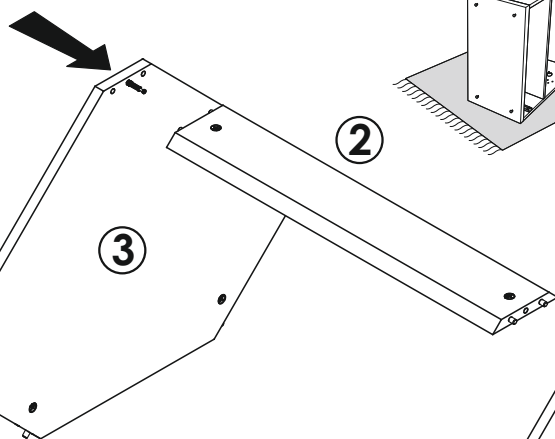
1



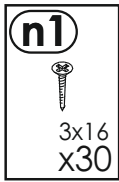
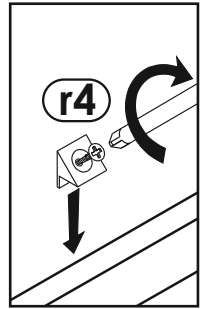
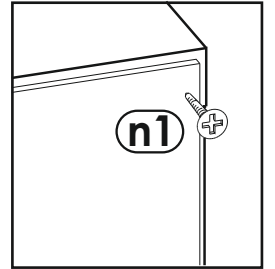
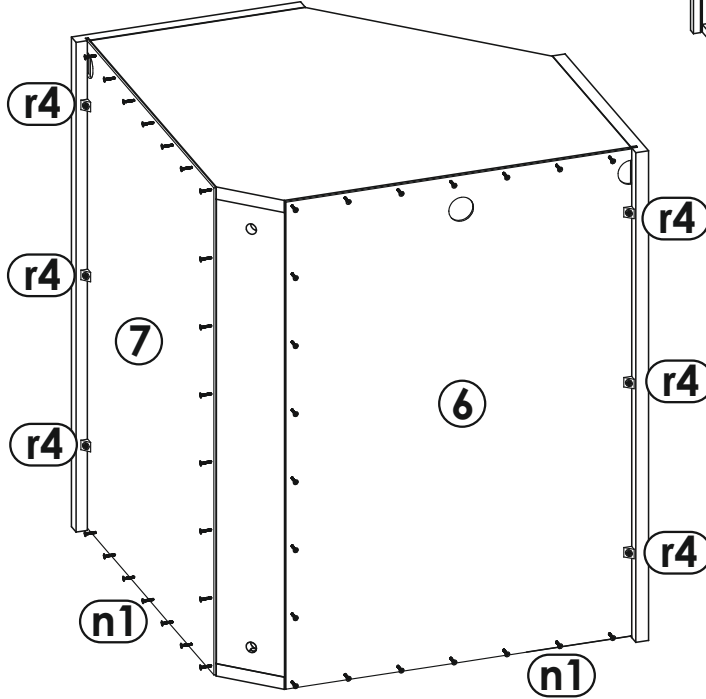
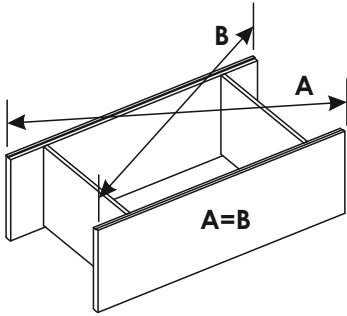
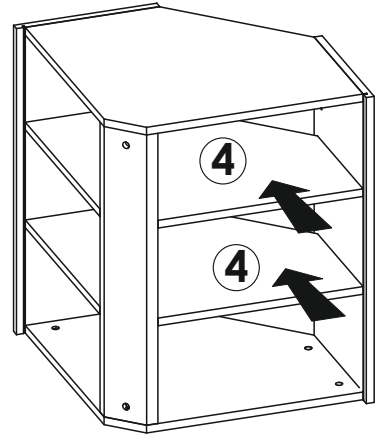
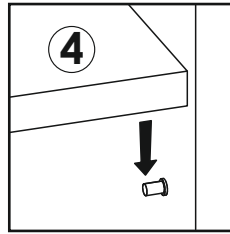
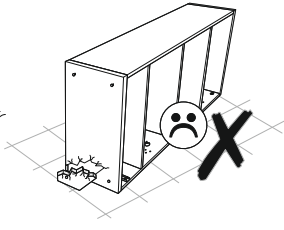
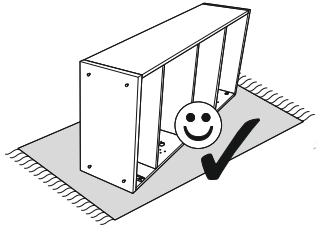
2



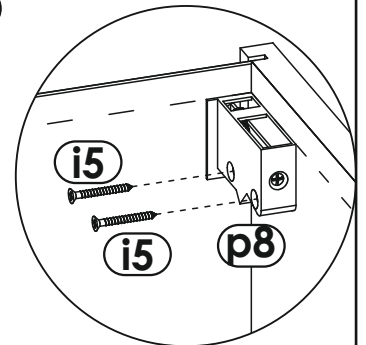
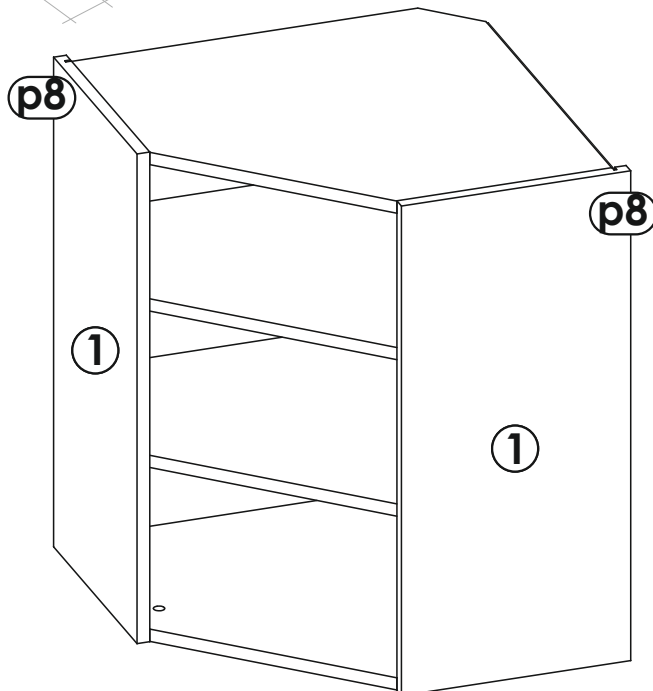
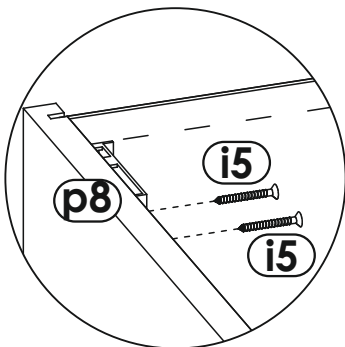
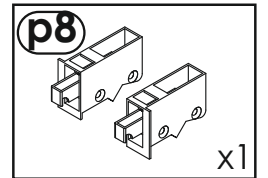
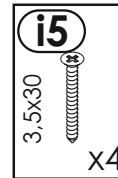
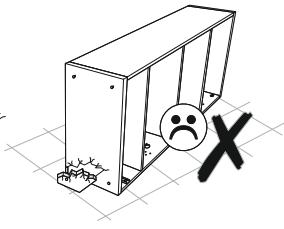
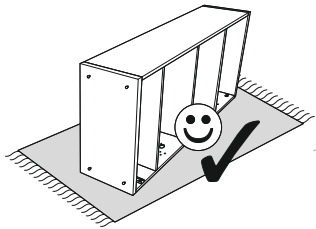
3

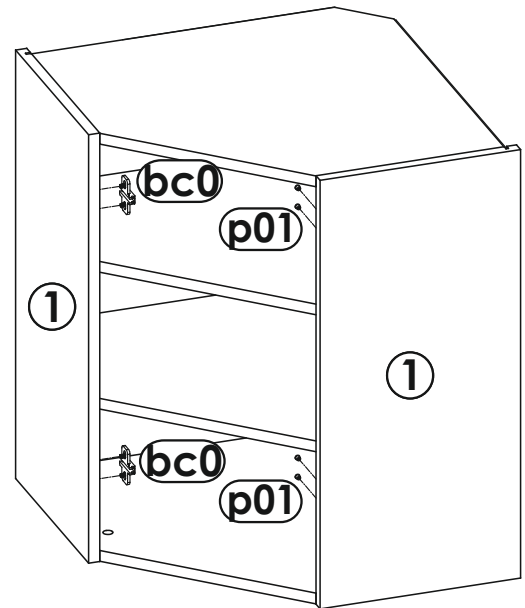
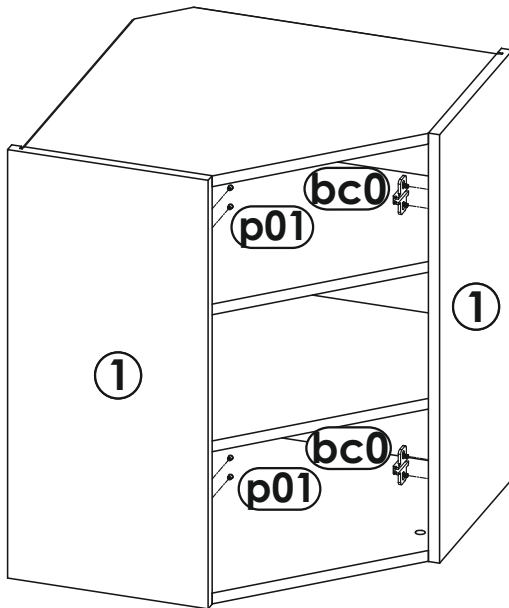
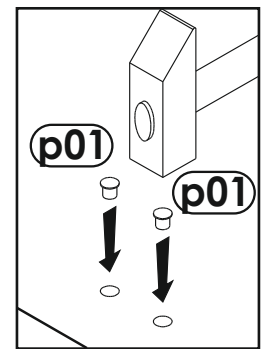
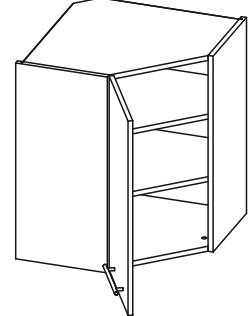
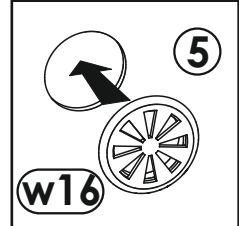
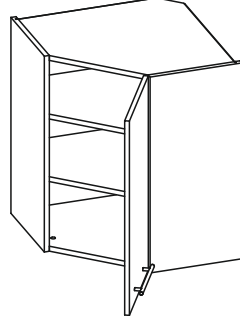
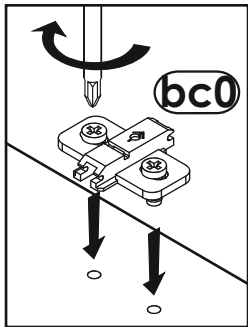
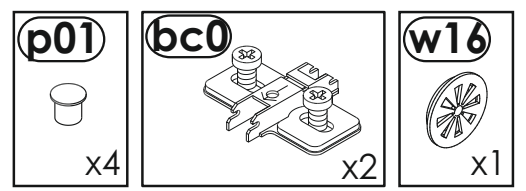
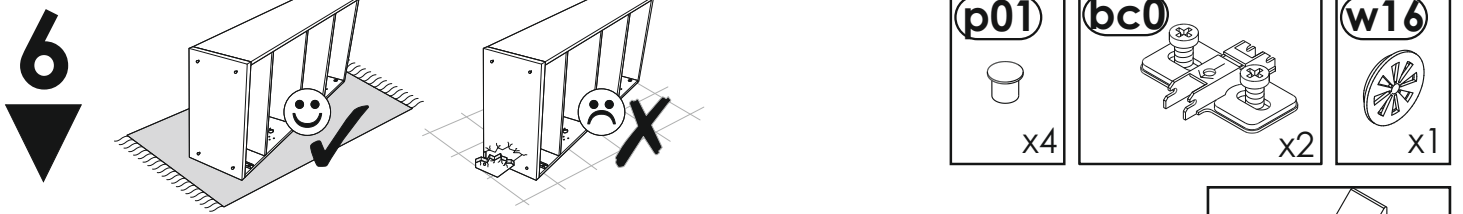


4

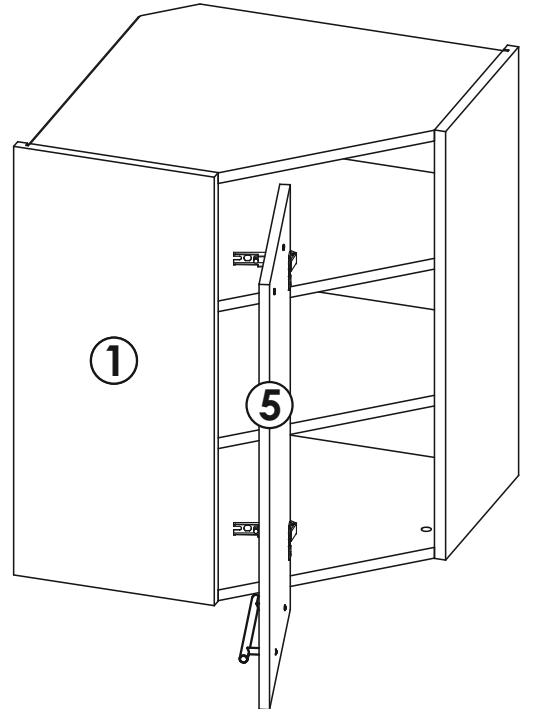
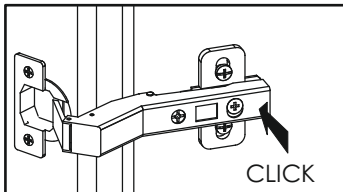
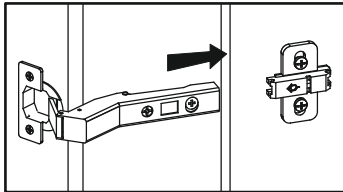
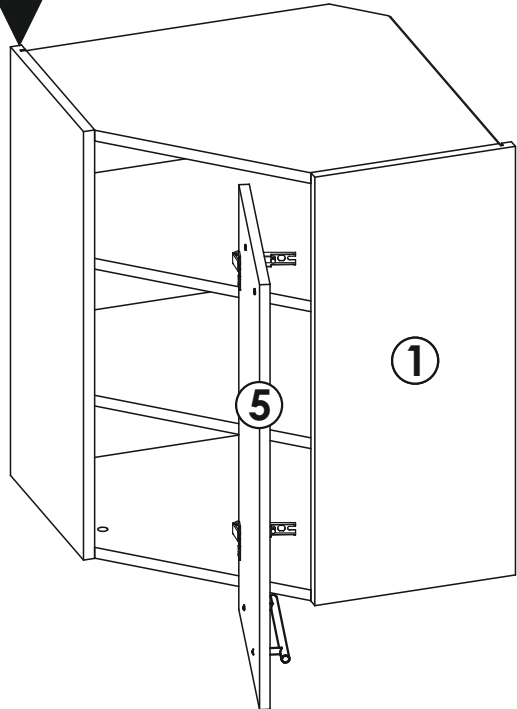


5





7



8

