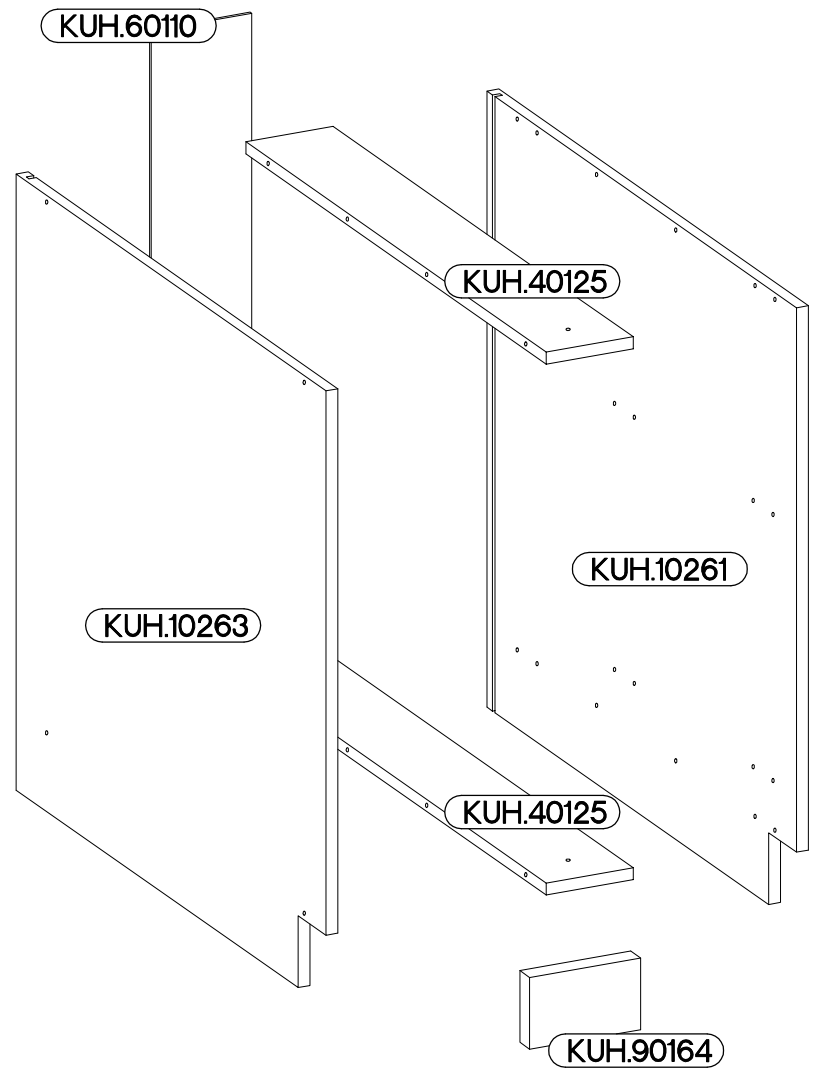
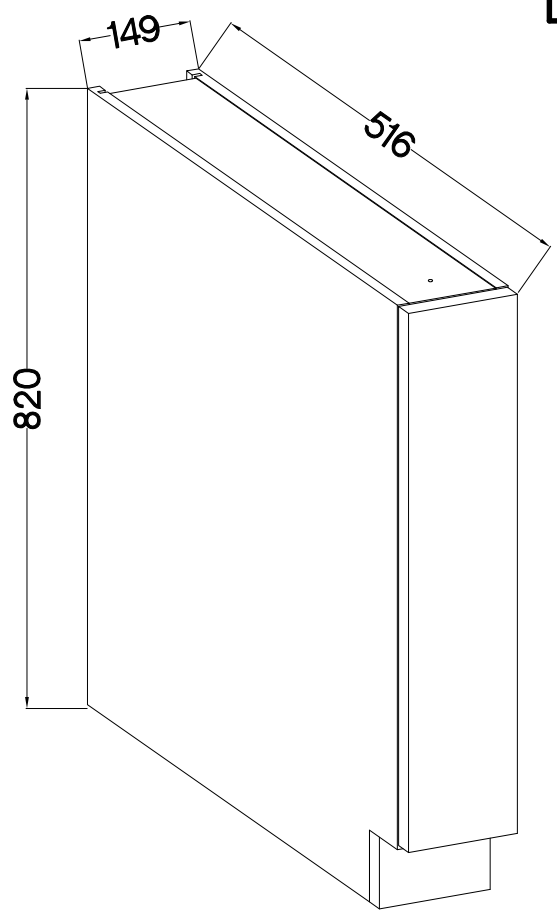
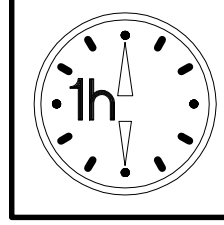
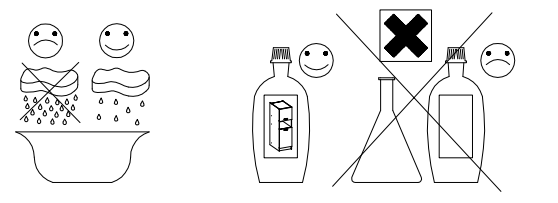
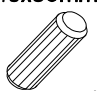




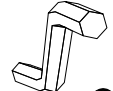



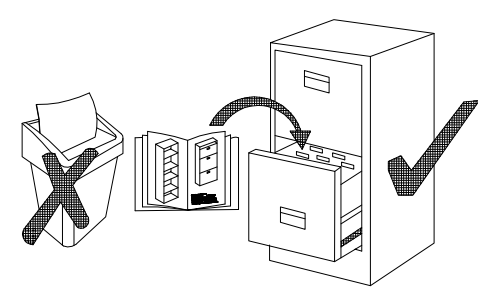


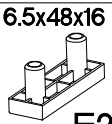
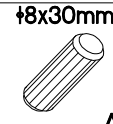
15 D CARGO BB

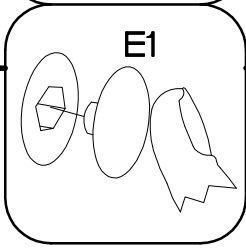
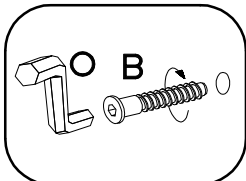
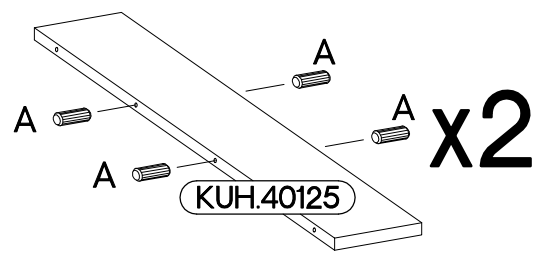
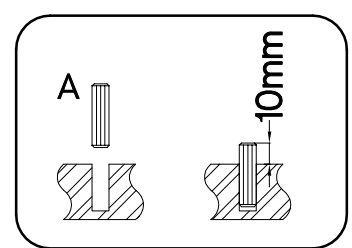
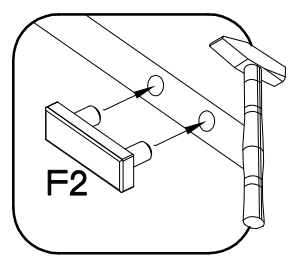
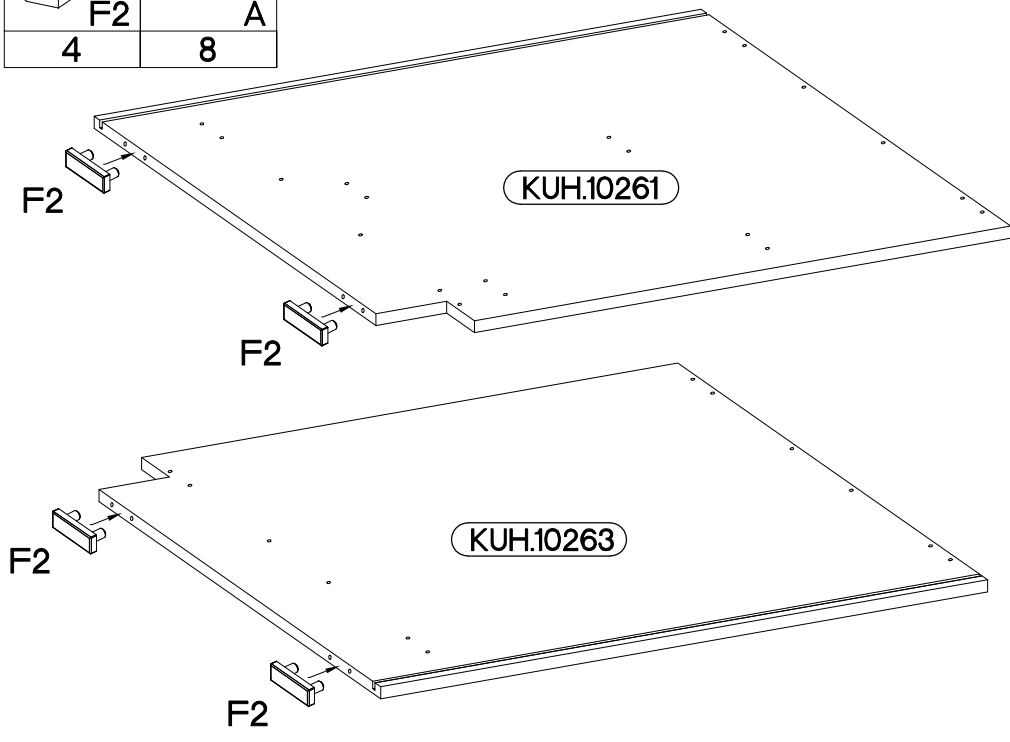
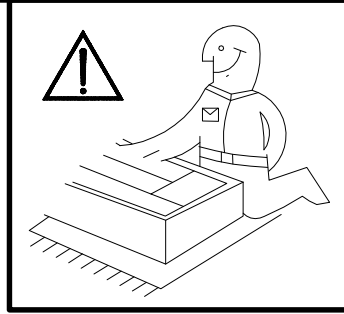


 +8x30mm A	 6,4 x 50mm B					
8	8					
 E1	 E9	 6.5x48x16 F2	 O	 +4.0x45mm P4	 +3.0x20mm P7	 +4.0x35mm R3
8	1	4	1	1	4	1

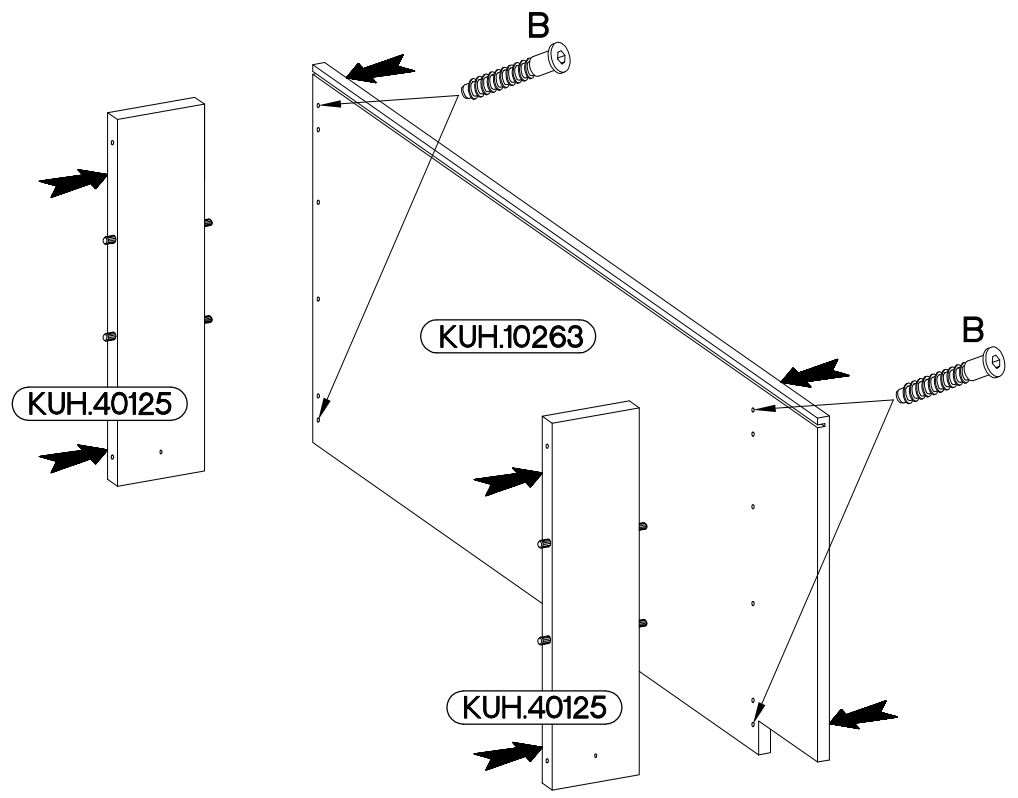



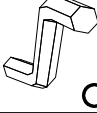

1

6.5x48x16  F2 4	+8x30mm  A 8
--	---

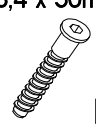
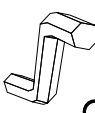



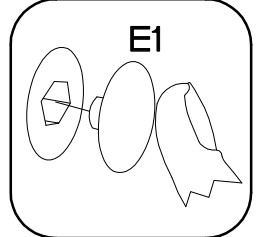
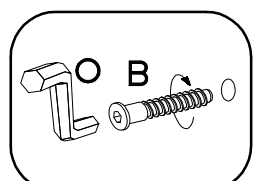
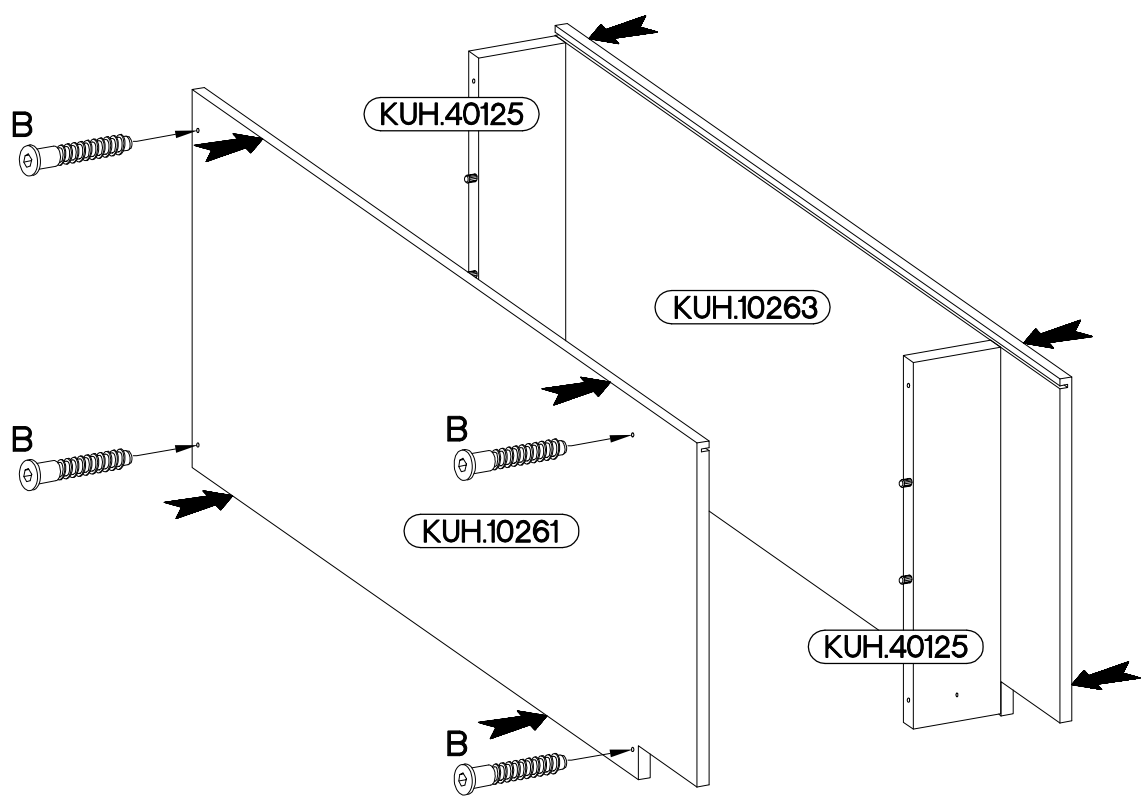
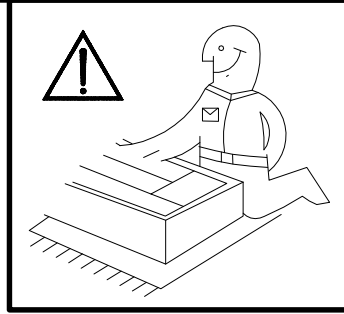
2




6,4 x 50mm  B 4	 O 1	 E1 4
--	---	--

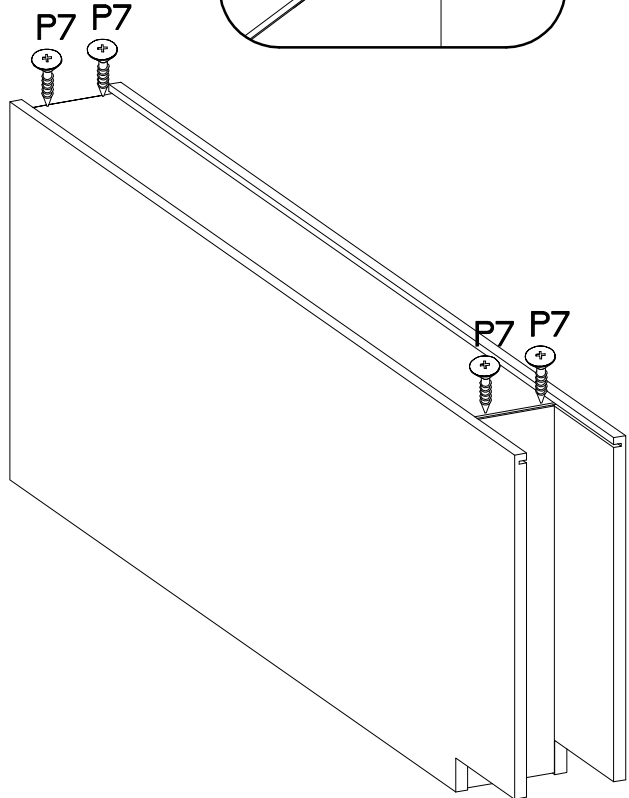
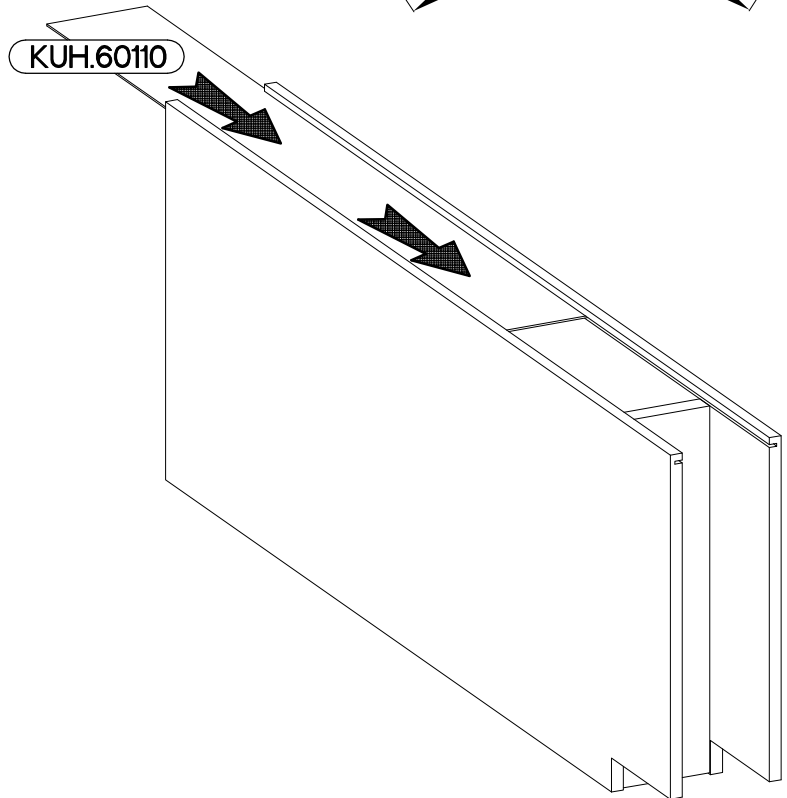
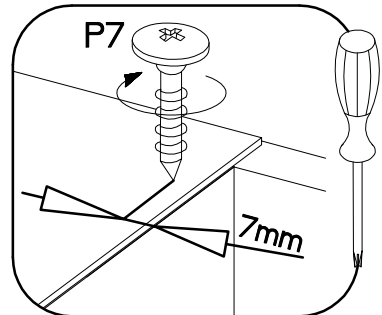
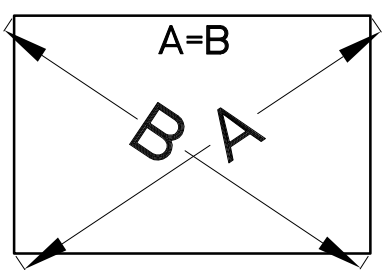
3

6,4 x 50mm			
	B	O	E1
	4	1	4






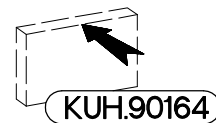
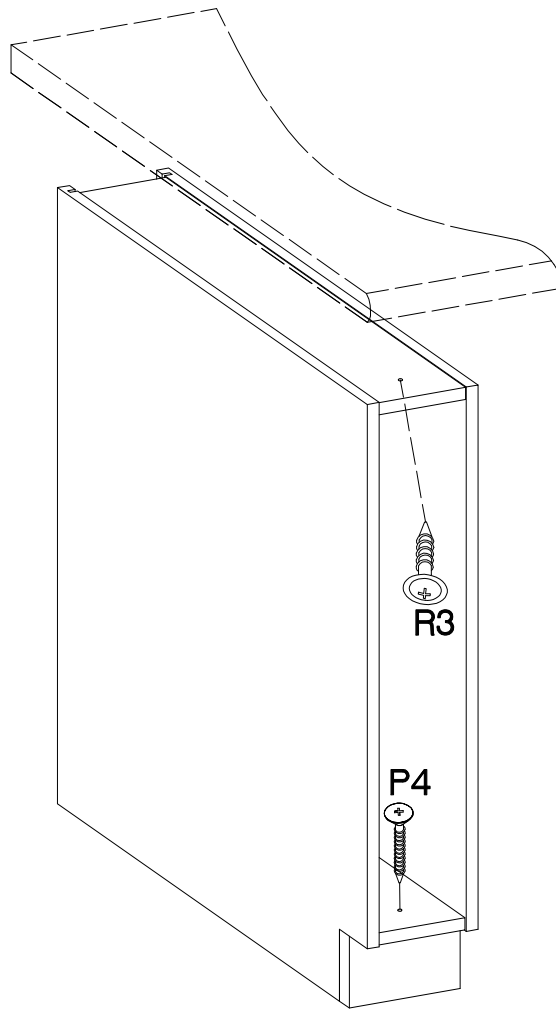
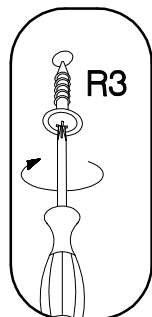
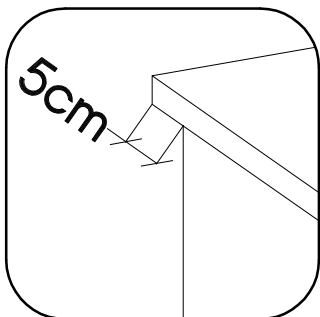
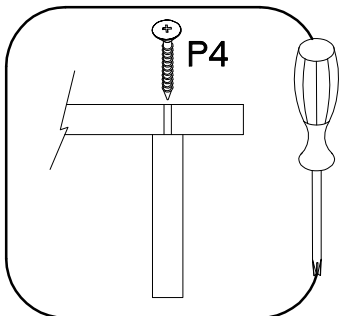
4

3.0x20mm	
	P7
	4



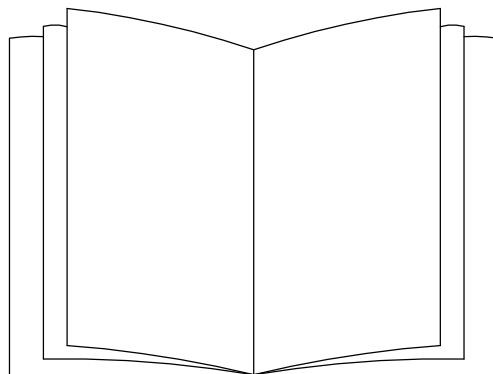
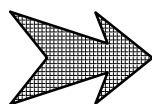
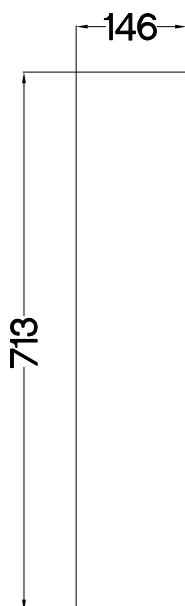
5

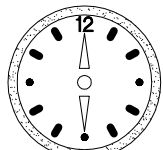
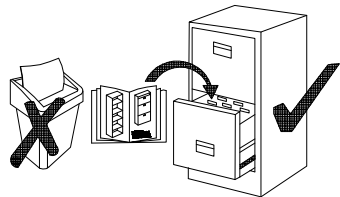
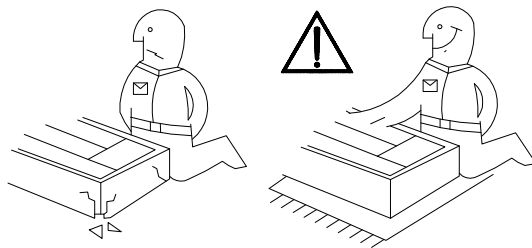
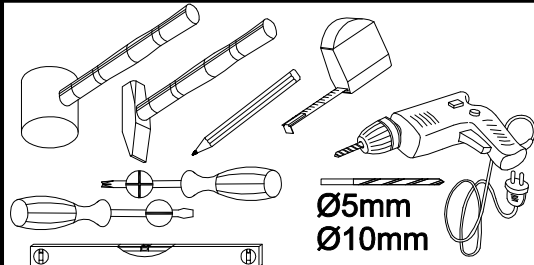
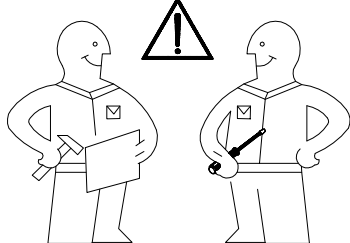
 +4.0x45mm P4 1	 E9 1	 +4.0x35mm R3 1
--	---	--



6

FRONT

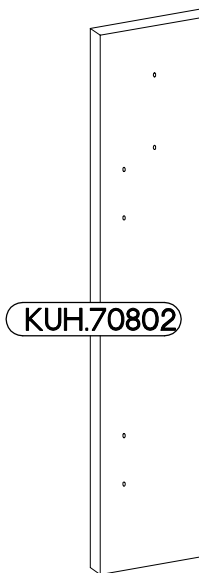
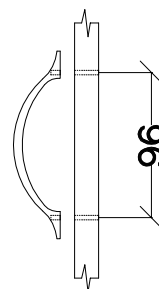
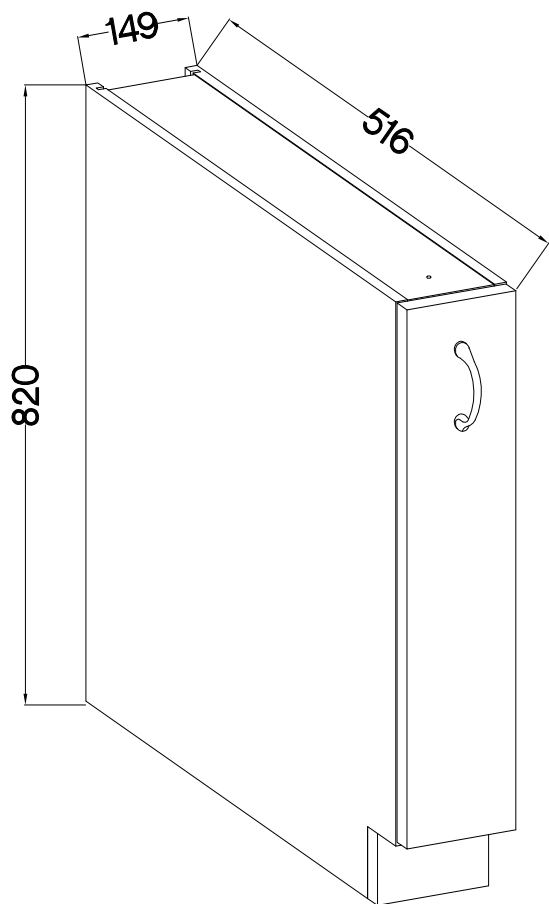
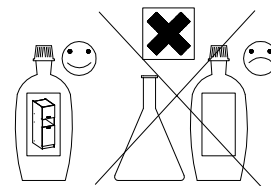
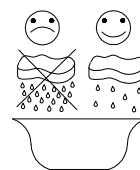






0.5h

15 D CARGO BB

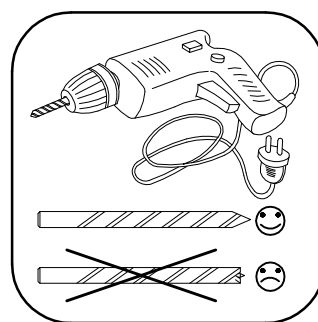
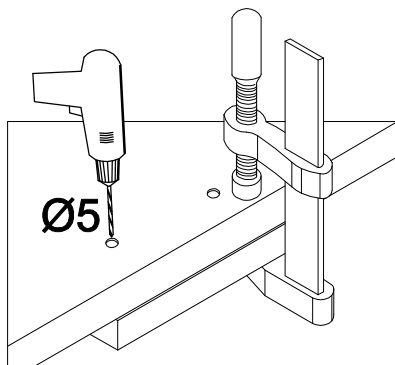
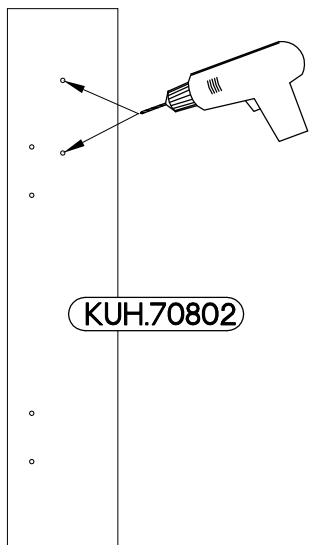
FRONT





M4x22mm	
	
U	S
2	1

ISM-KUH-01211

1



2

M4x22mm	
	
U	S
2	1

