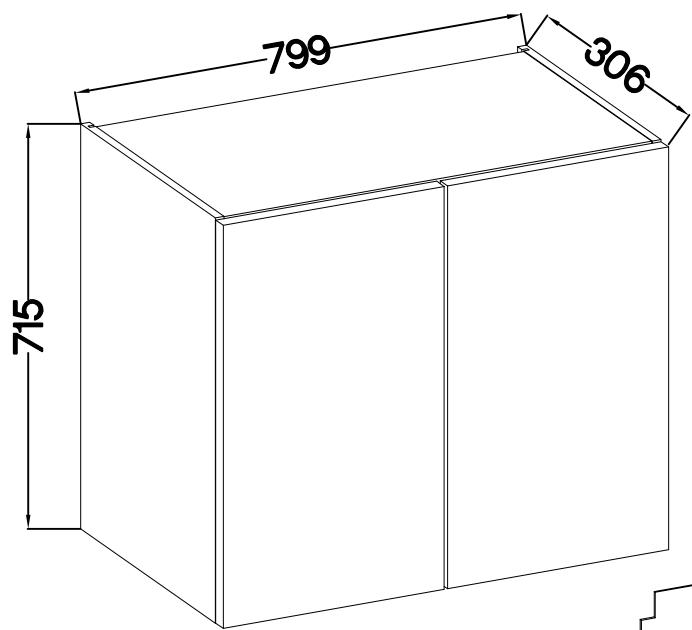
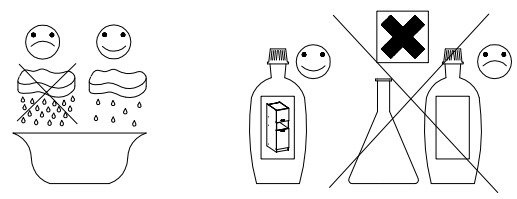
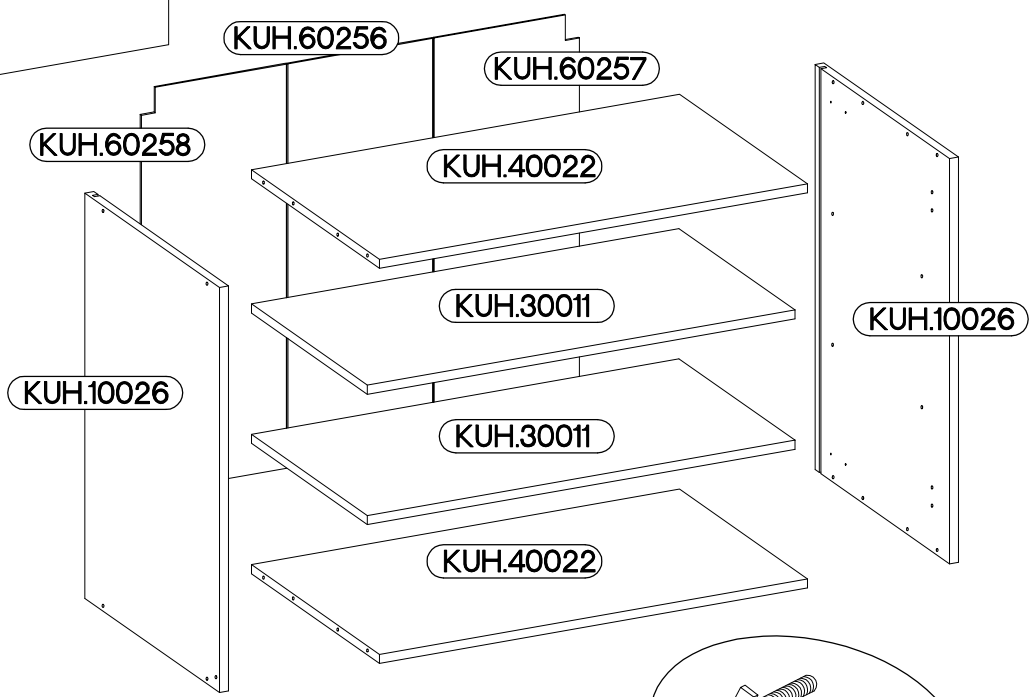


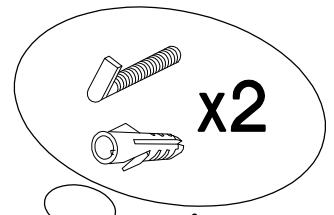
80 G-72 2F



max. 5kg
 KUH.30011
 KUH.40022

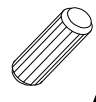

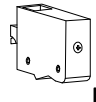


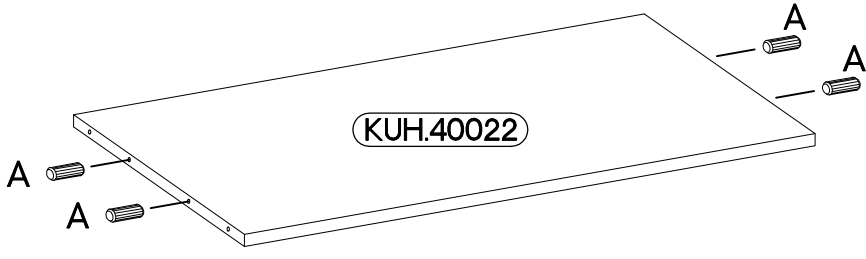
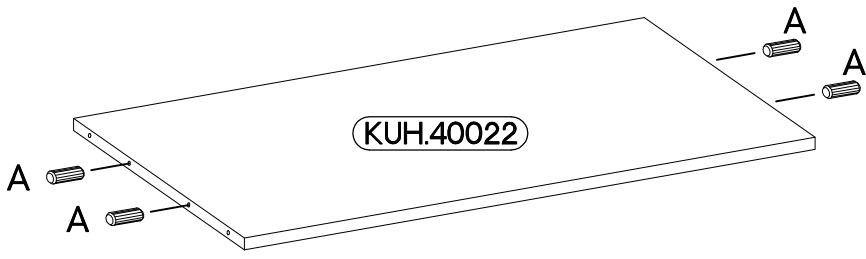
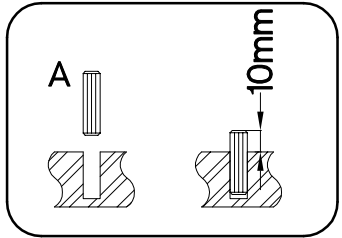
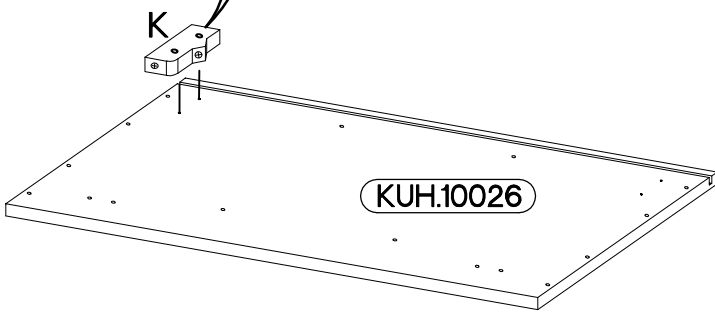
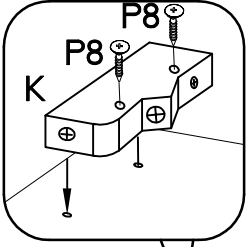
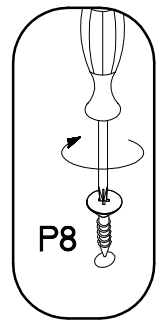
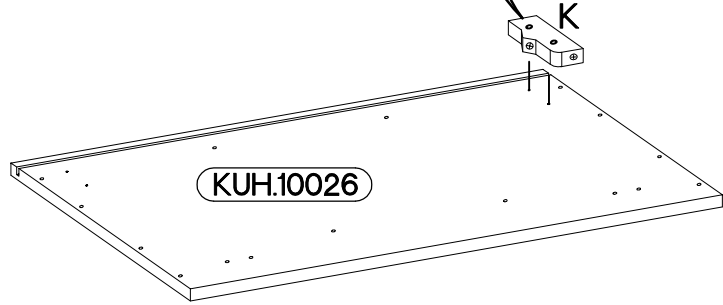
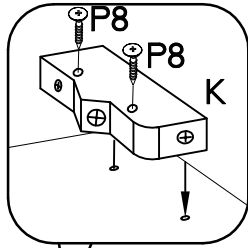
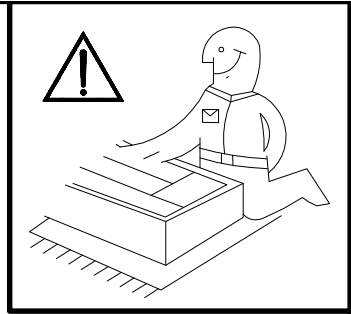
 A	 B	 E1	 HG	 J	
8	8	8	4	8	
 L1	 K	 O	 P5	 P7	 P8
L1=680mm 2	2	1	8	15-20	4



ISM-KUH-01631

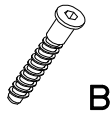
1

 ‡8x30mm A	 ‡4.0x30mm P8	 K
8	4	2



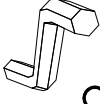
2

6,4 x 50mm



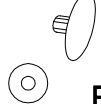
B

4



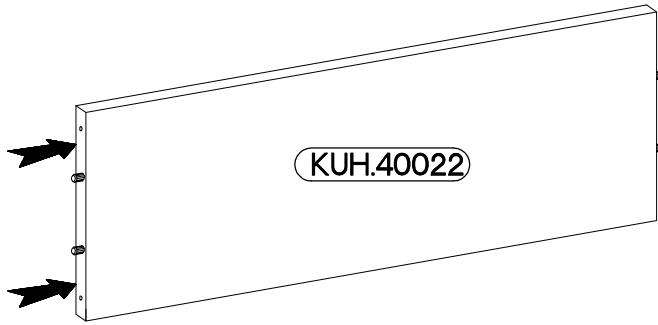
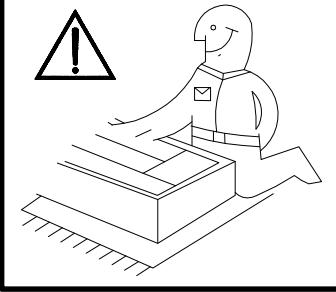
O

1

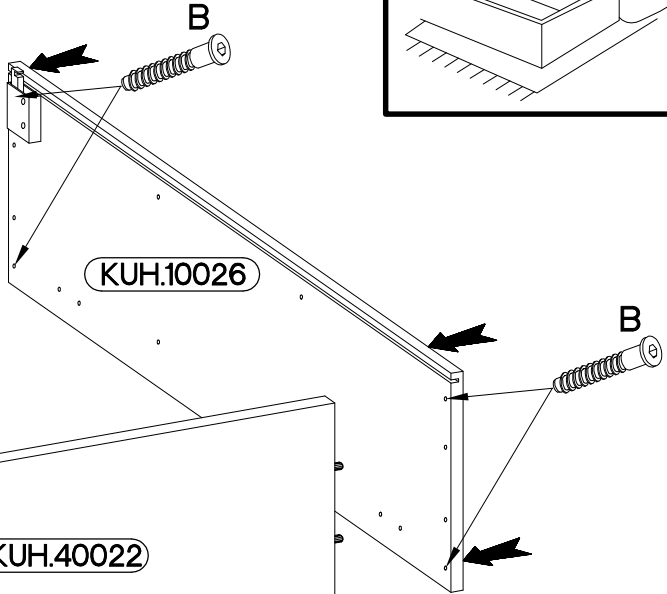


E1

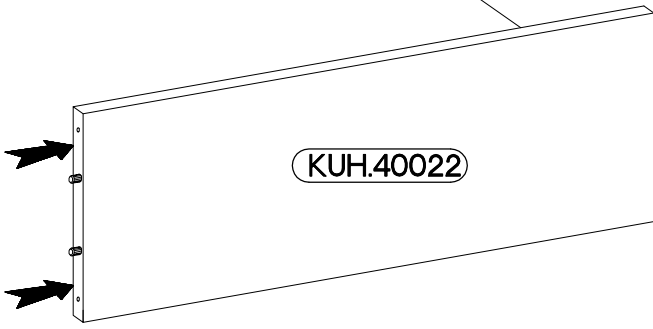
4



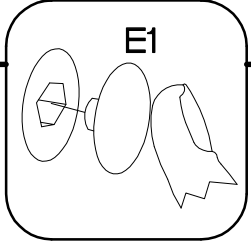
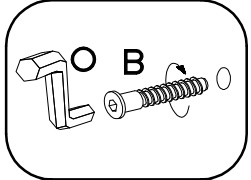
KUH.40022



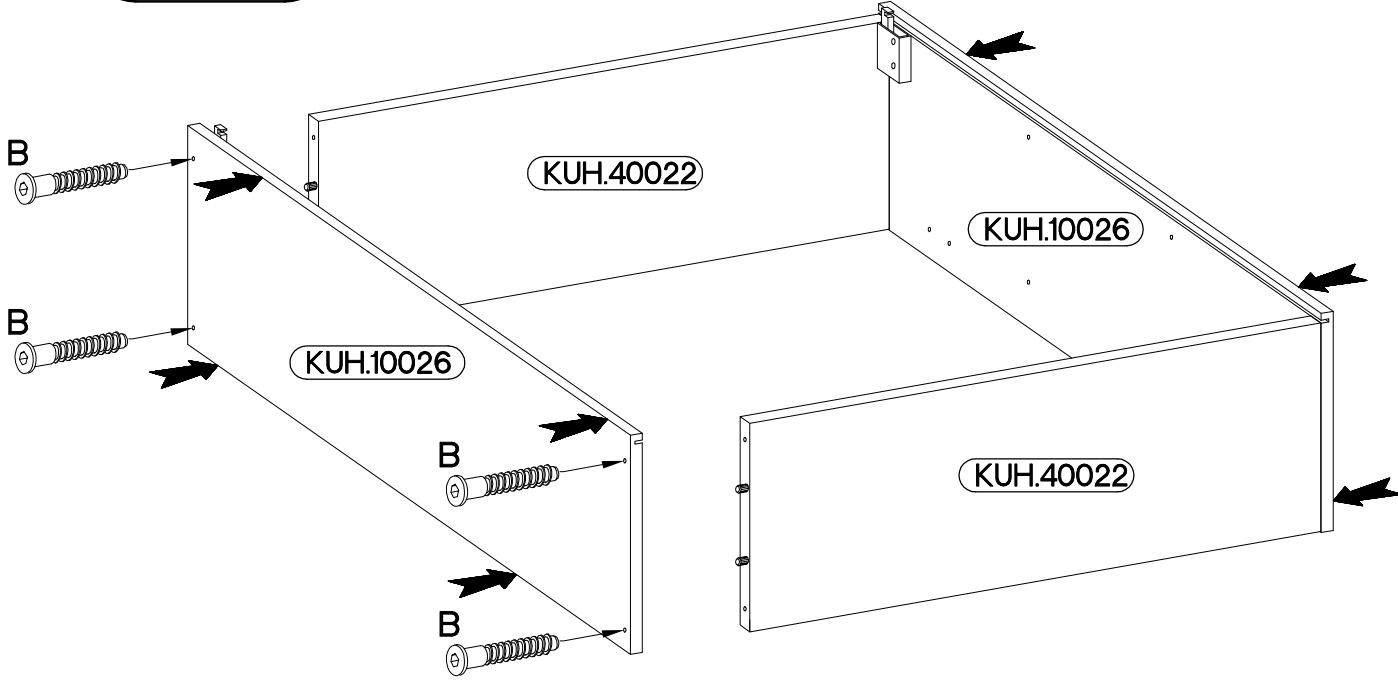
KUH.10026



KUH.40022



3



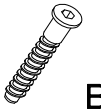
KUH.40022

KUH.10026

KUH.10026

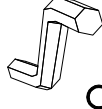
KUH.40022

6,4 x 50mm



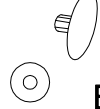
B

4



O

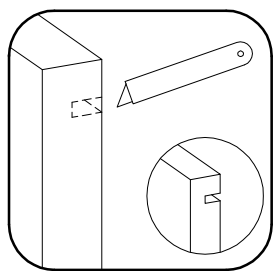
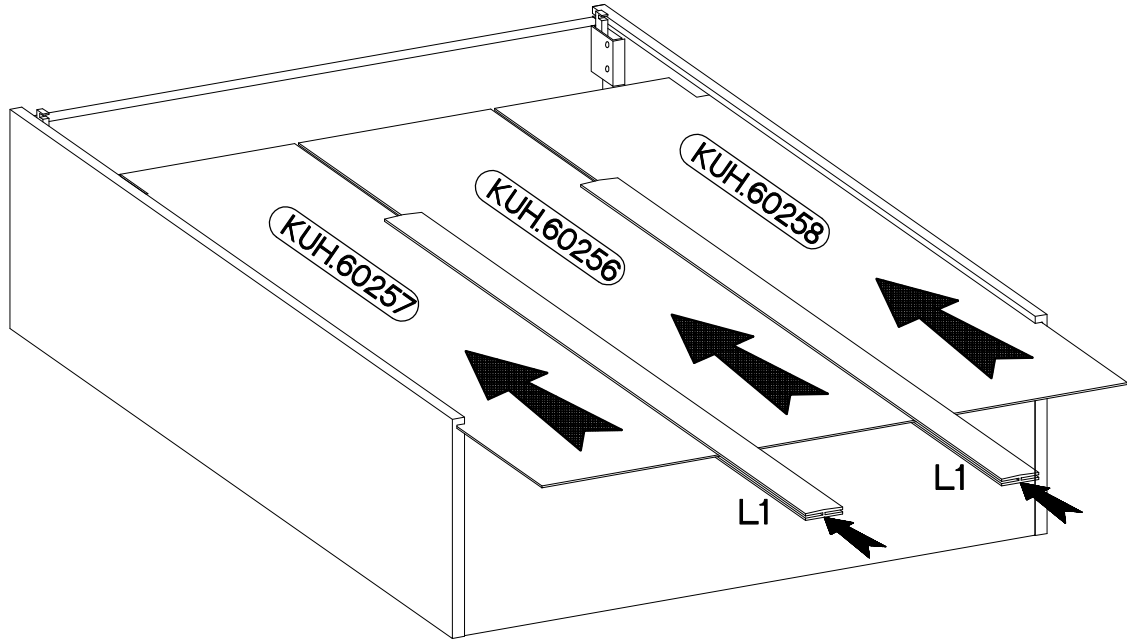
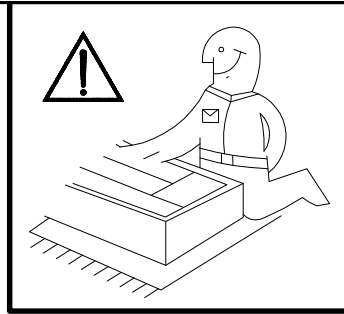
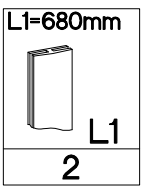
1



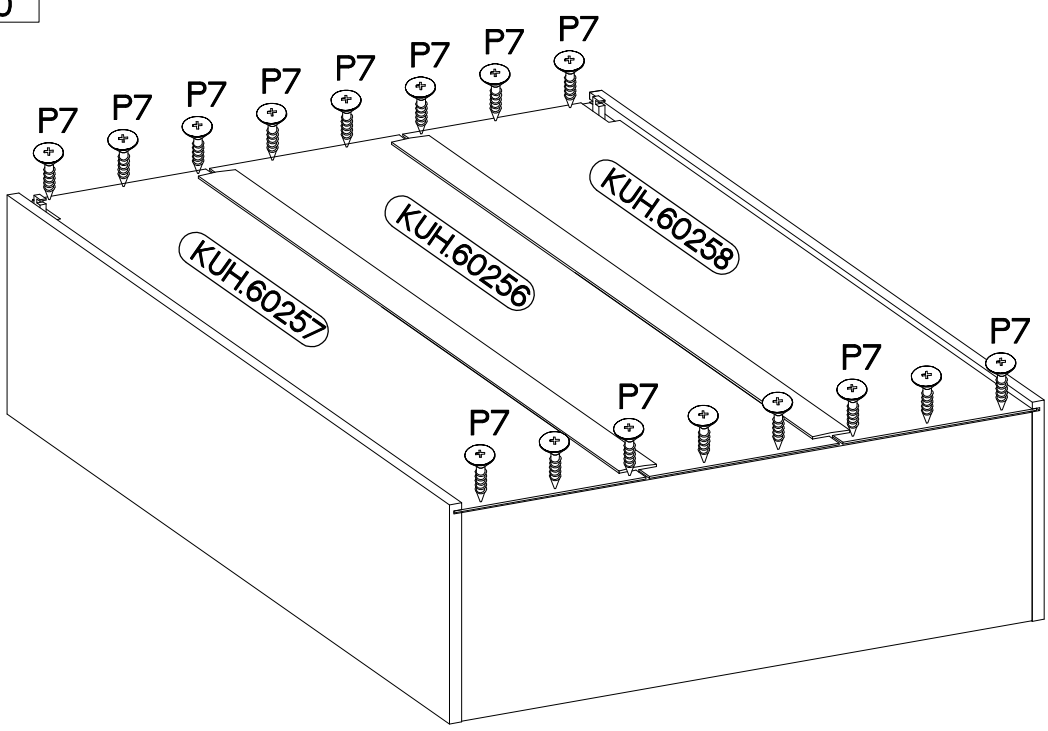
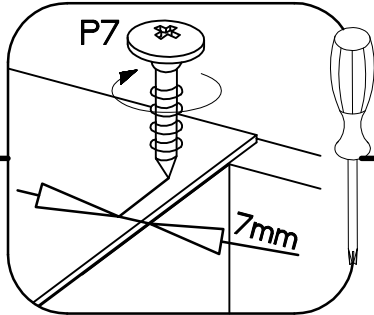
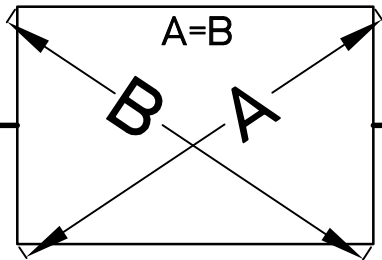
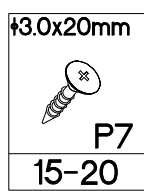
E1

4

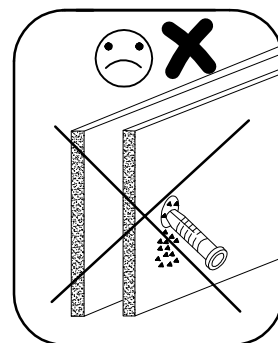
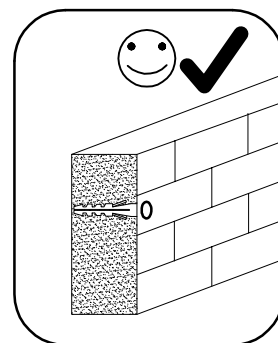
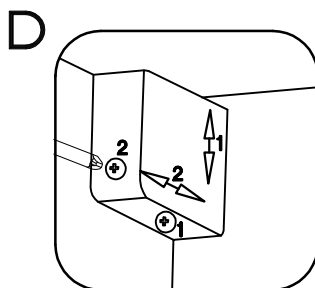
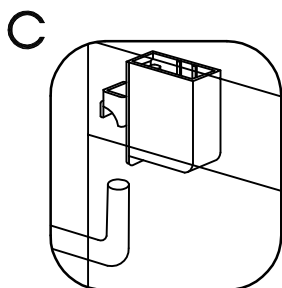
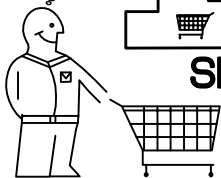
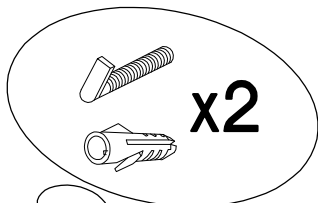
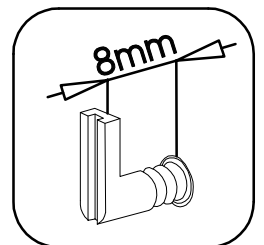
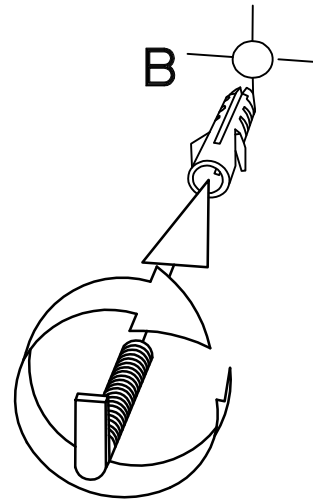
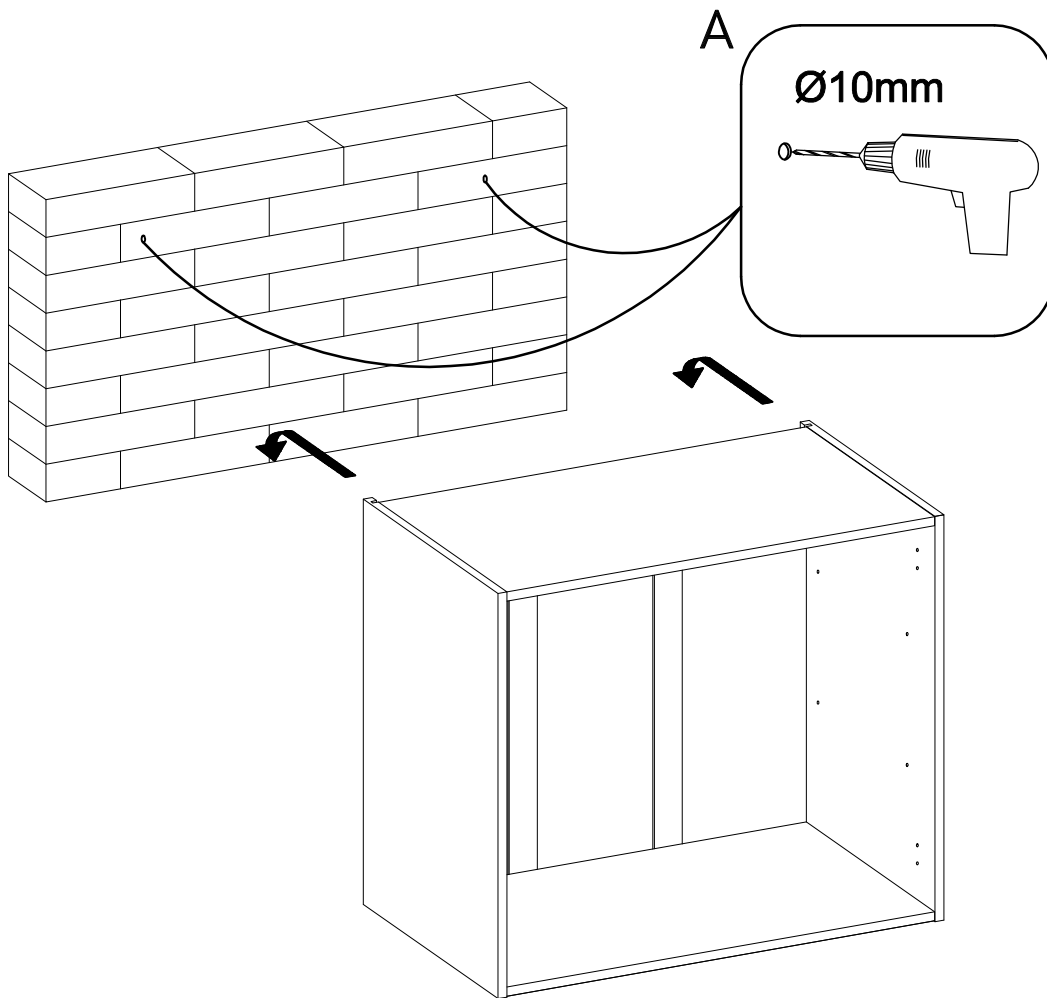
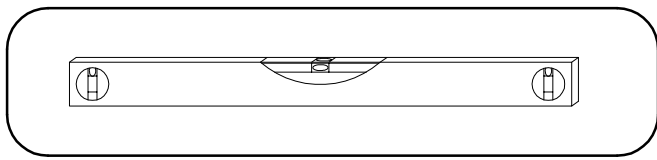
4



5

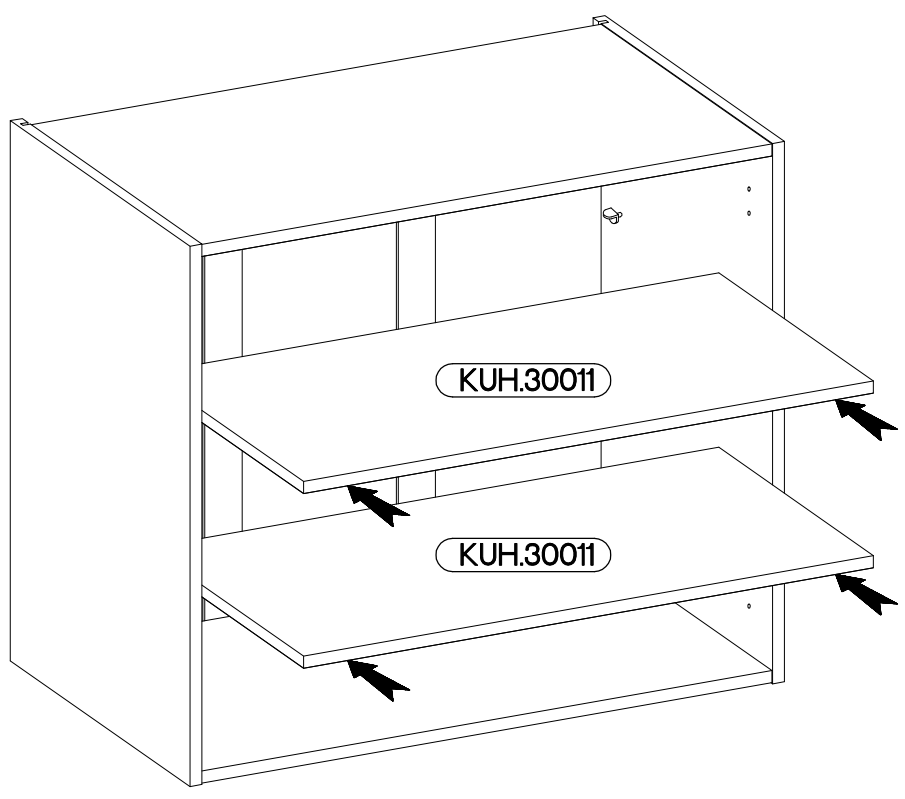
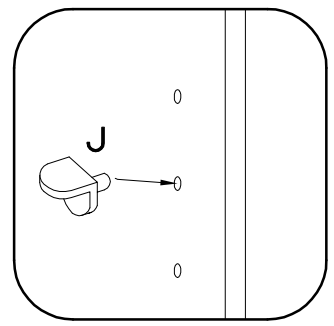


6



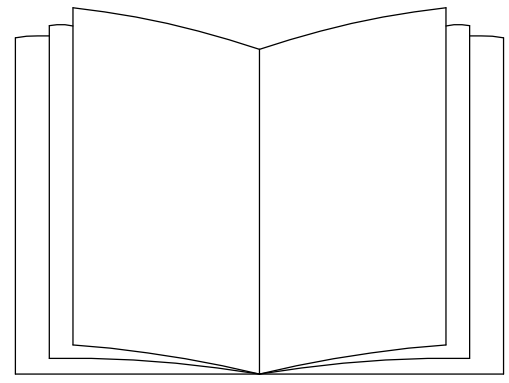
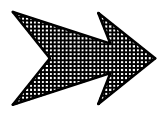
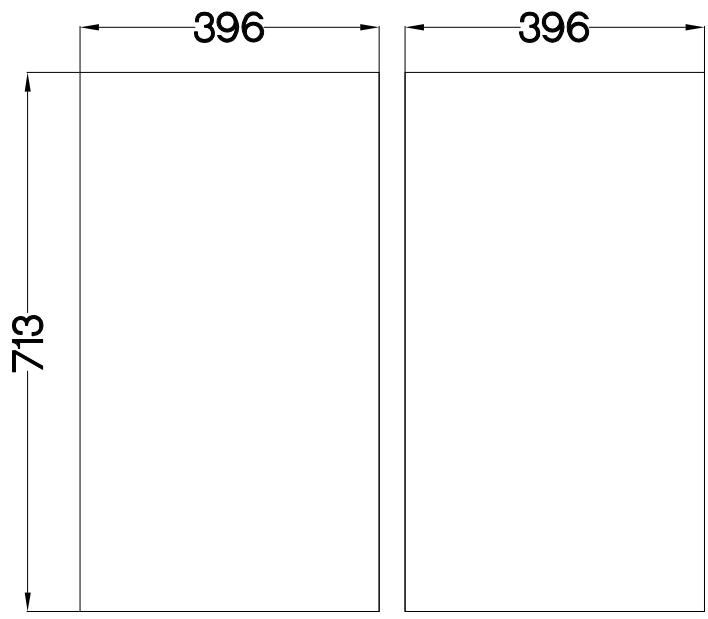
7

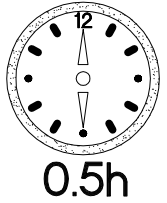
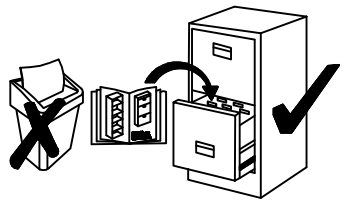
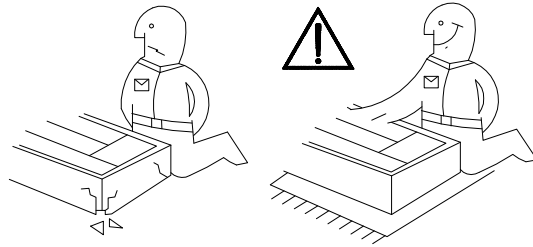
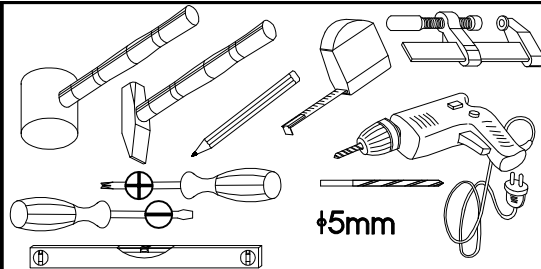
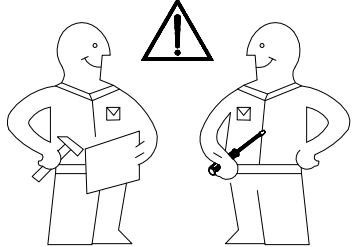
±5/19mm
J
8



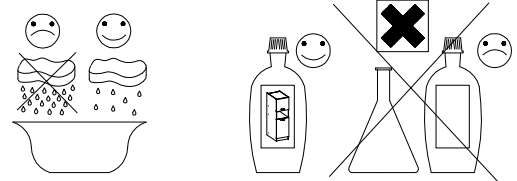
8

FRONT



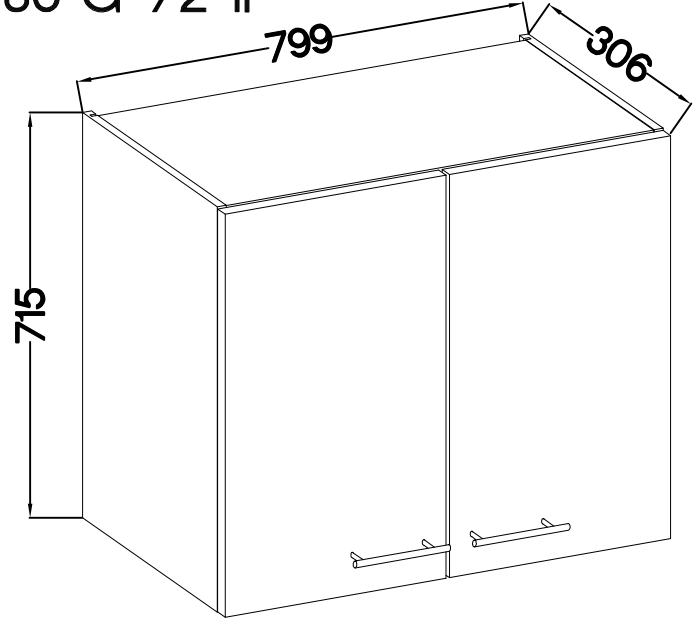
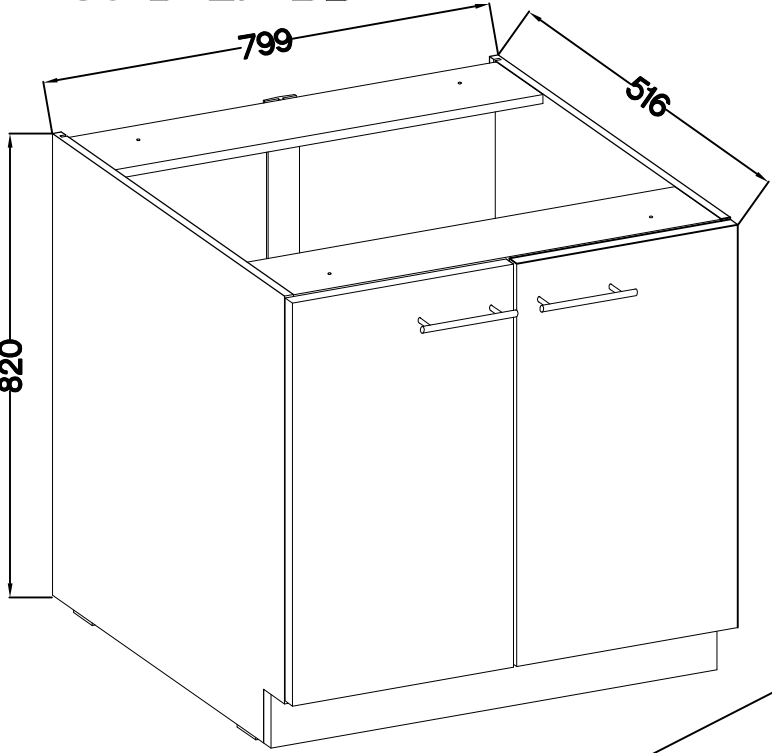


80 D 2F BB
80 ZL 2F BB
80 G-72 1F
FRONT

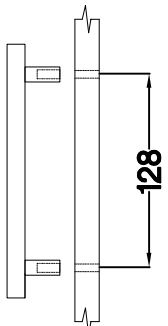
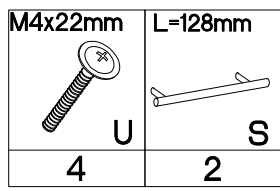
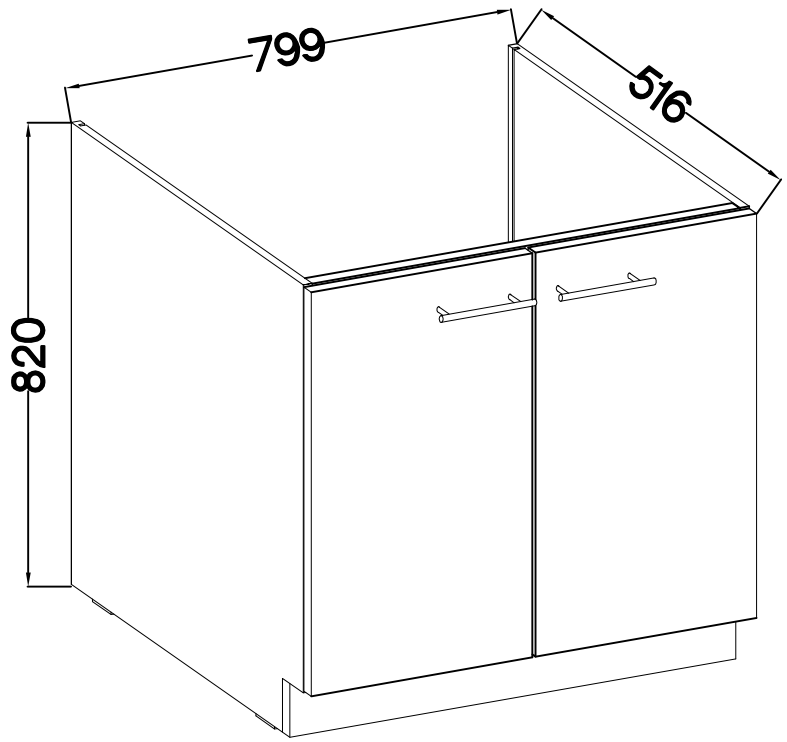
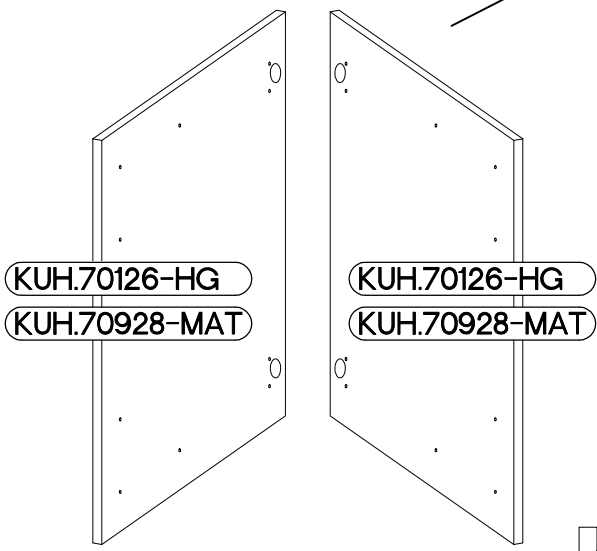


80 D 2F BB

80 G-72 1F



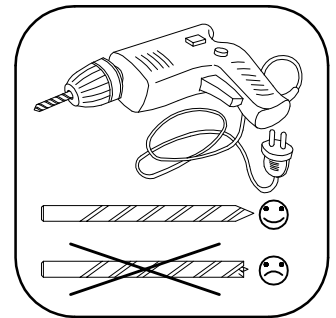
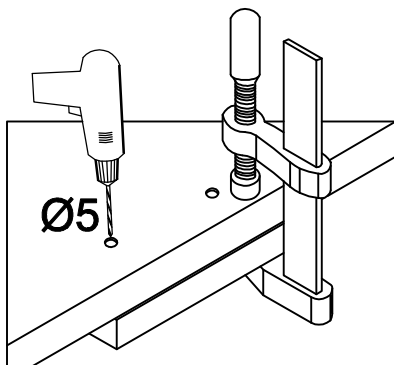
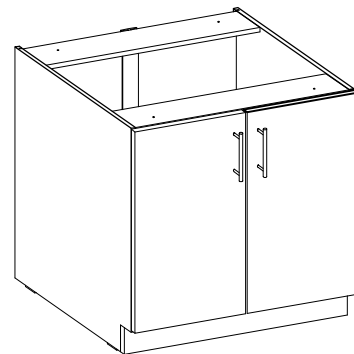
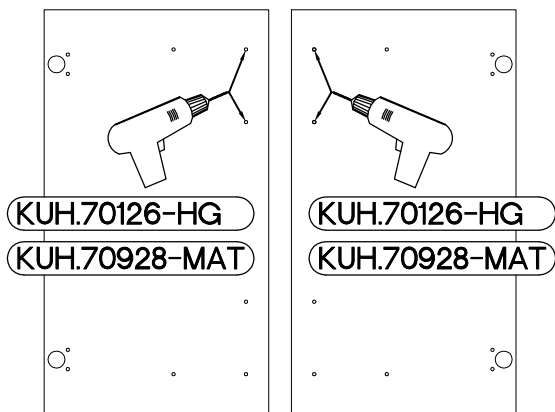
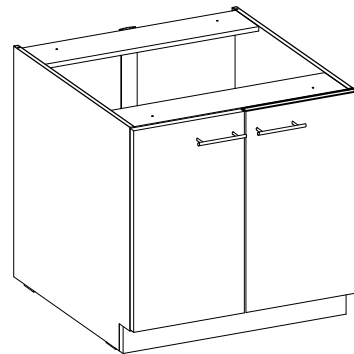
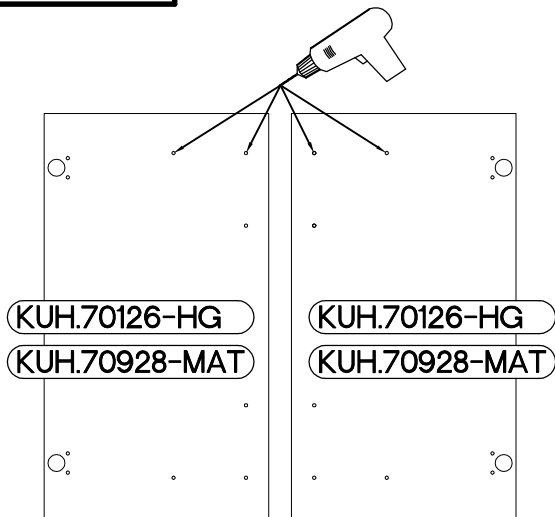
80 ZL 2F BB



ISM-KUH-01654

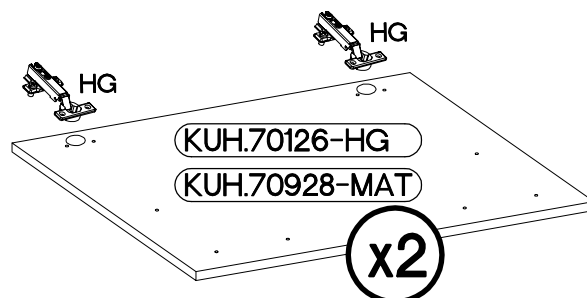
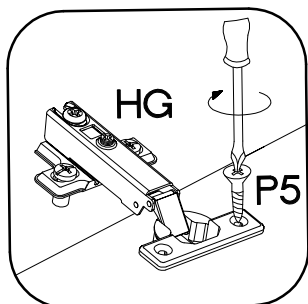
1

80 D 2F BB





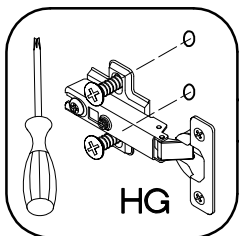
2

±35/0mm [CD] HG 4	±3.5x13mm P5 8
-------------------------	----------------------

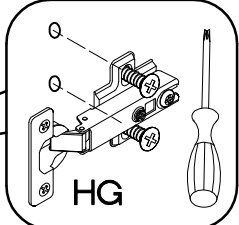
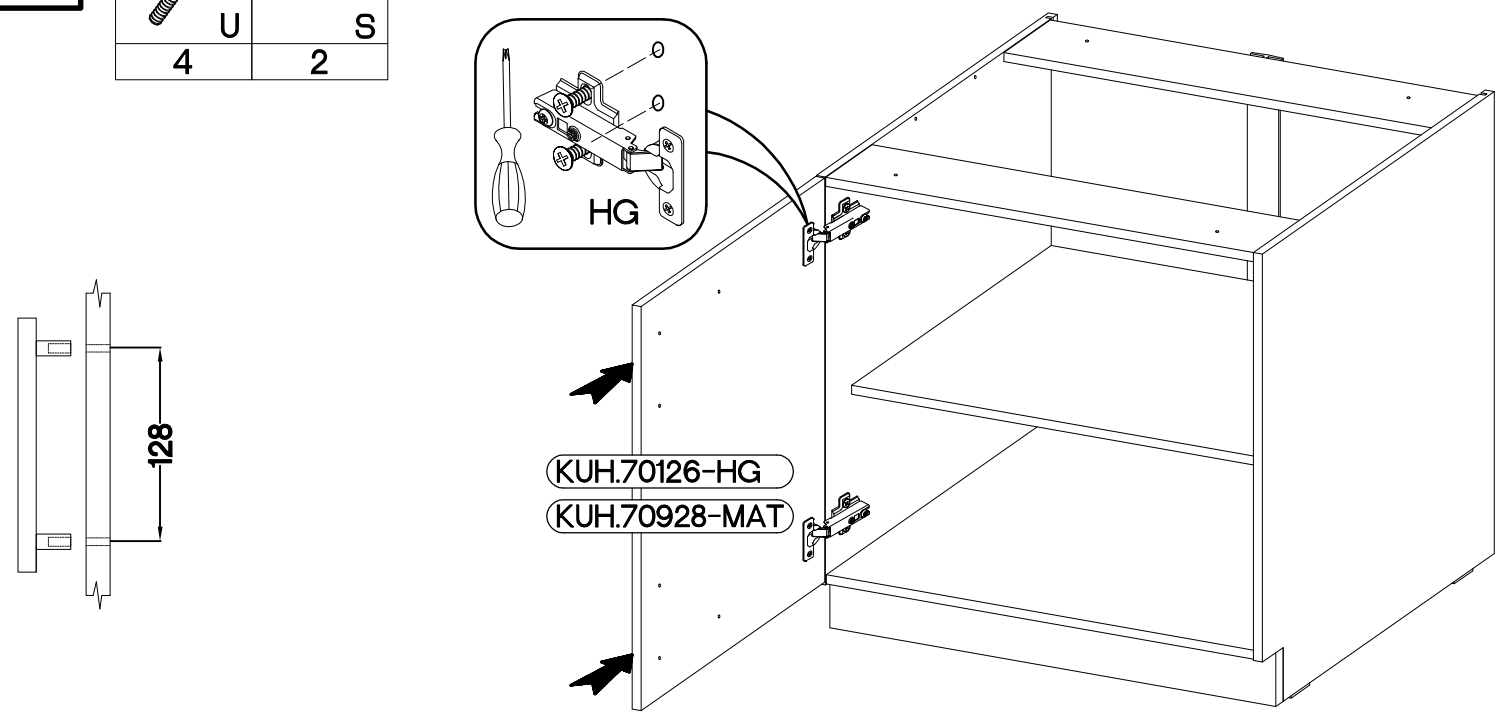
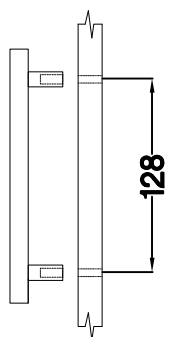


3

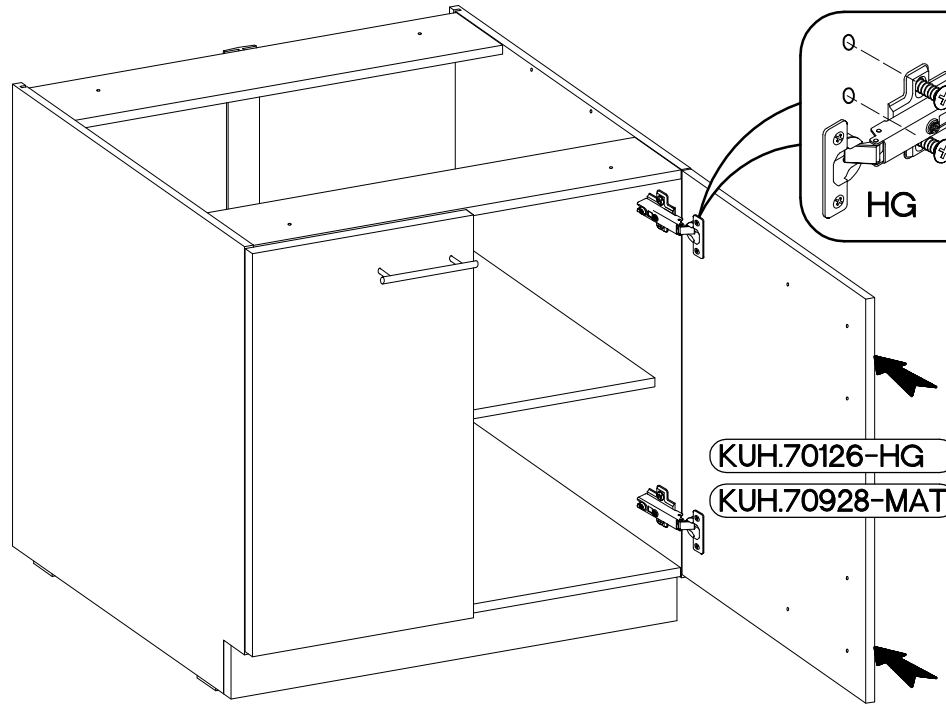
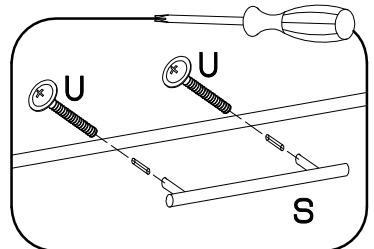
M4x22mm	L=128mm
	
U	S
4	2



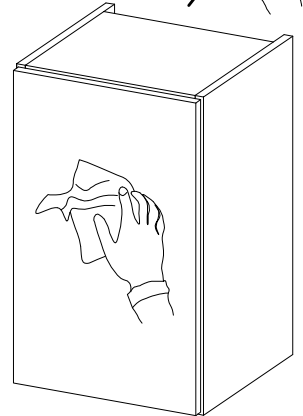
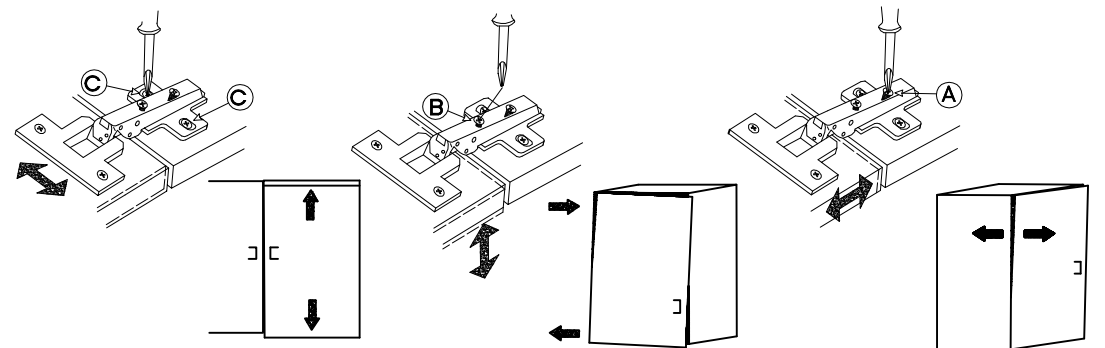
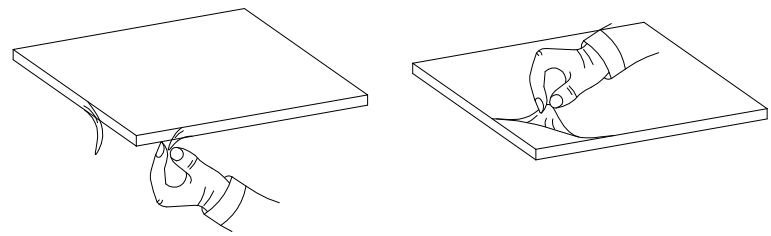
KUH.70126-HG
KUH.70928-MAT



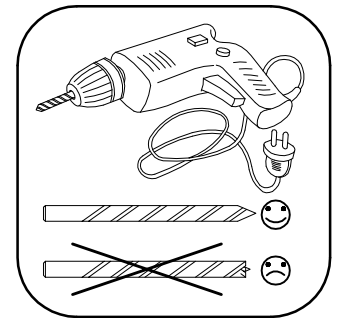
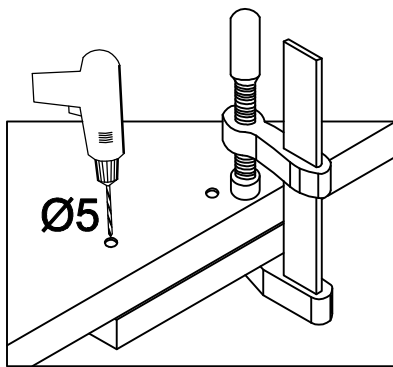
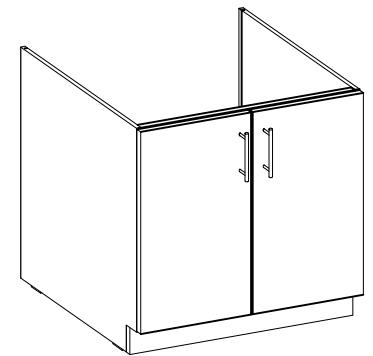
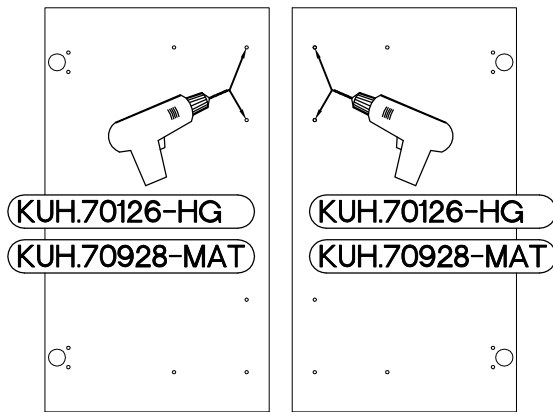
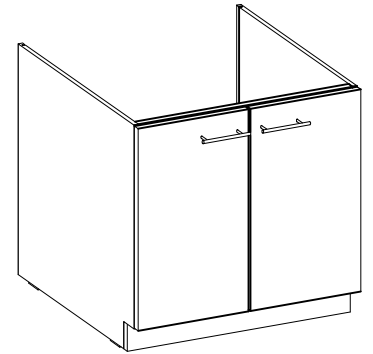
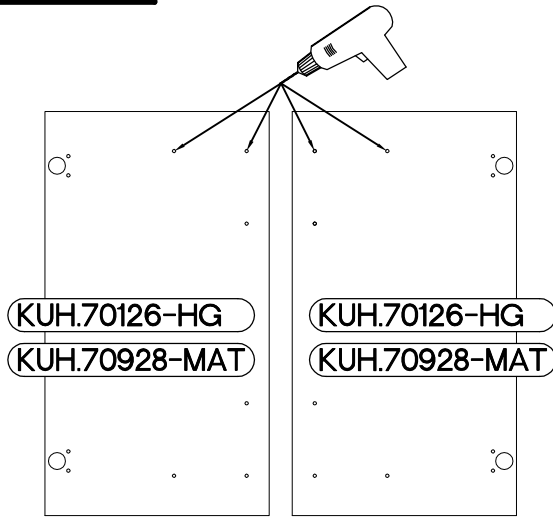
KUH.70126-HG
KUH.70928-MAT



VARIANT HIGH GLOSS

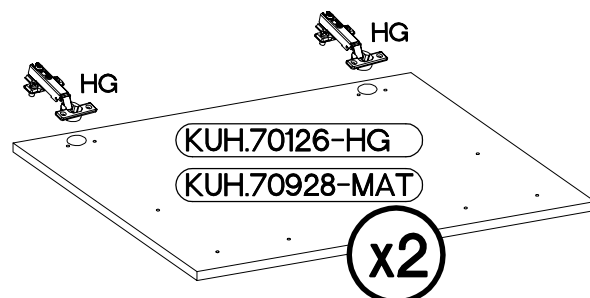
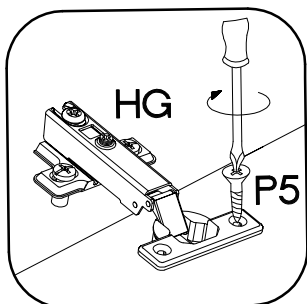


4 80 D ZL BB





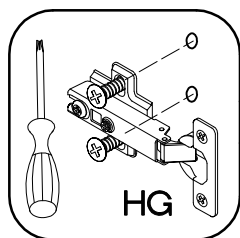
5

$\pm 35/0\text{mm}$ [CD] HG 4	$\pm 3.5 \times 13\text{mm}$ P5 8
-----------------------------------------	---------------------------------------------

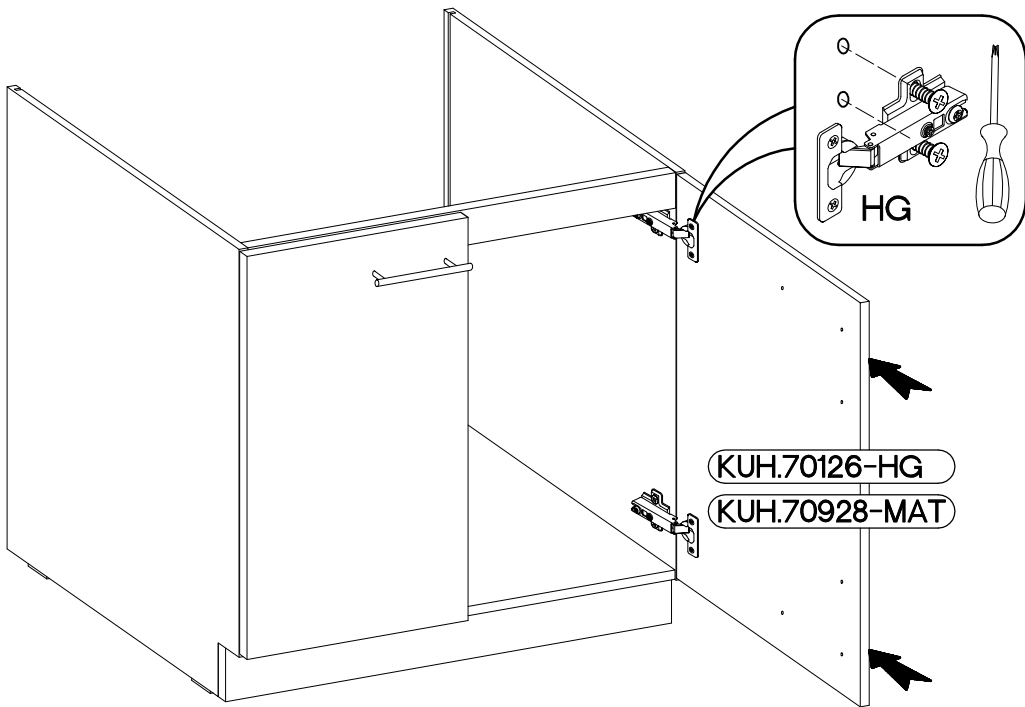
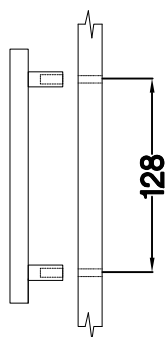


6

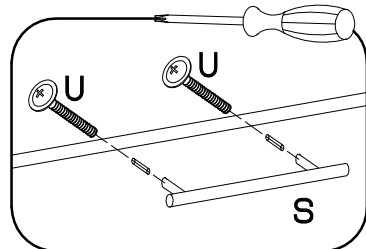
M4x22mm	L=128mm
	
U	S
4	2



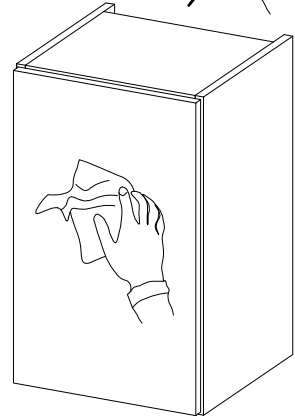
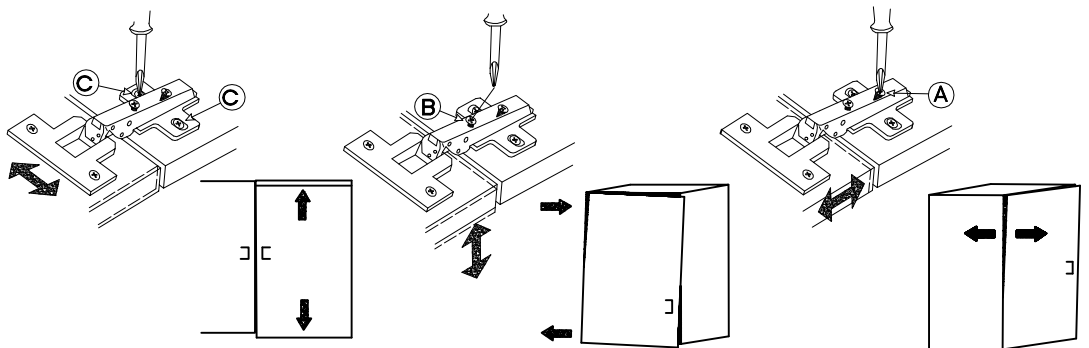
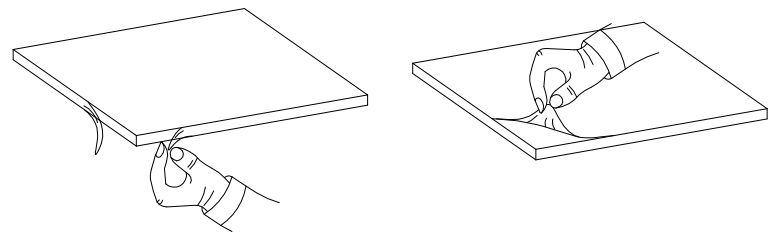
KUH.70126-HG
KUH.70928-MAT



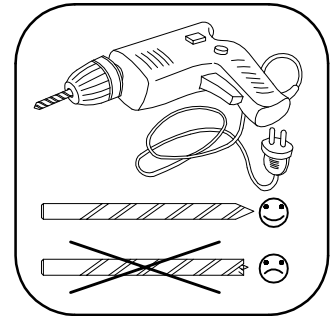
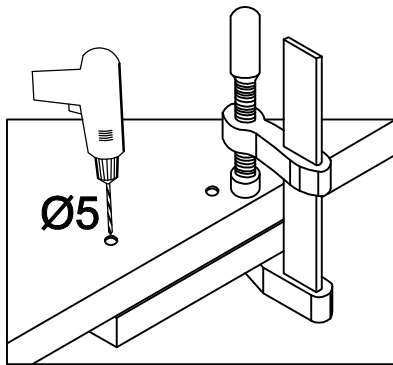
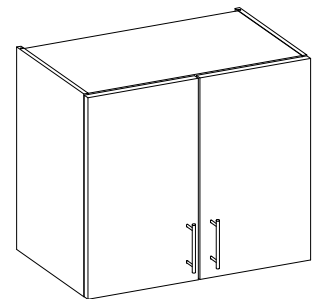
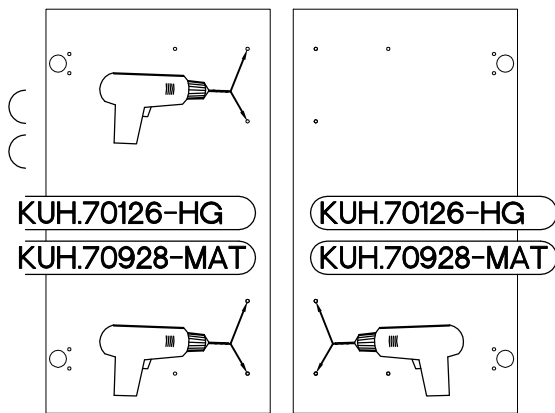
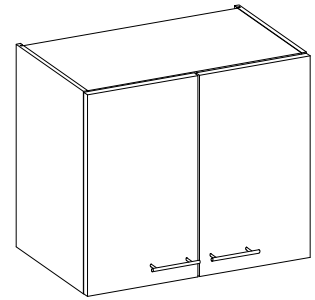
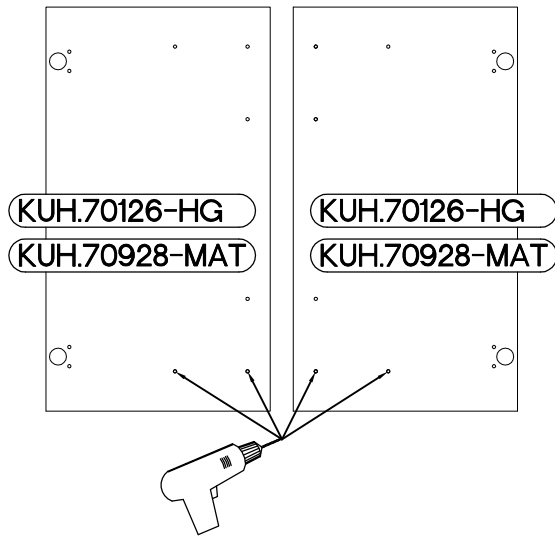
KUH.70126-HG
KUH.70928-MAT



VARIANT HIGH GLOSS

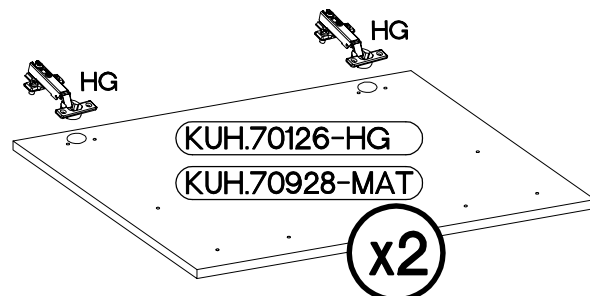
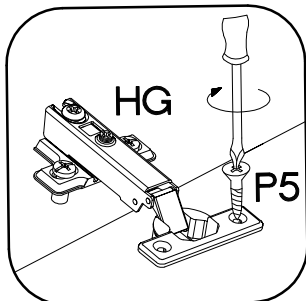


7 80 G-72 1F





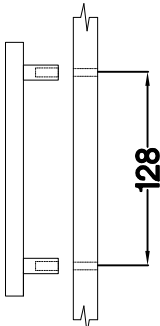
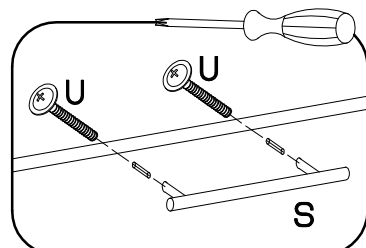
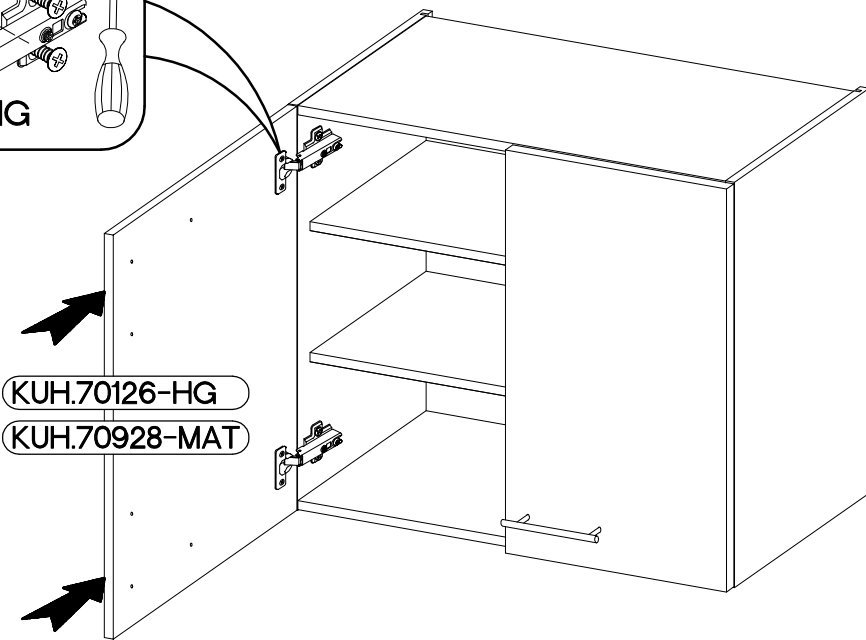
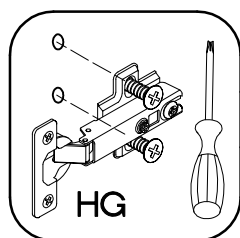
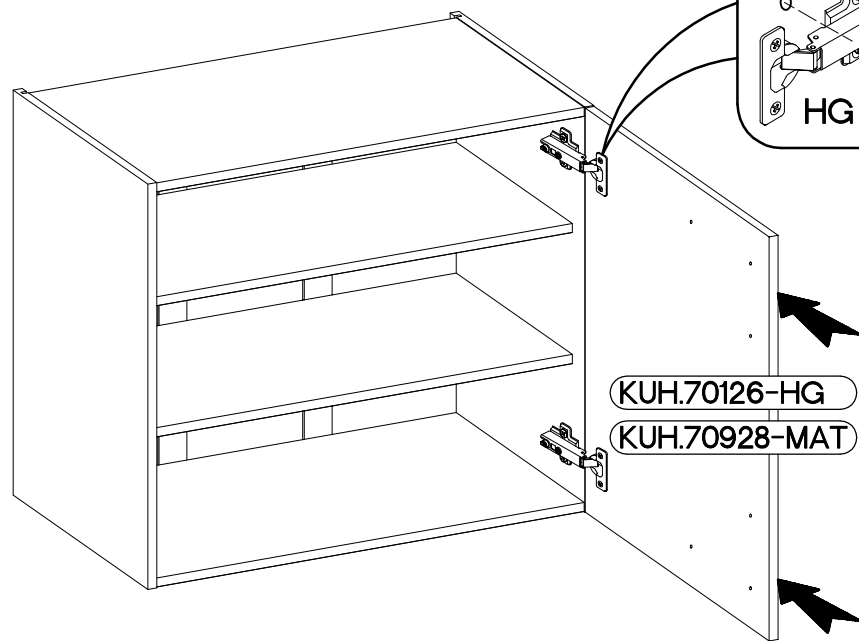
8

±35/0mm [CD] HG 4	±3.5x13mm P5 8
-------------------------	----------------------



9

M4x22mm	L=128mm
	
U	S
4	2



VARIANT HIGH GLOSS

