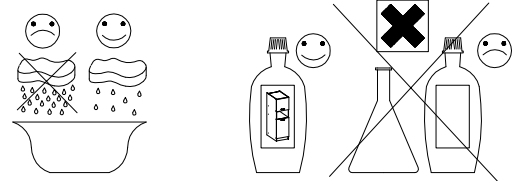
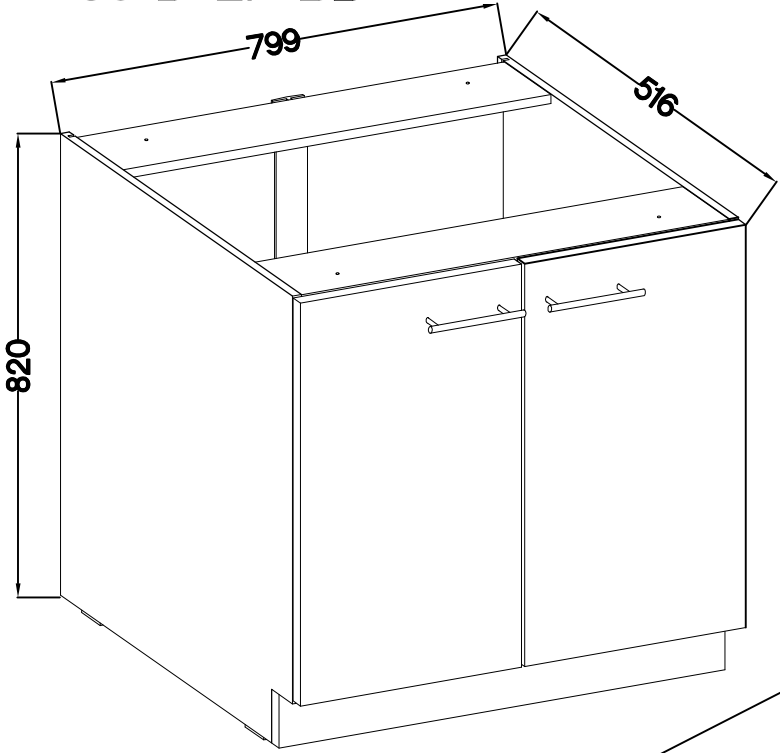


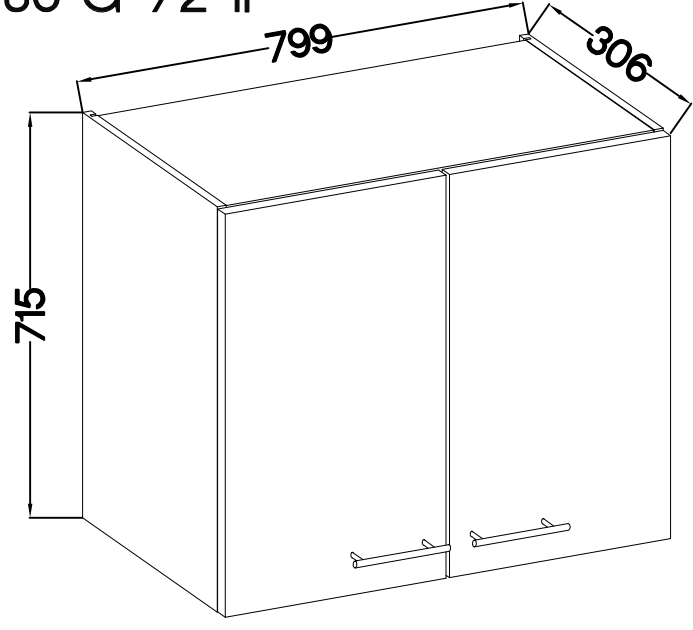
80 D 2F BB
80 ZL 2F BB
80 G-72 1F
FRONT



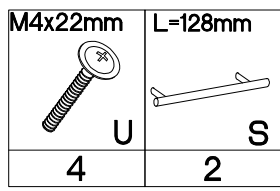
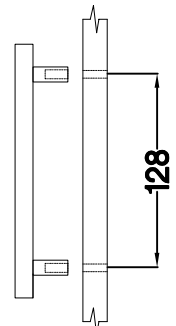
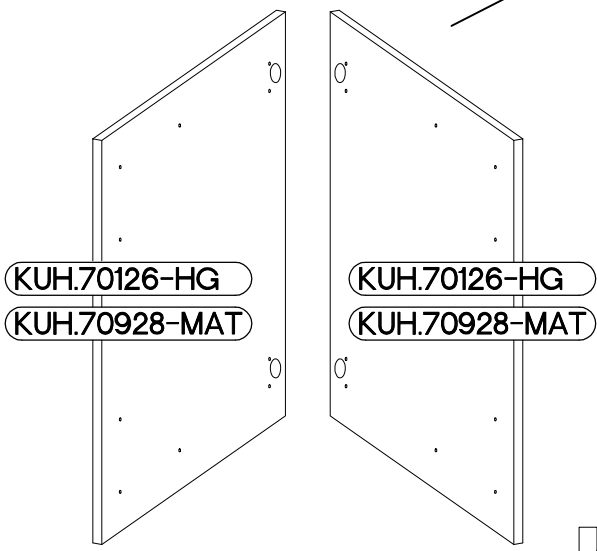
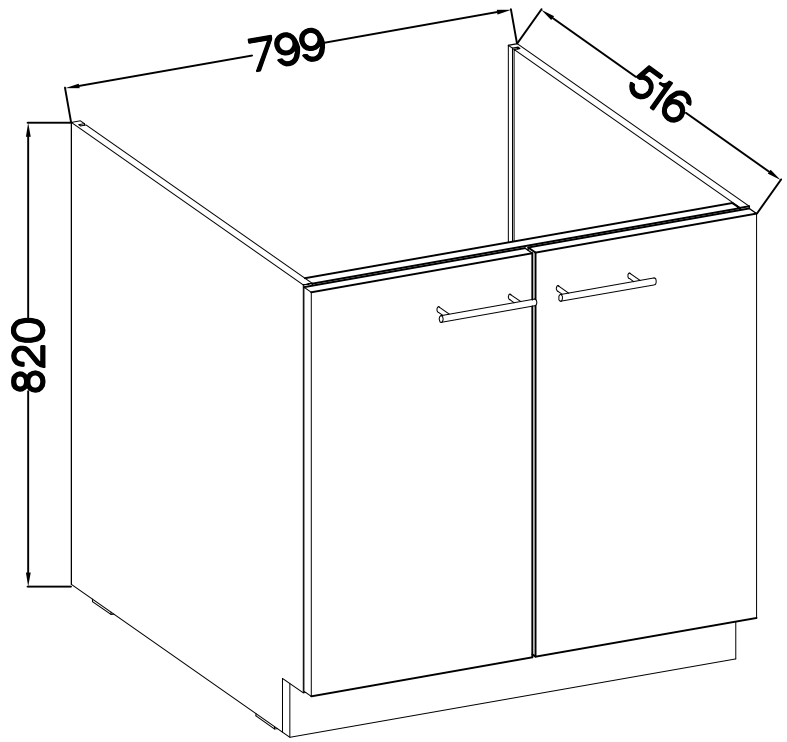
80 D 2F BB



80 G-72 1F



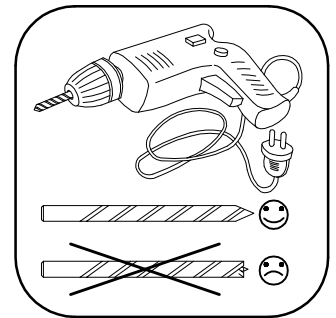
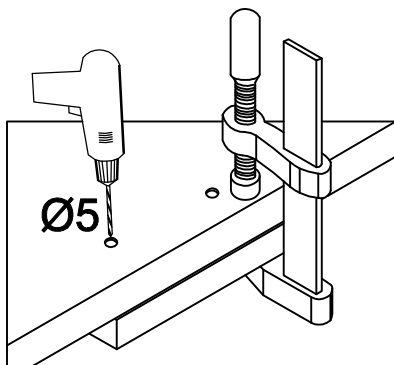
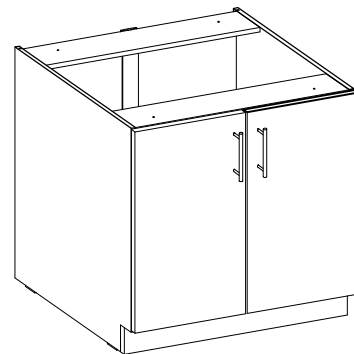
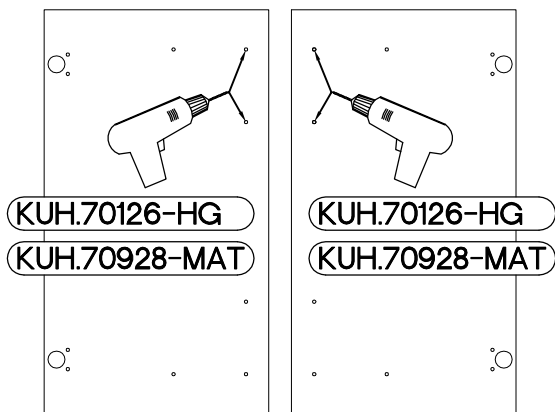
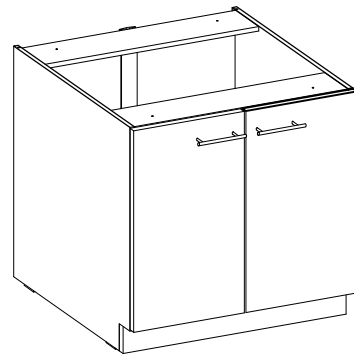
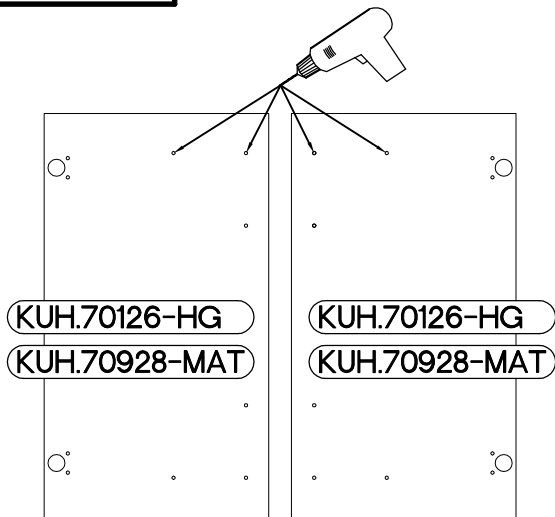
80 ZL 2F BB



ISM-KUH-01654

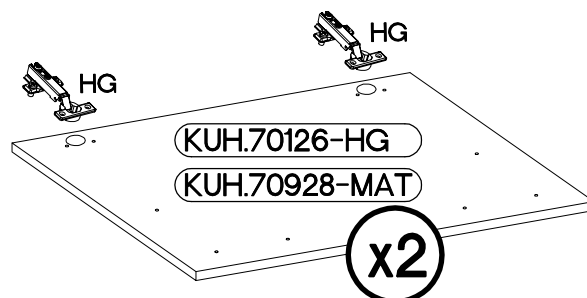
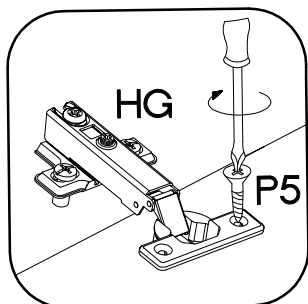
1

80 D 2F BB





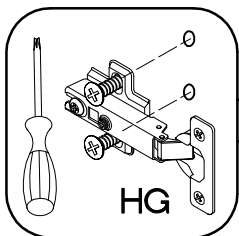
2

±35/0mm [CD] HG 4	±3.5x13mm P5 8
-------------------------	----------------------

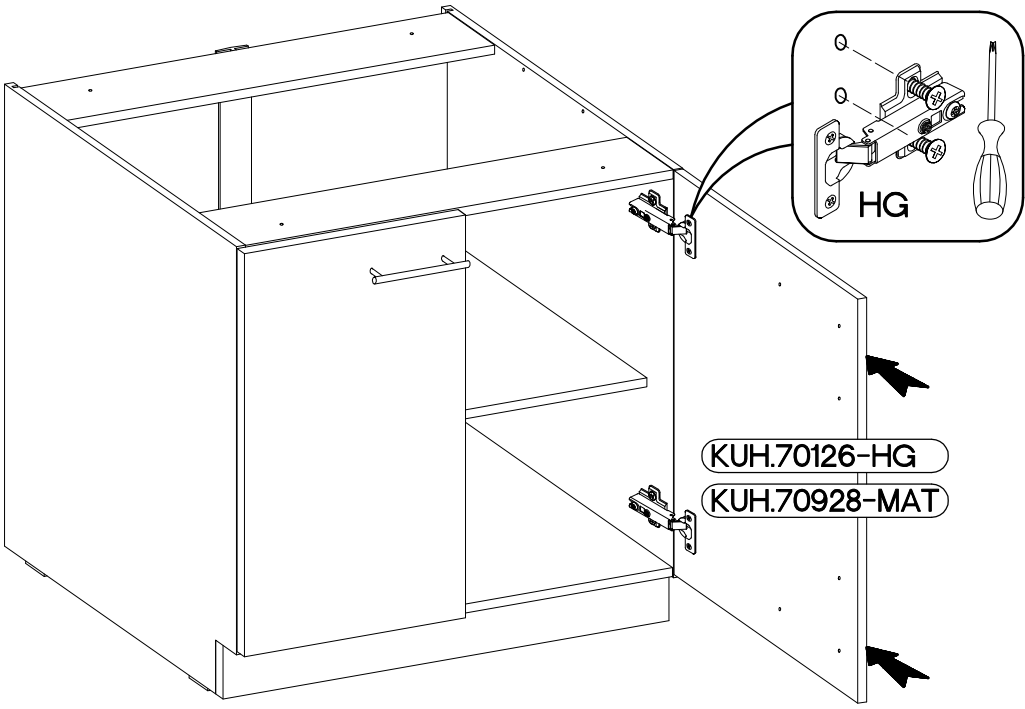
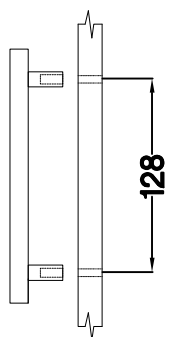


3

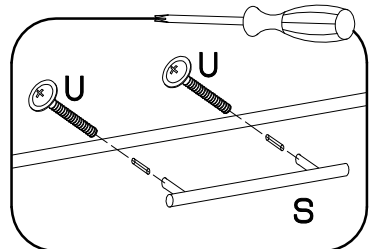
M4x22mm	L=128mm
	
U	S
4	2



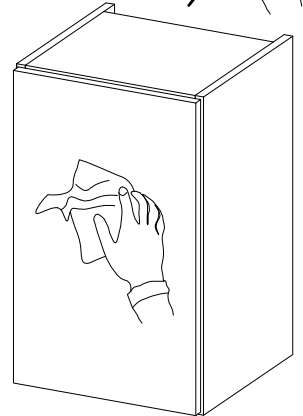
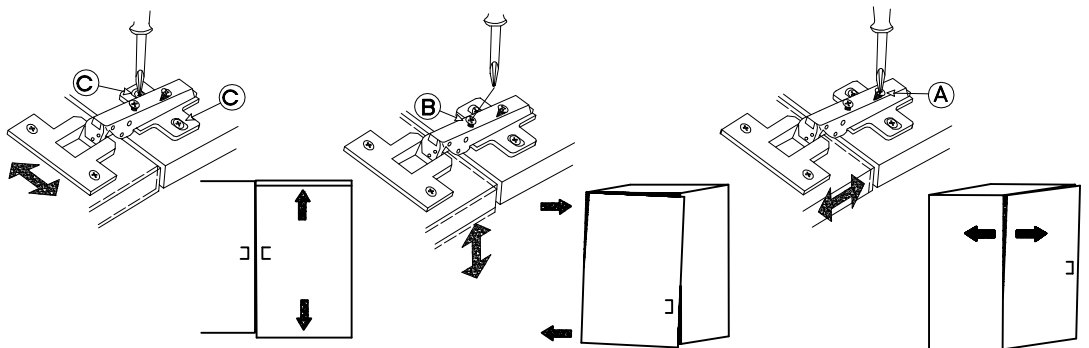
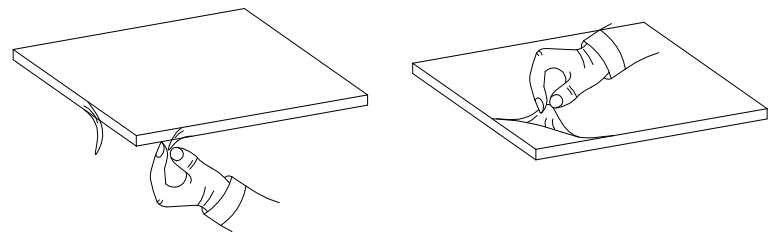
KUH.70126-HG
KUH.70928-MAT



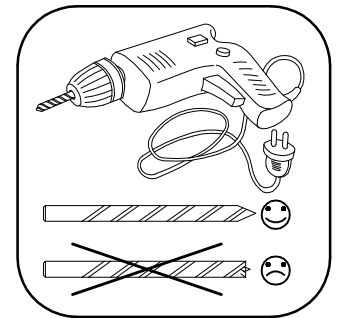
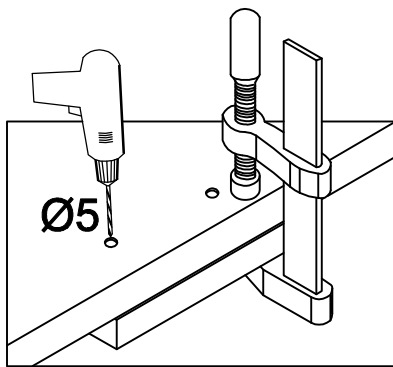
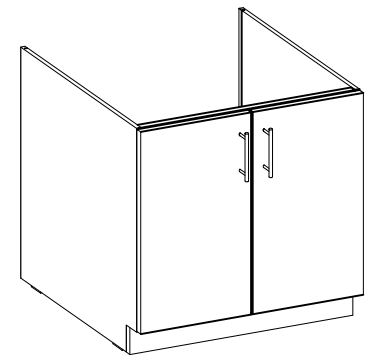
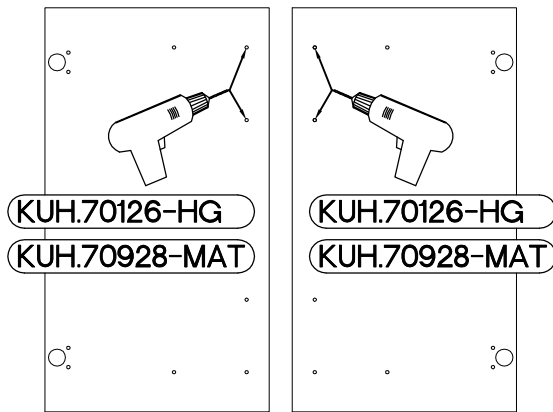
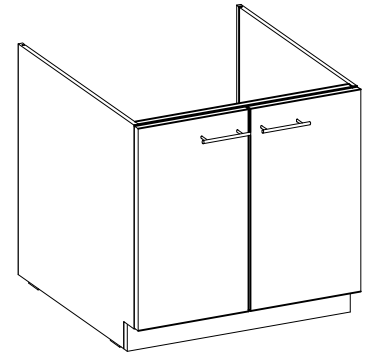
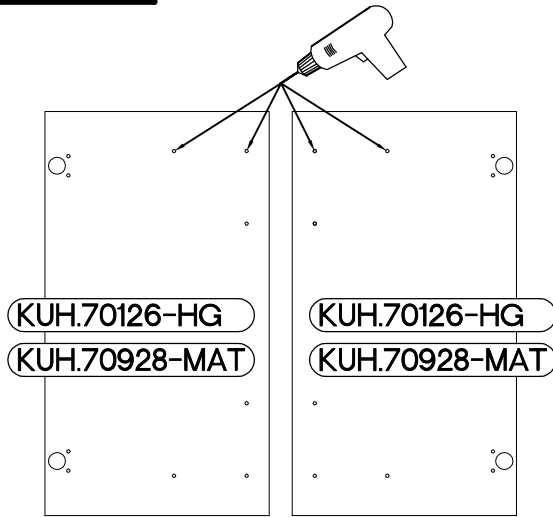
KUH.70126-HG
KUH.70928-MAT





VARIANT HIGH GLOSS

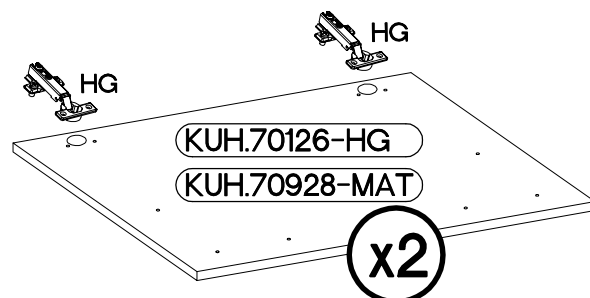
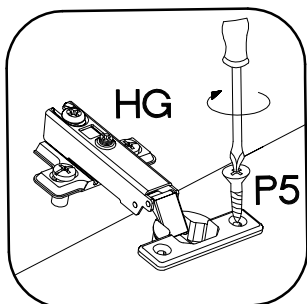


4 80 D ZL BB





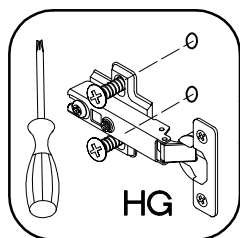
5

$\pm 35/0\text{mm}$  [CD] HG 4	$\pm 3.5 \times 13\text{mm}$  P5 8
--	--

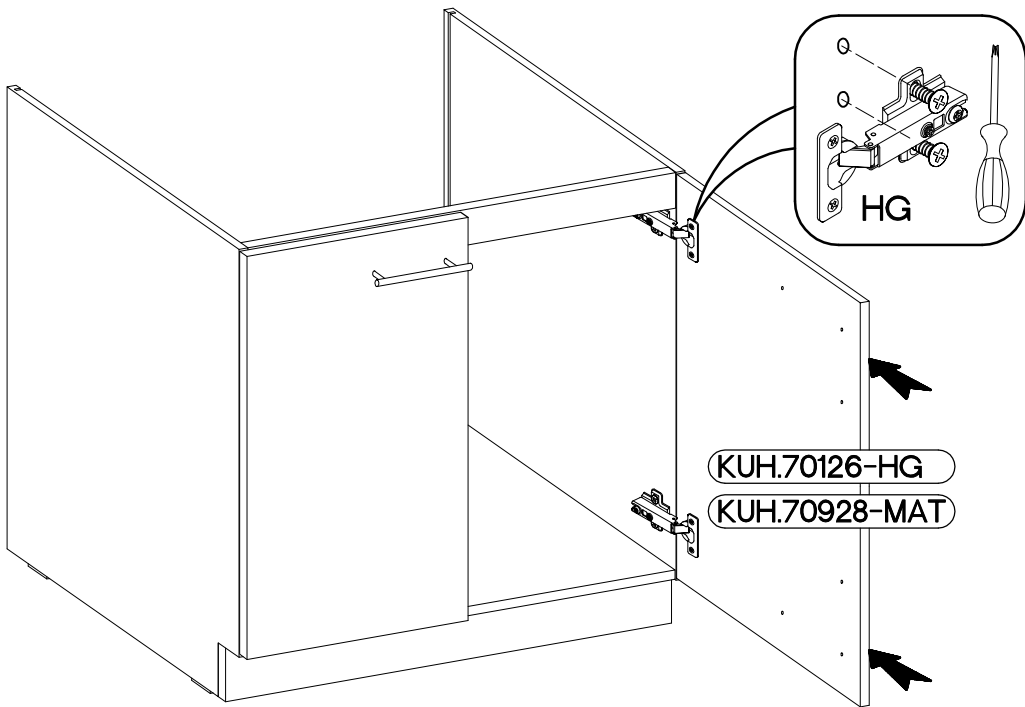
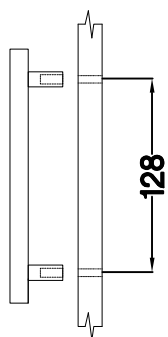


6

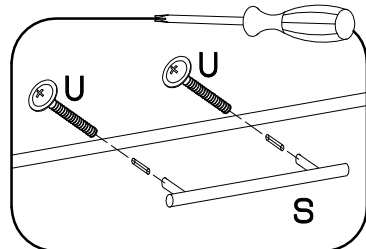
M4x22mm	L=128mm
	
U	S
4	2



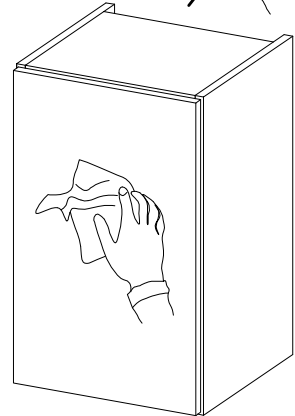
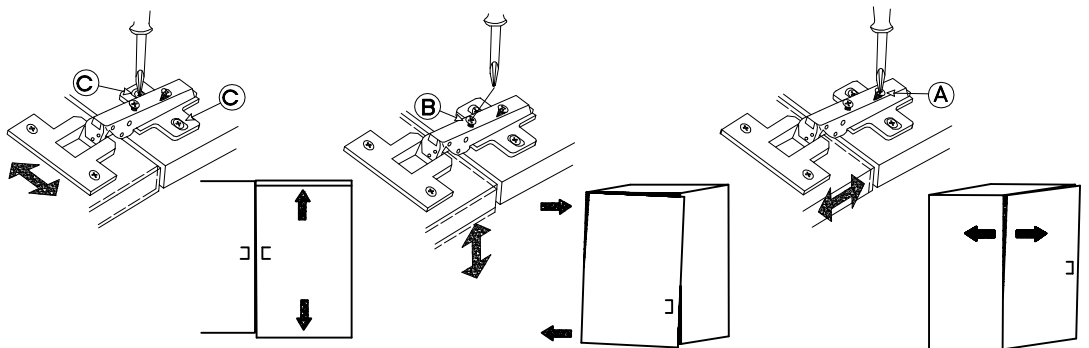
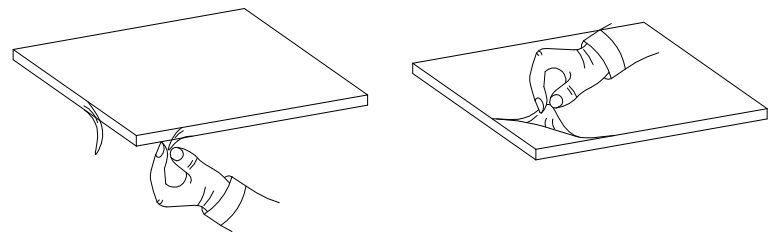
KUH.70126-HG
KUH.70928-MAT



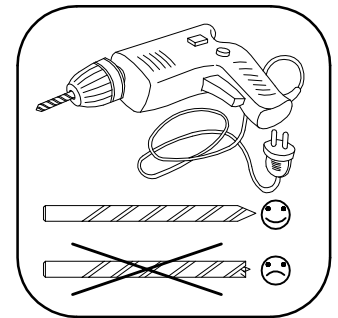
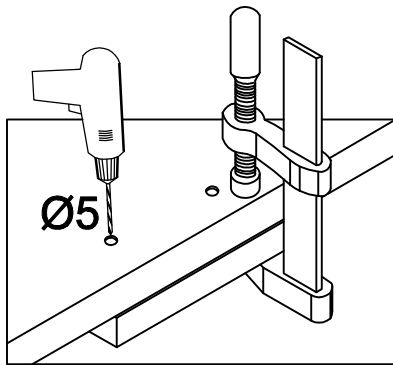
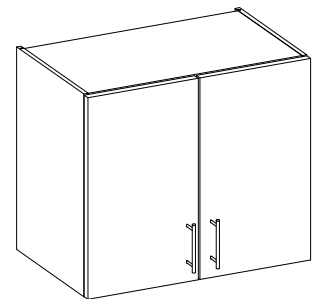
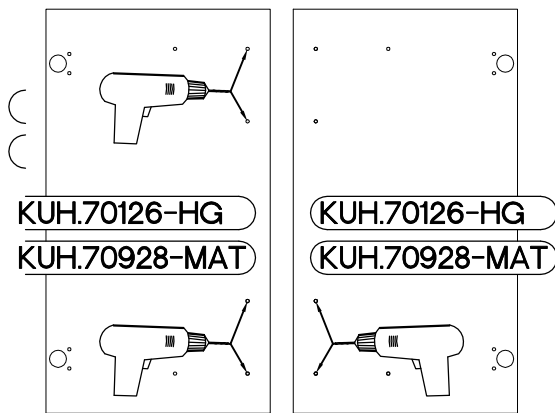
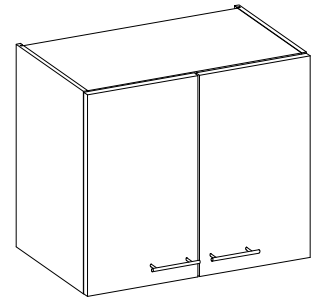
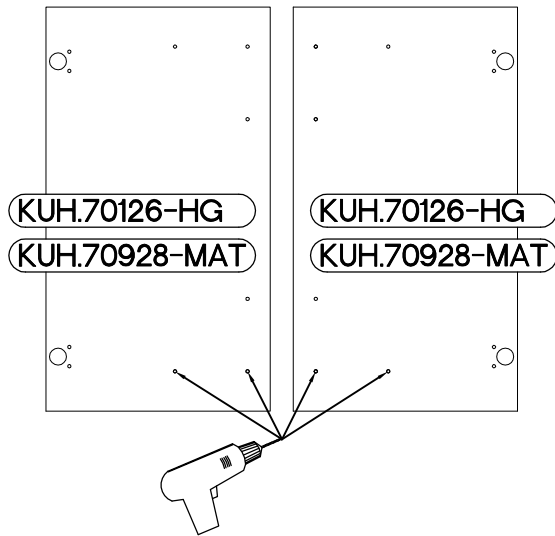
KUH.70126-HG
KUH.70928-MAT



VARIANT HIGH GLOSS

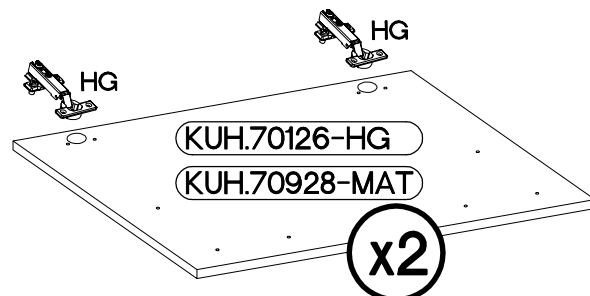
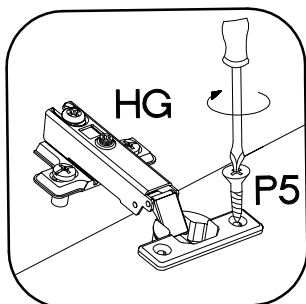


7 80 G-72 1F





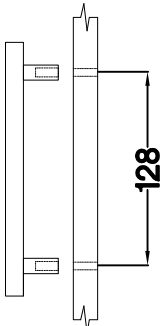
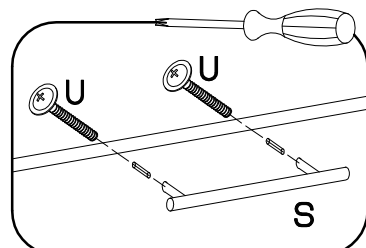
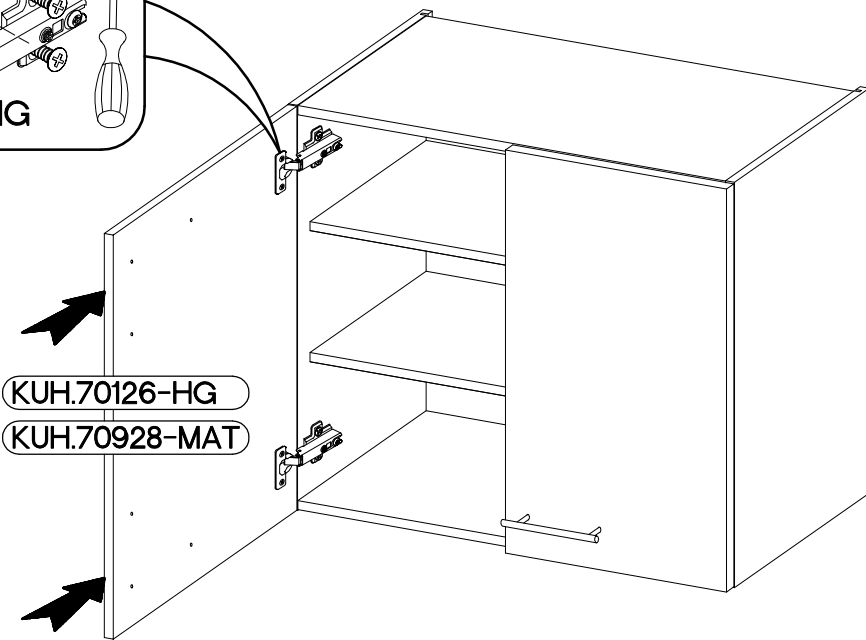
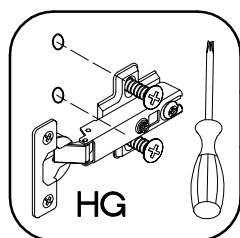
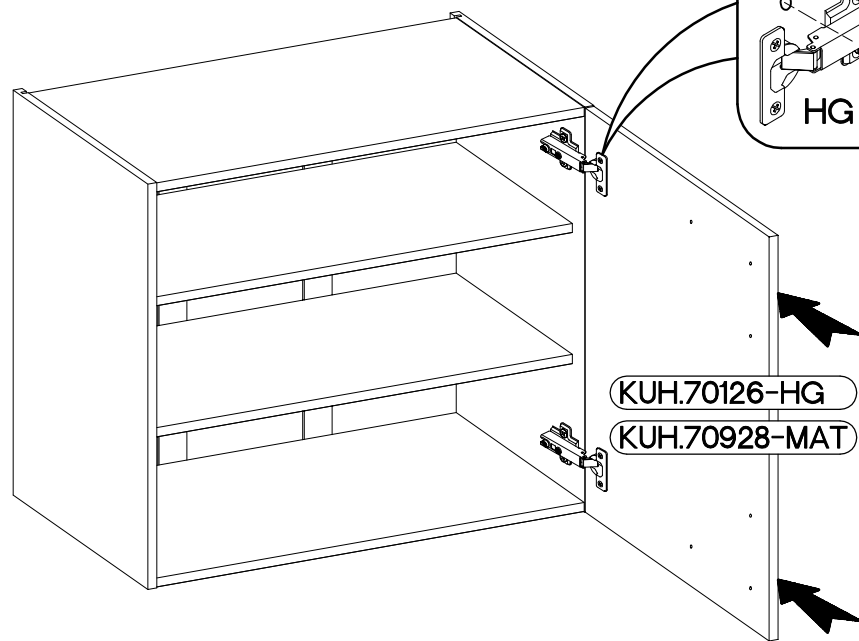
8

±35/0mm [CD] HG 4	±3.5x13mm P5 8
-------------------------	----------------------

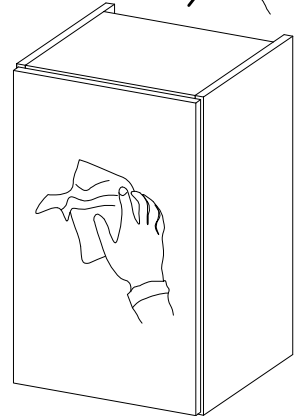
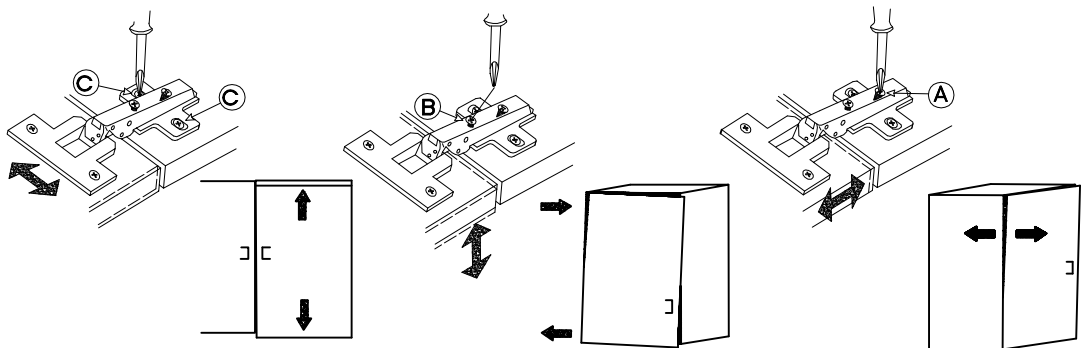
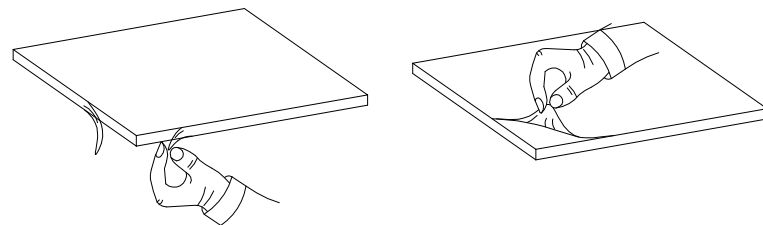


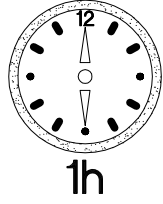
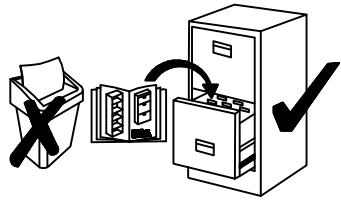
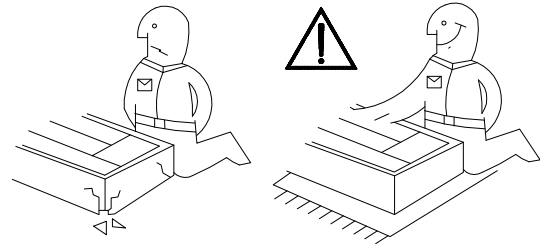
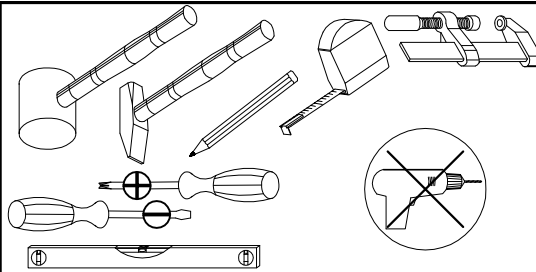
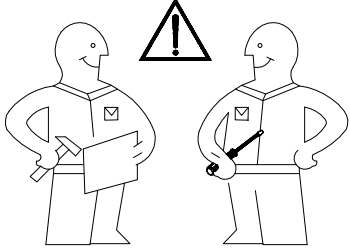
9

M4x22mm	L=128mm
	
U	S
4	2

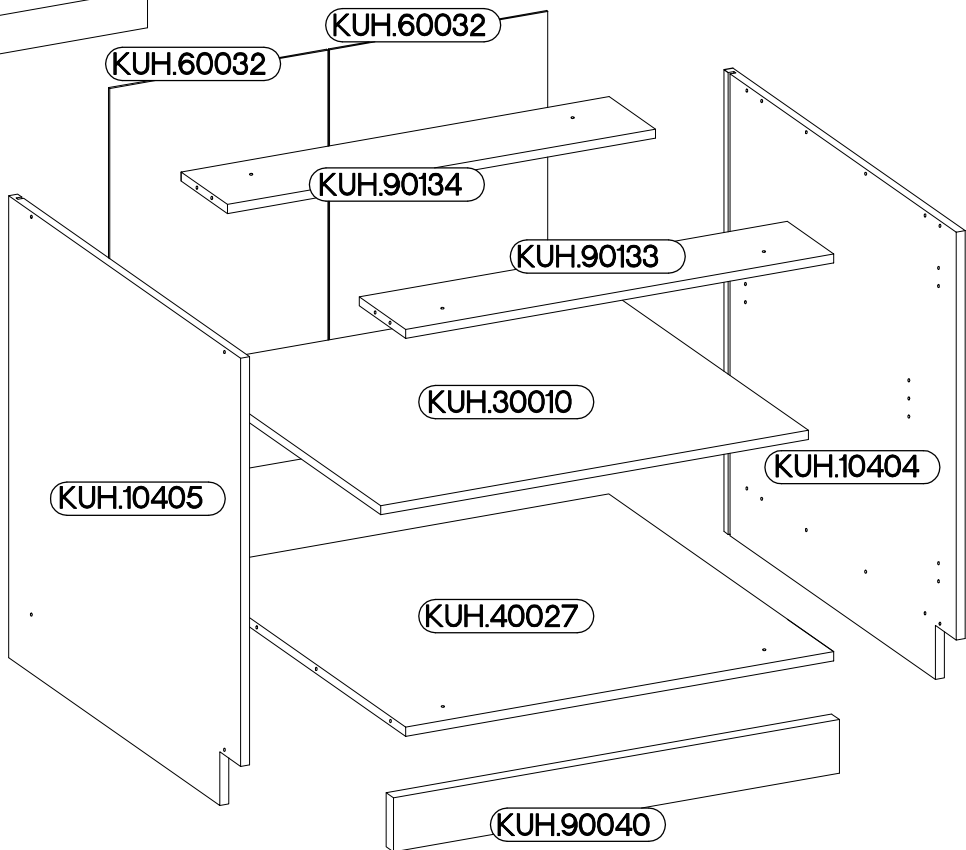
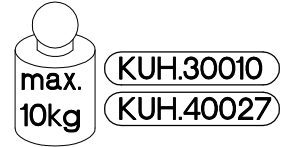
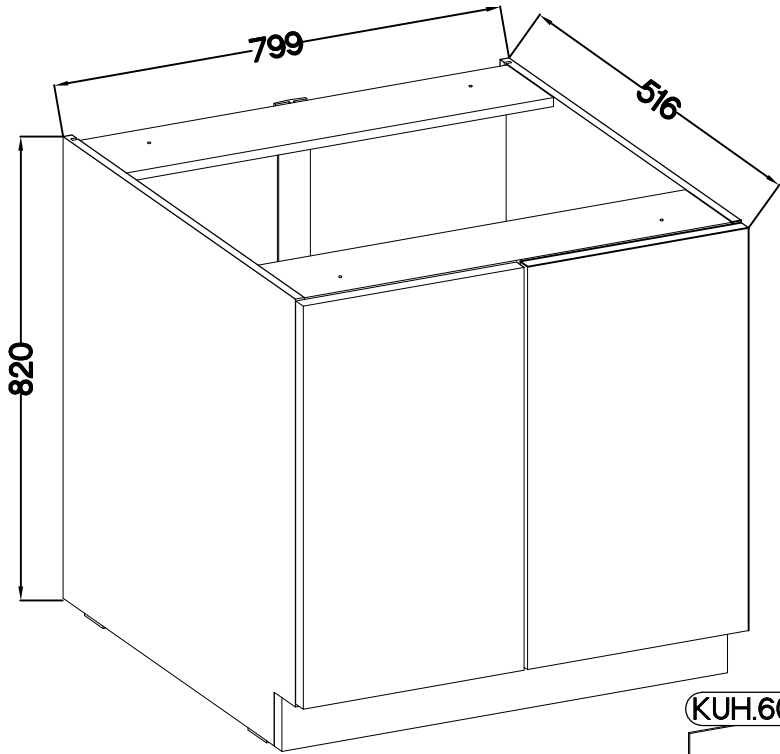
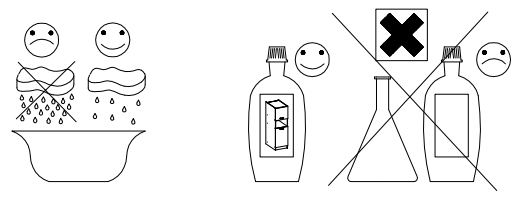


VARIANT HIGH GLOSS





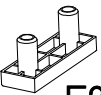
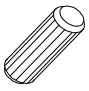
80 D 2F BB

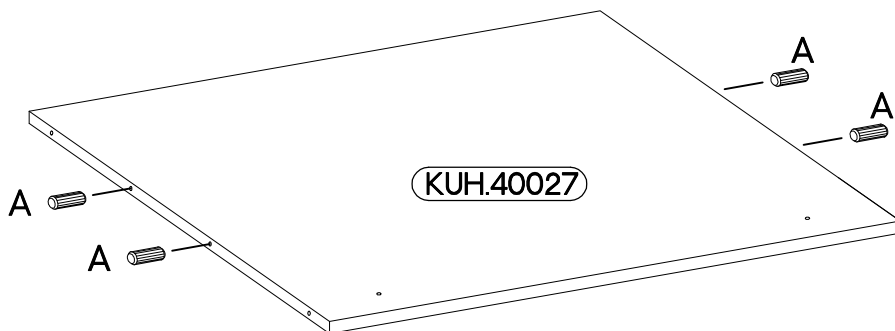
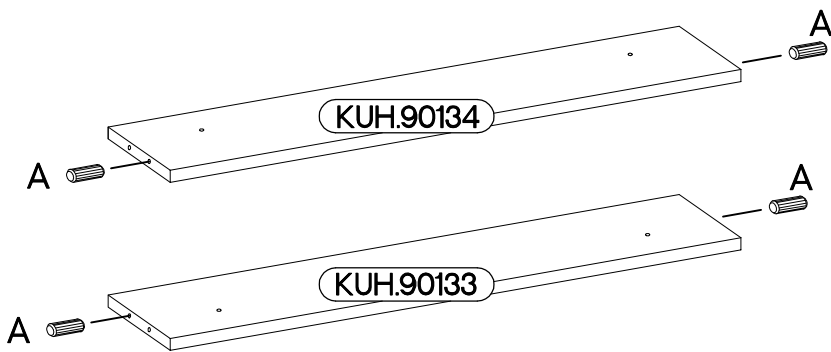
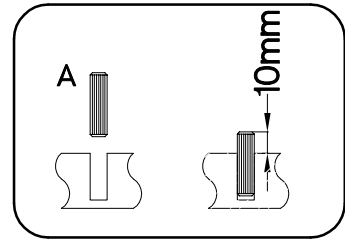
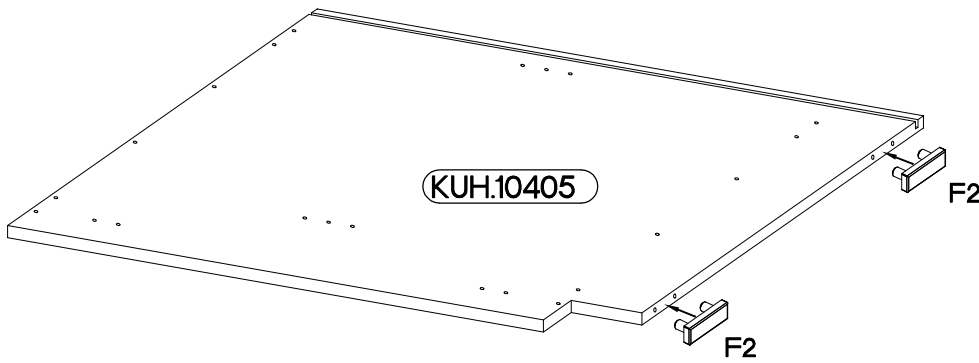
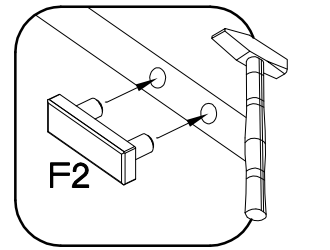
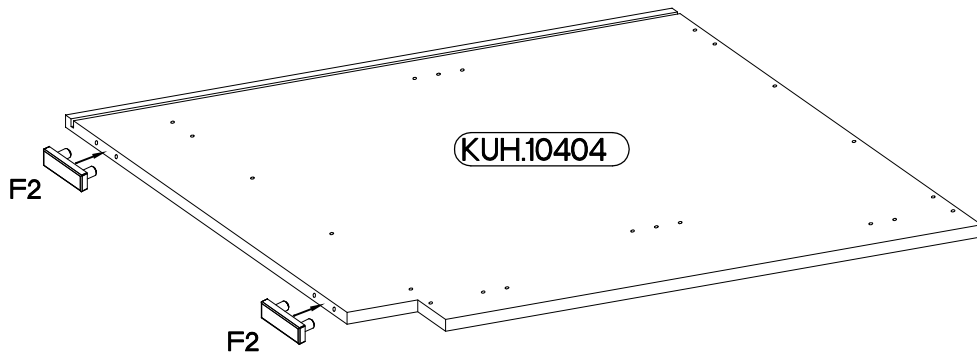
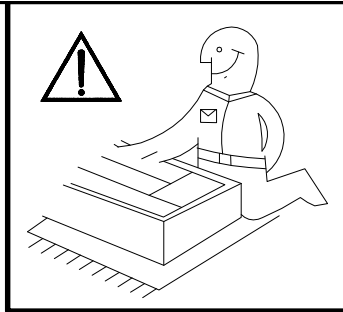


ø8x30mm A	6,4 x 50mm B	E1			
8	8	8			
E9	6.5x48x16 F2	†35/0mm [CD] HG	†5/19mm J		
2	4	4	4		
L1=680mm L1	O	†3.5x13mm P5	†4.0x45mm P4	†3.0x20mm P7	†4.0x35mm R3
1	1	8	2	10-15	4

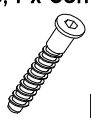
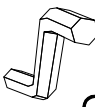
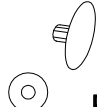
ISM-KUH-01628

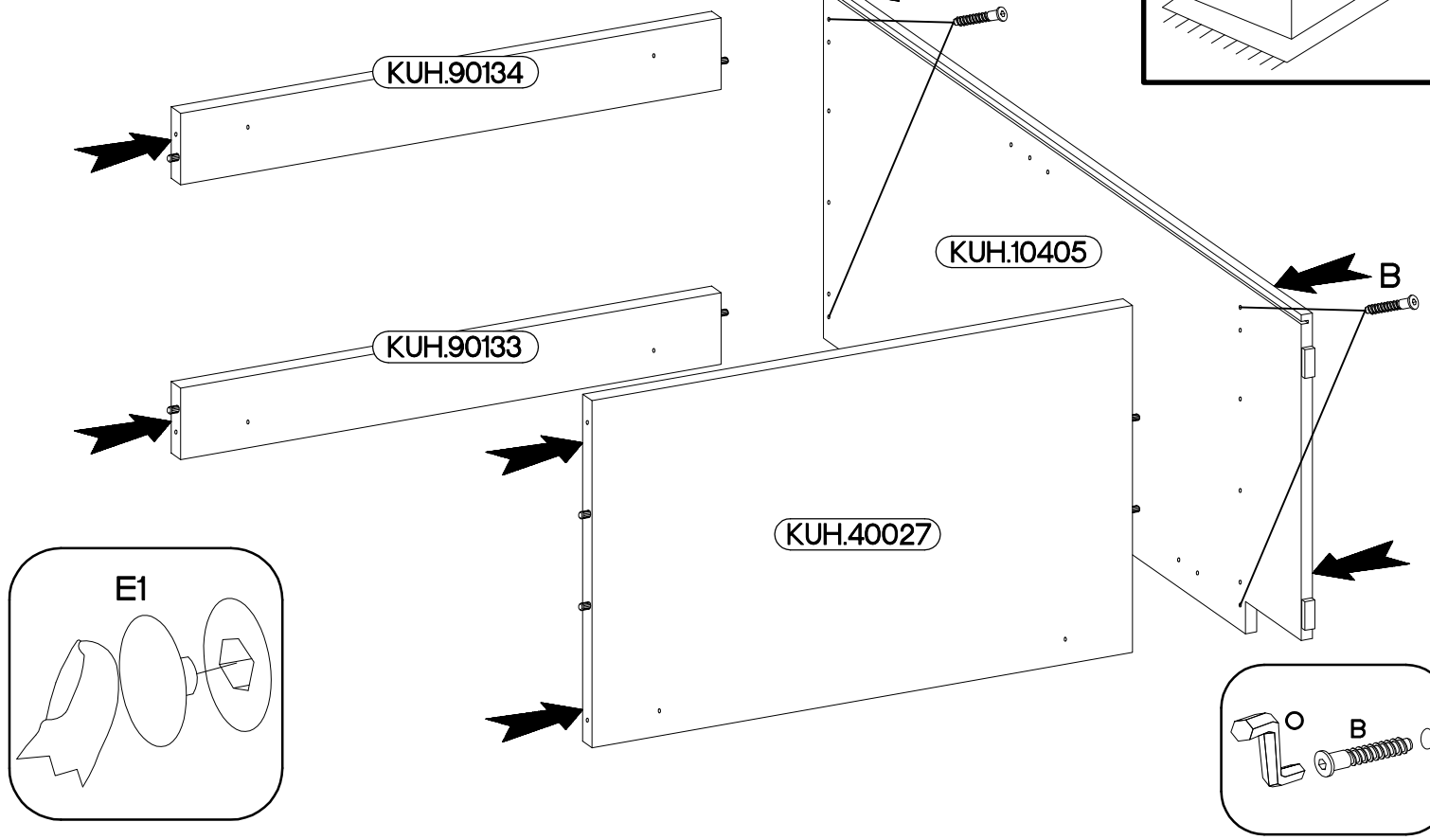
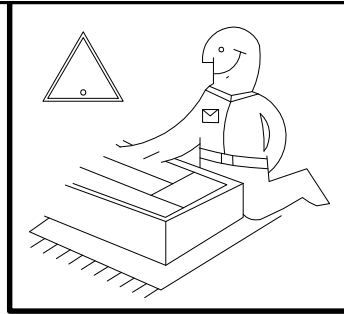
1

6.5x48x16  F2 4	+8x30mm  A 8
--	---

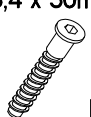
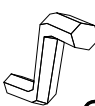



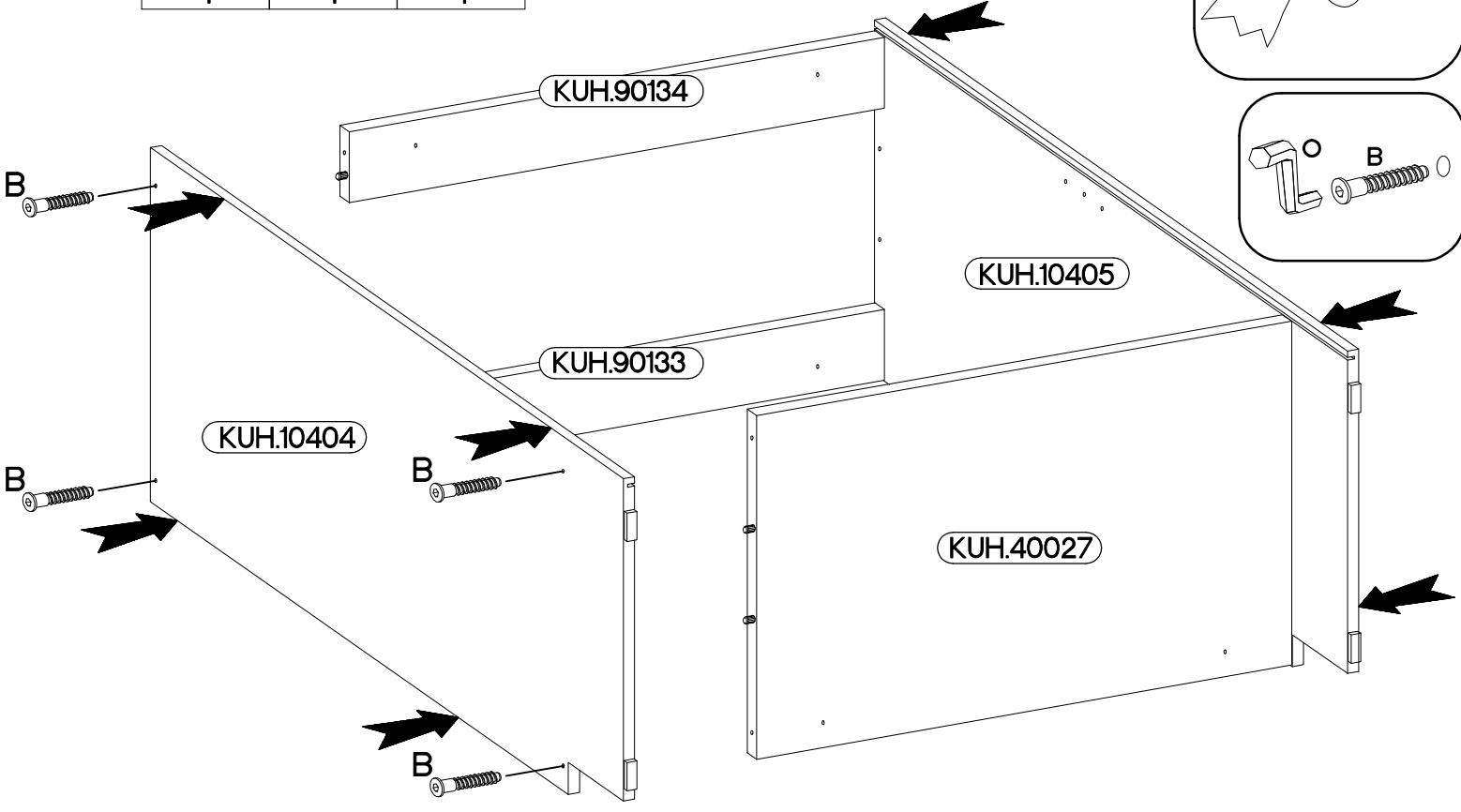
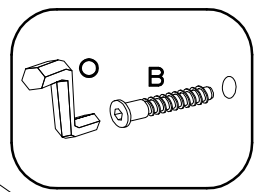
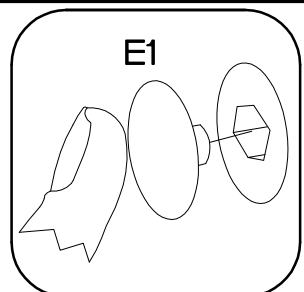
2

6,4 x 50mm		
		
B	O	E1
4	1	4

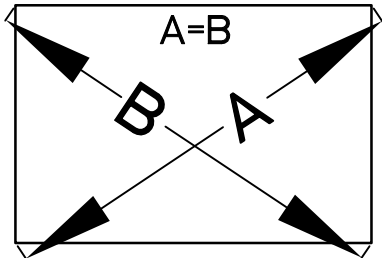
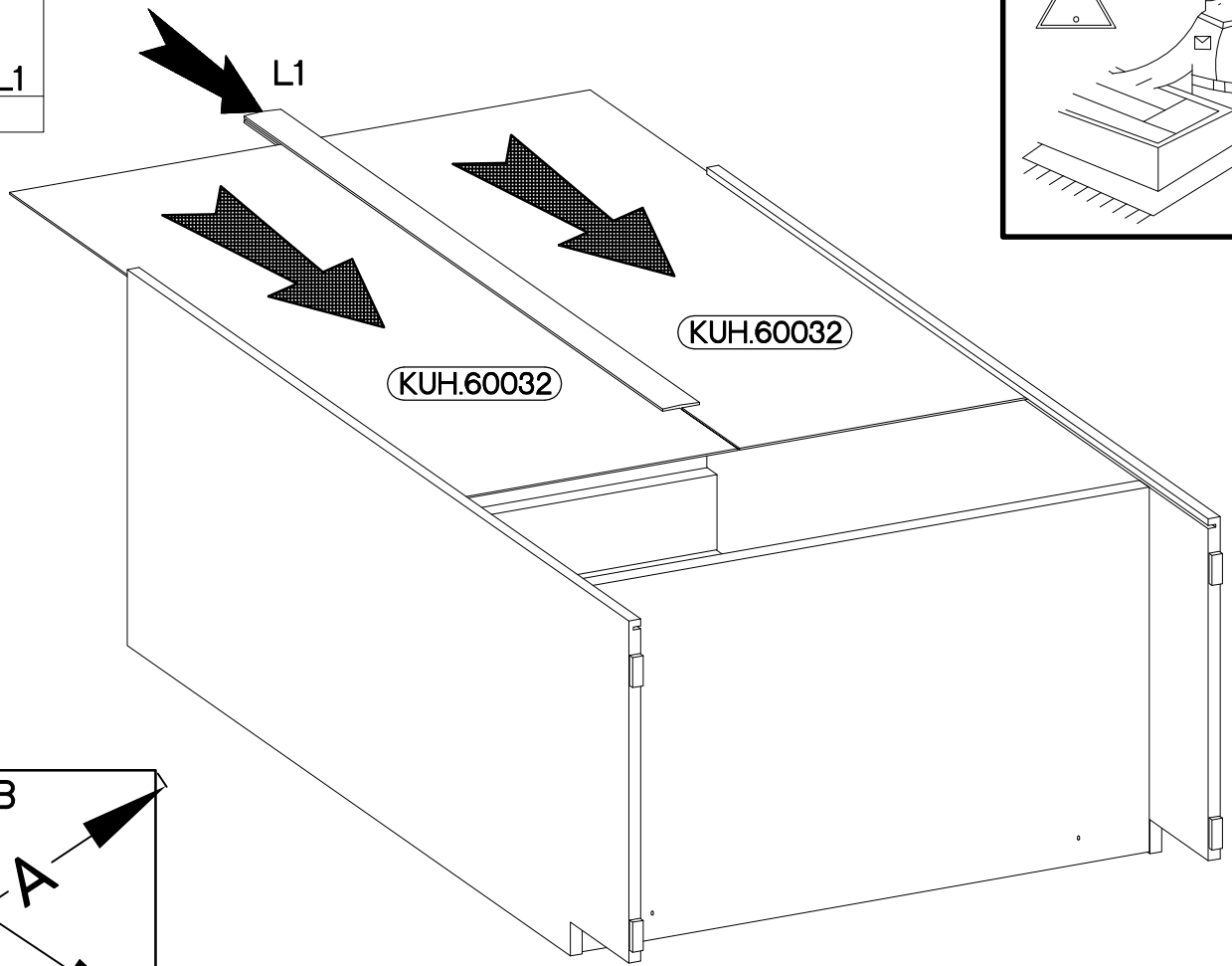
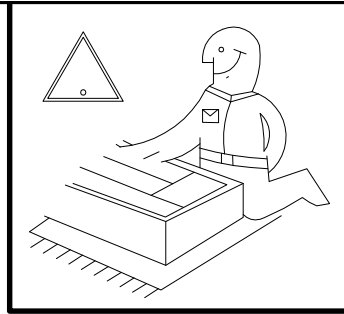
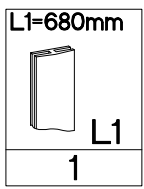


3

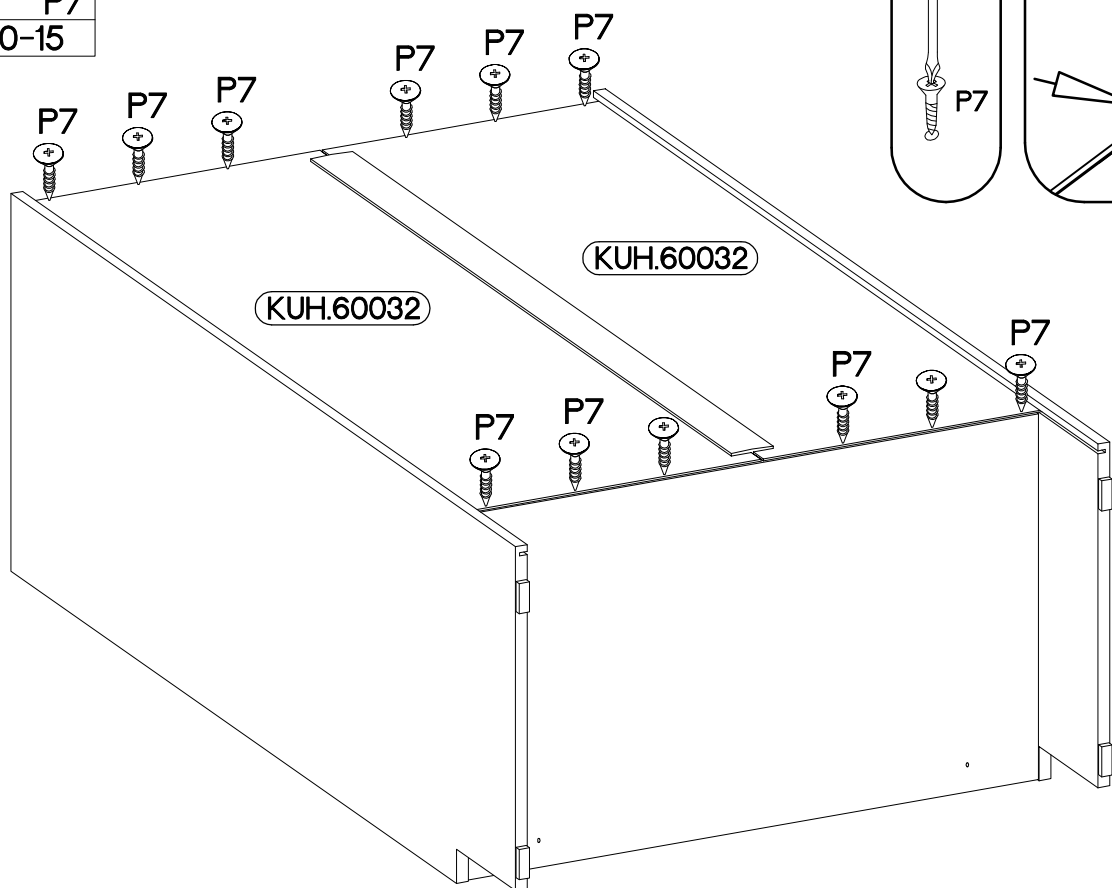
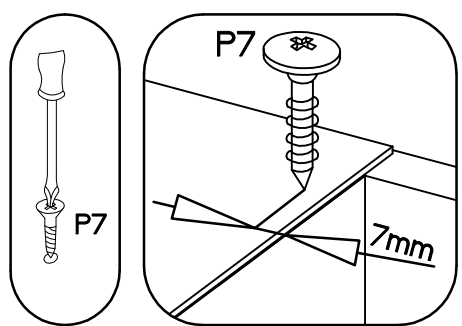
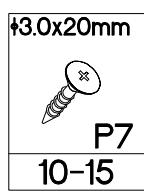
6,4 x 50mm		
		
B	O	E1
4	1	4





4

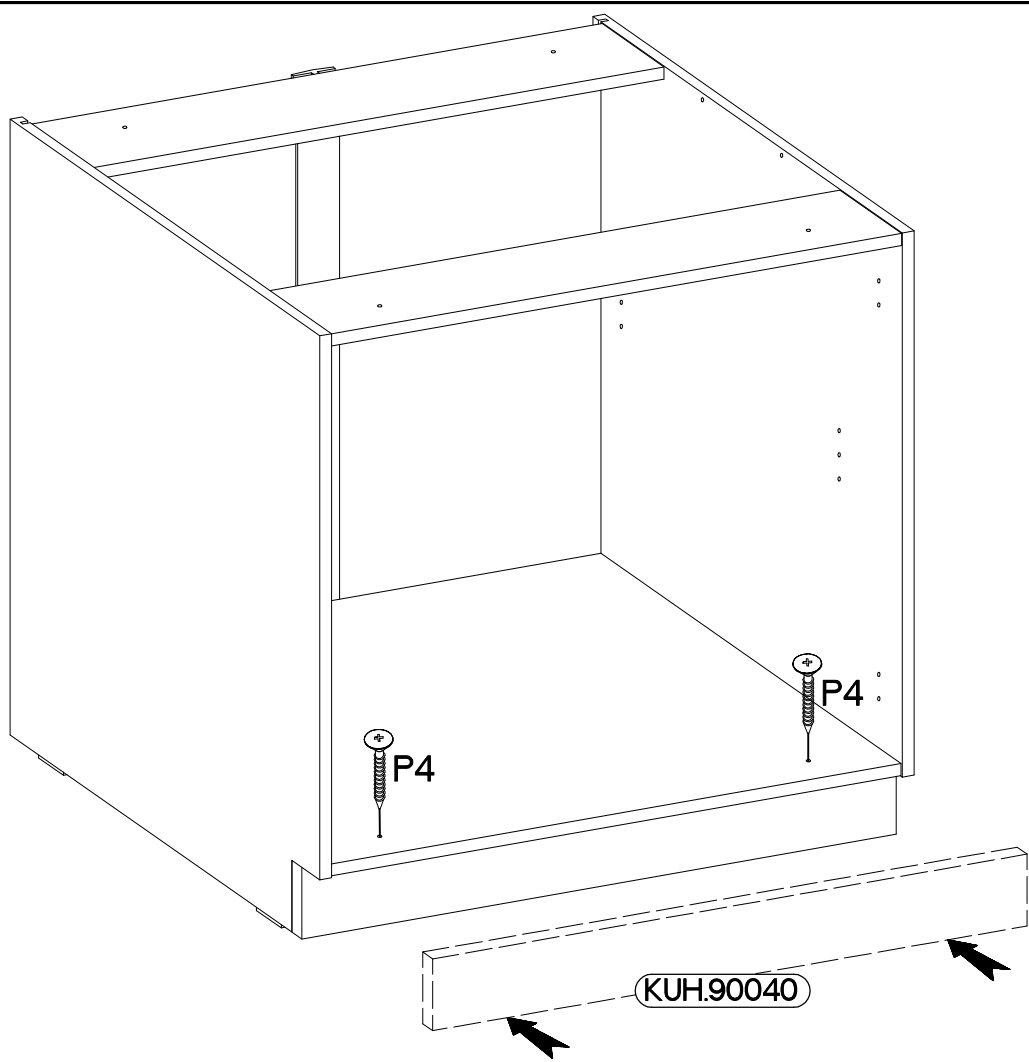


5




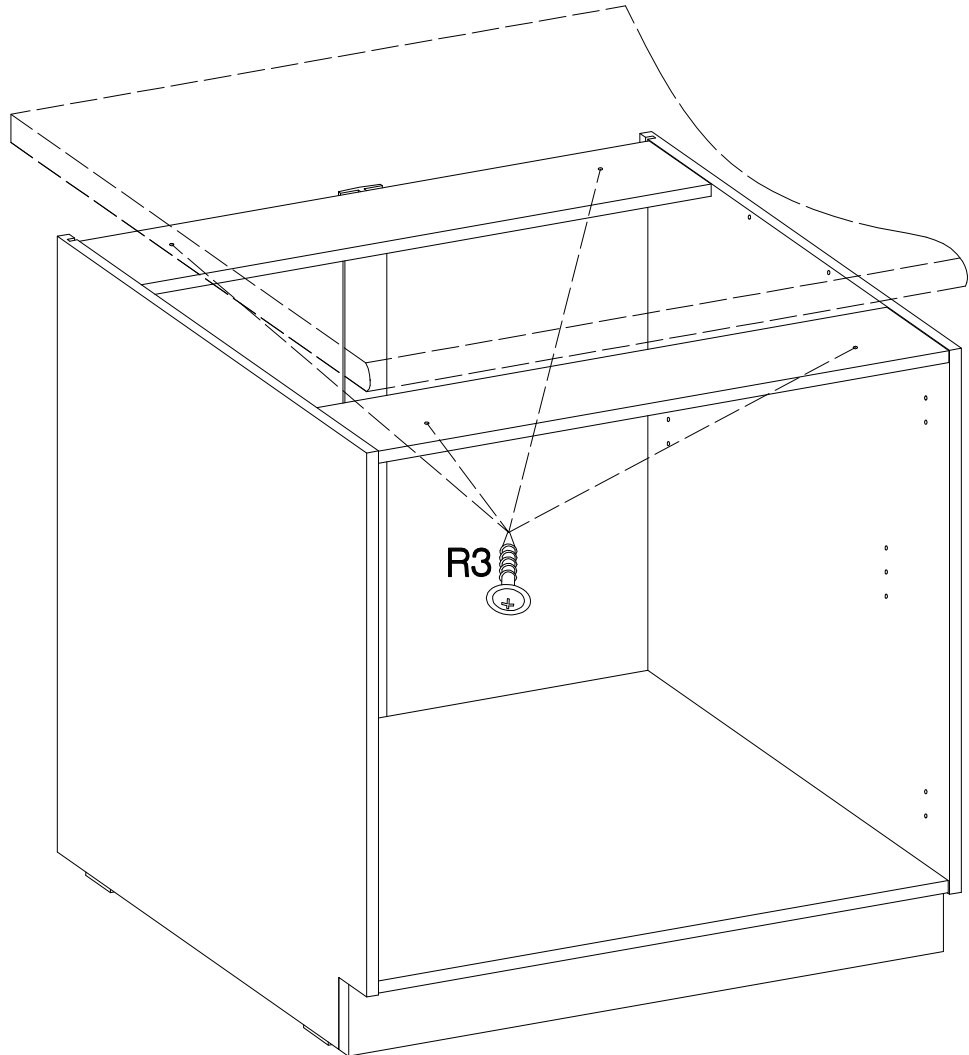
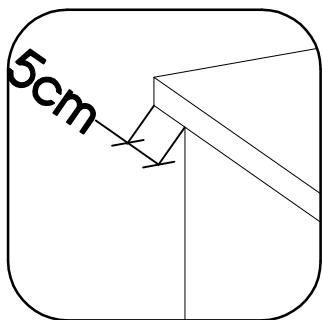
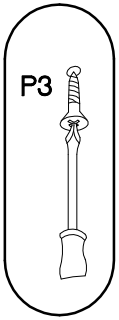
6

+4.0x45mm	
	
P4	E9
2	2



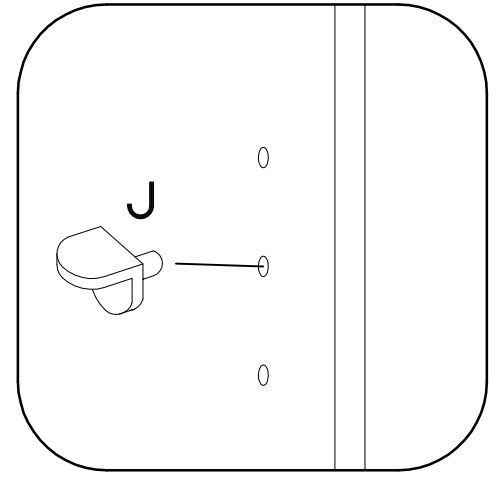
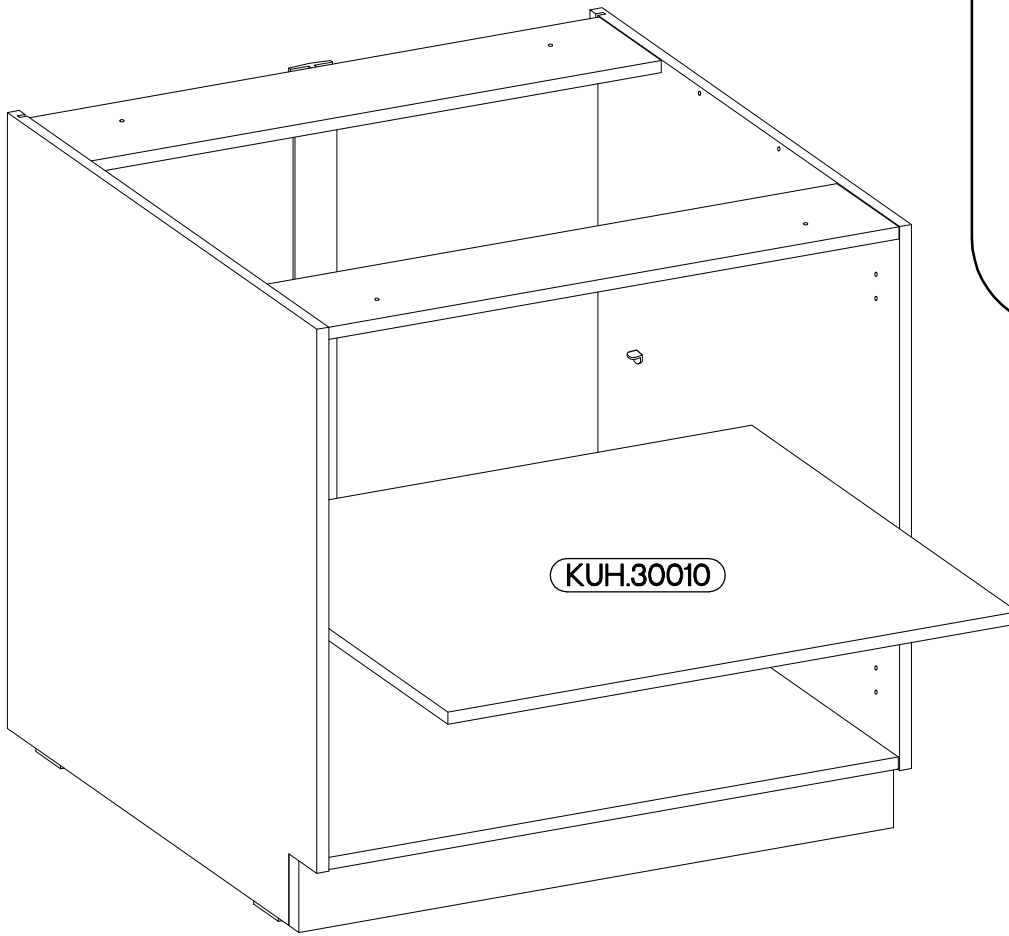
7

+4.0x35mm	
	R3
4	



8

±5/19mm
J
4



9

FRONT

