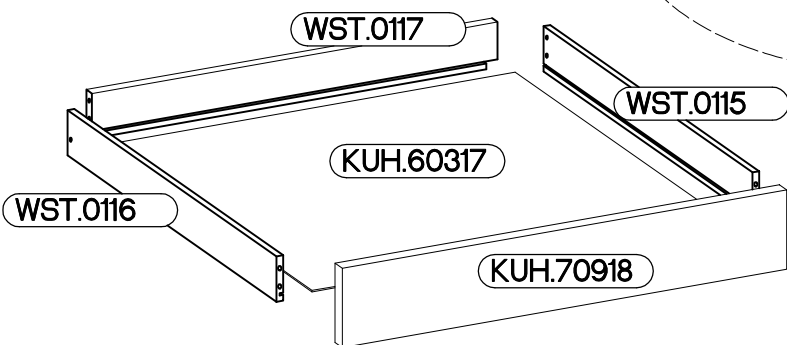
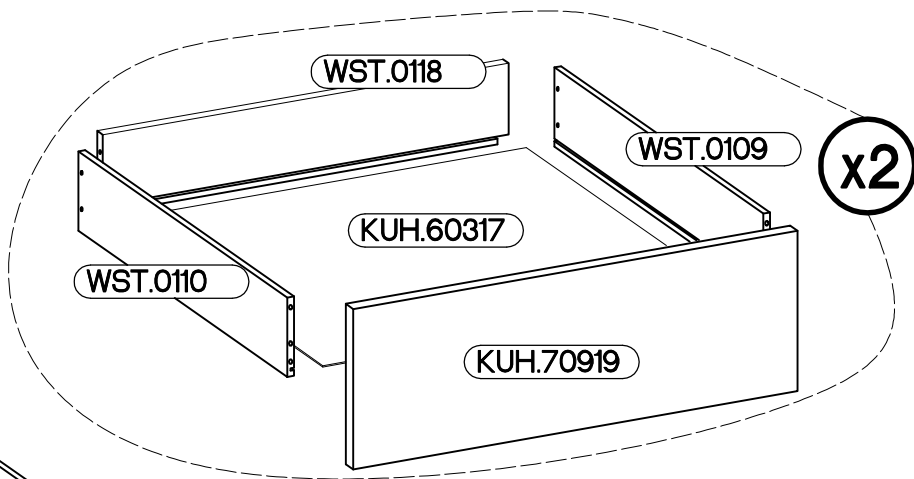
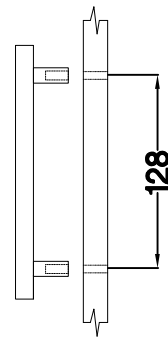
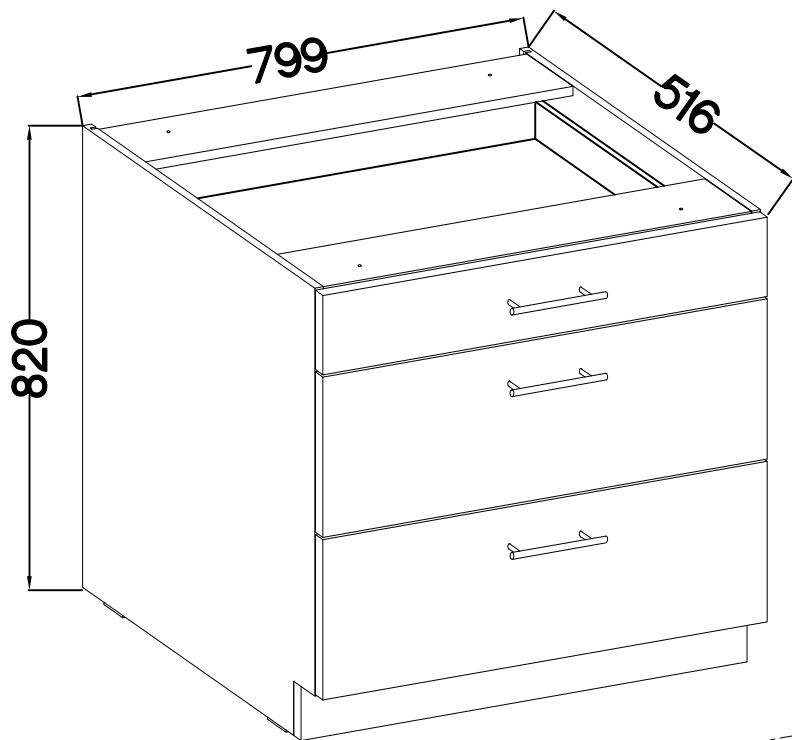
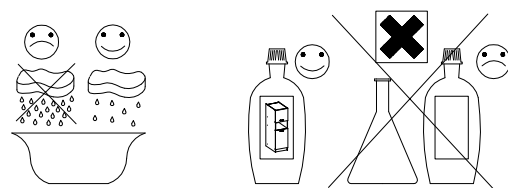


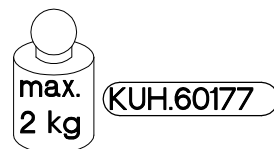


80 D 3S BB -
QUADRO
FRONT


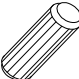



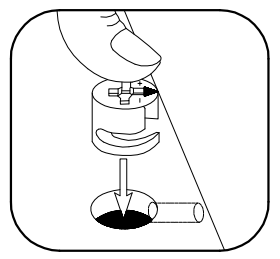
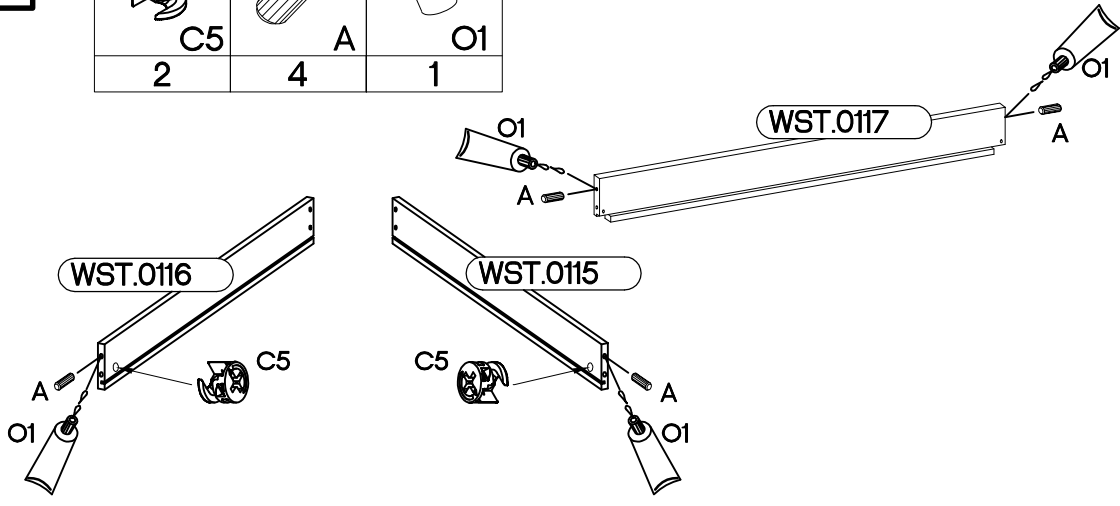
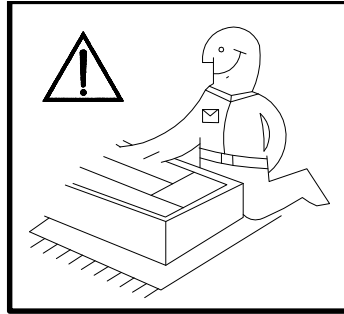
M4x22mm	L=128mm
	
U	S
6	3





ISM-KUH-01655

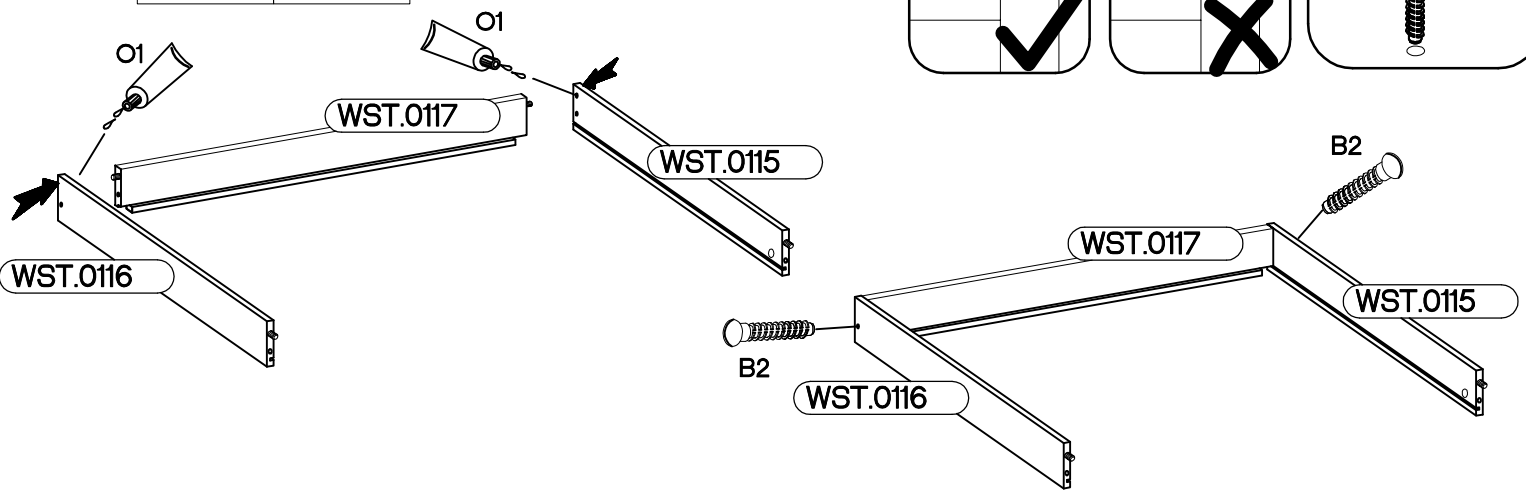
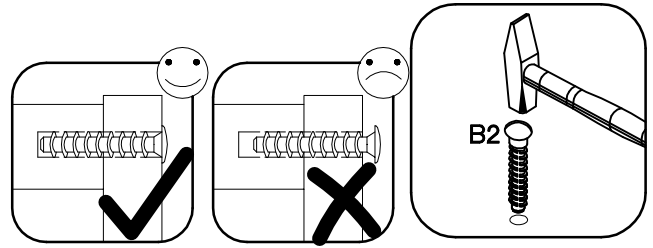
1

+12/10mm  C5 2	+8x30mm  A 4	 O1 1
---	---	---

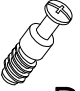


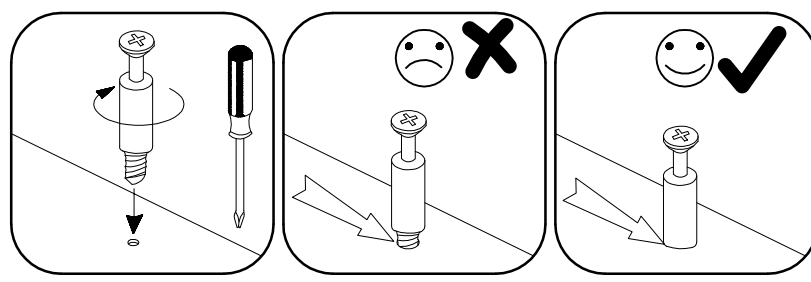
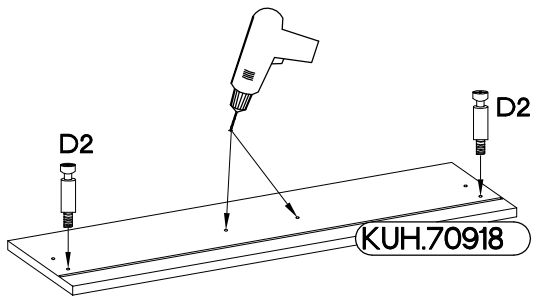
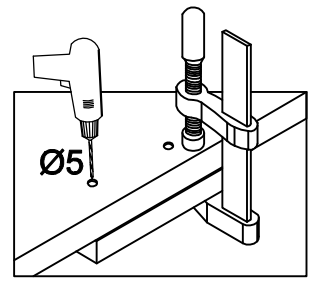
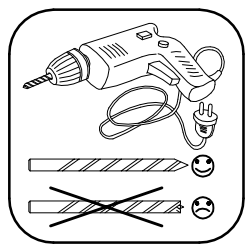
2

+6x42mm  B2 2	 O1 1
---	--

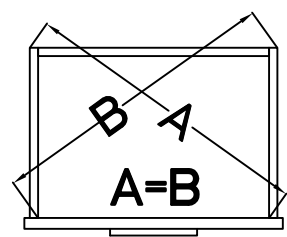
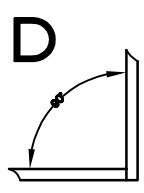
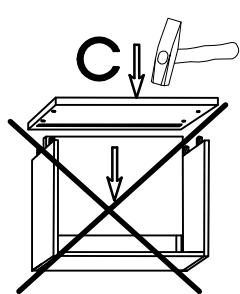
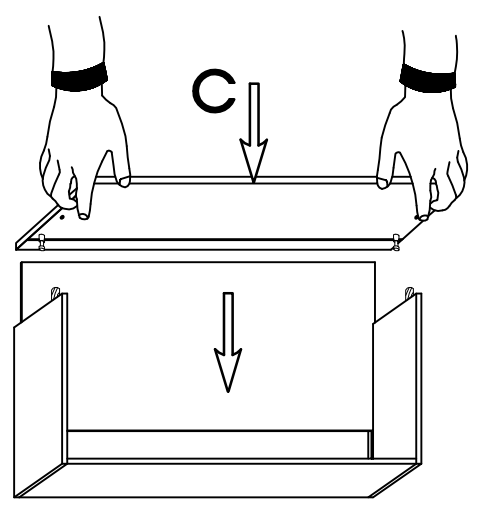
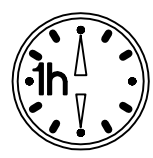
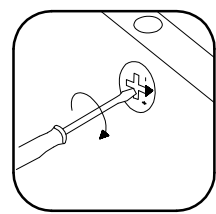
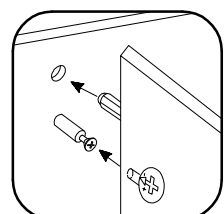
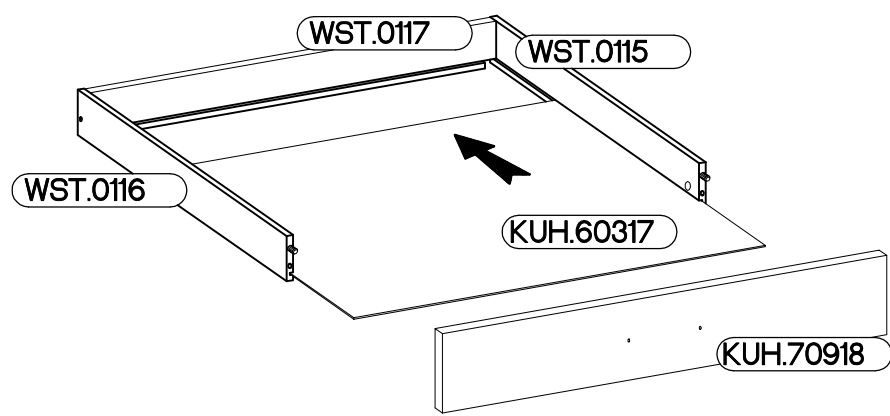
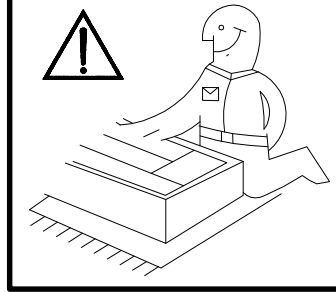
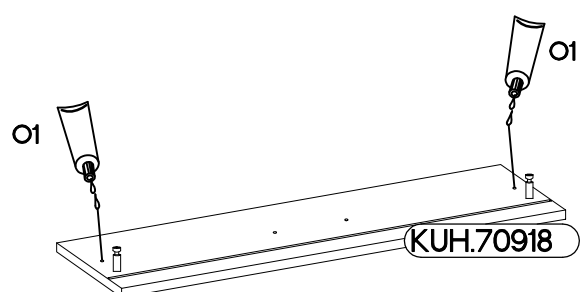
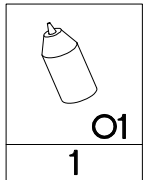


3

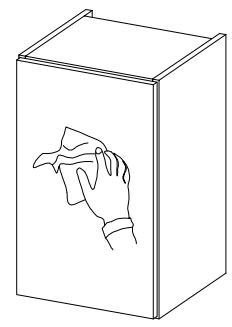
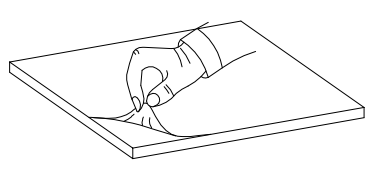
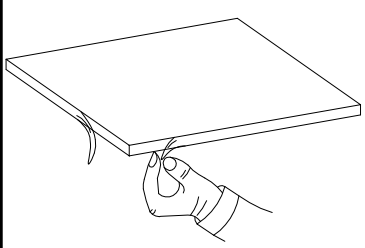
L=20mm  D2 2
--



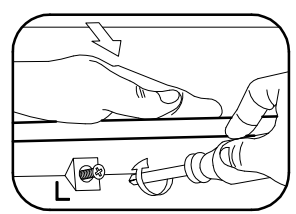
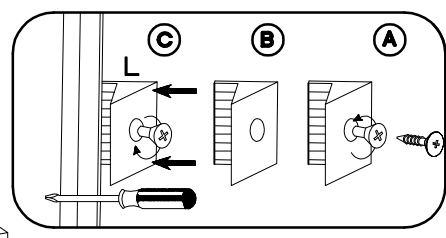
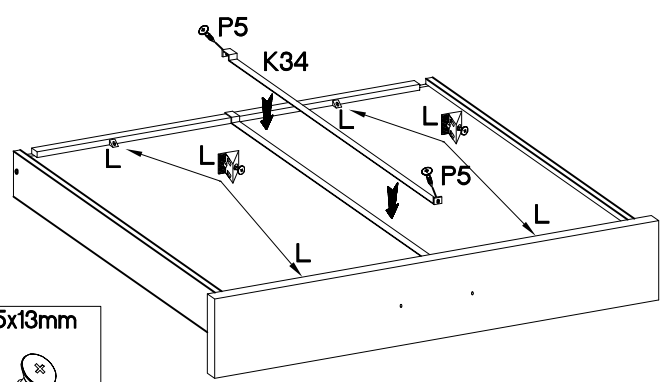
4



VARIANT HIGH GLOSS


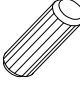



5

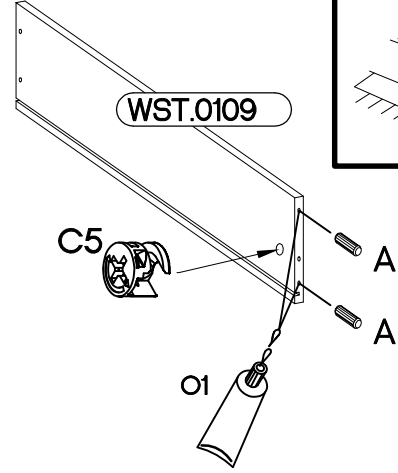
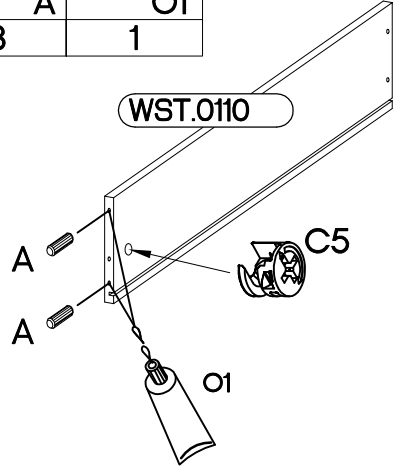
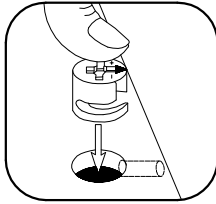
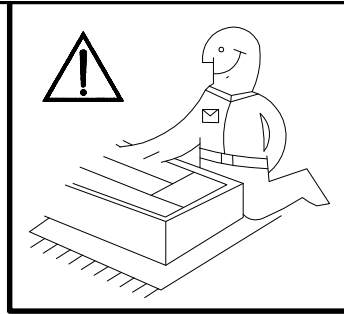


	L=450 mm		
L		K34	P5
4	1		2


6

 C5 4	 A 8	 O1 1
--	---	--

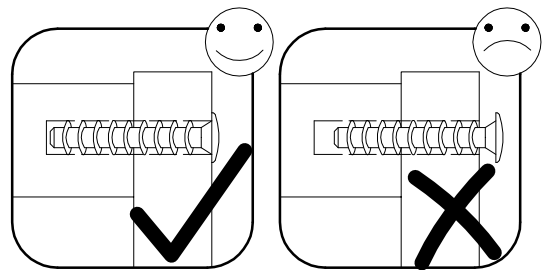
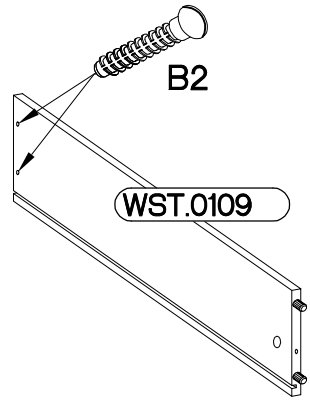
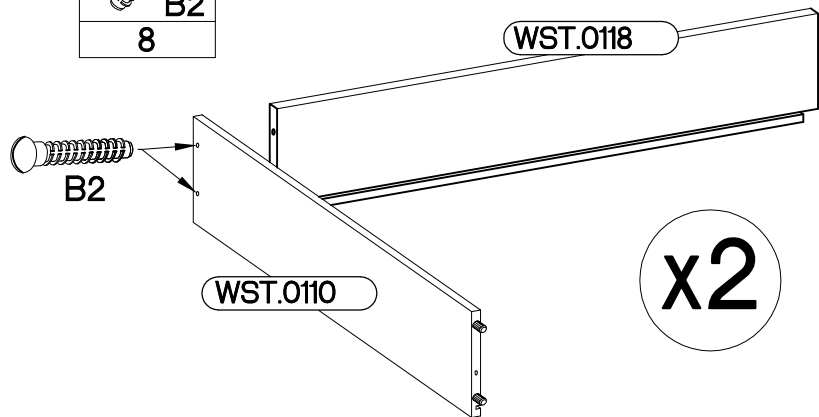
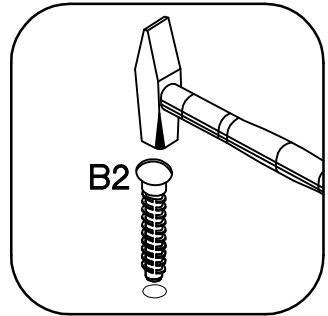
x2




7

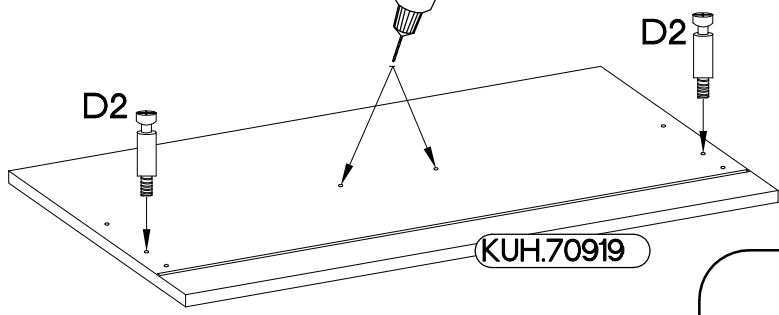
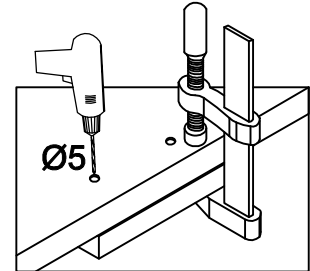
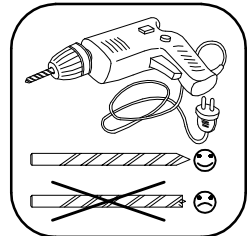
 B2 8

x2

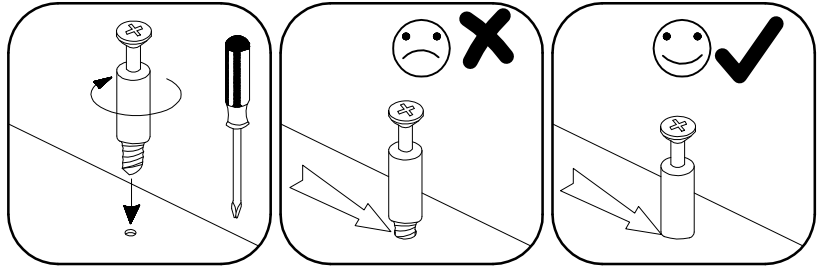


8

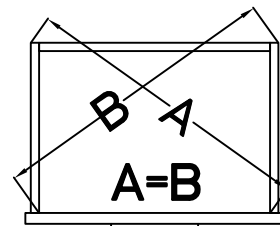
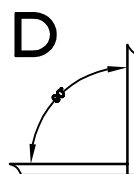
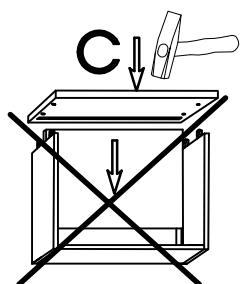
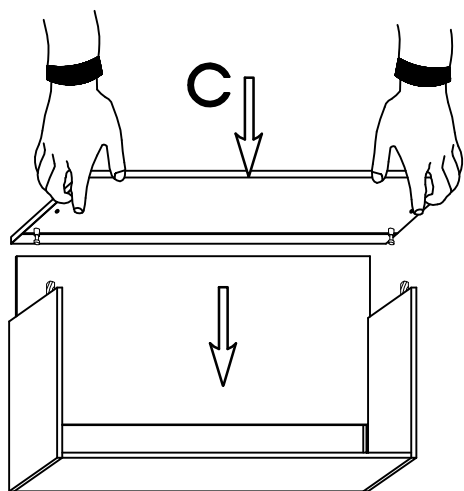
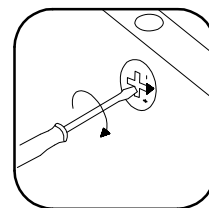
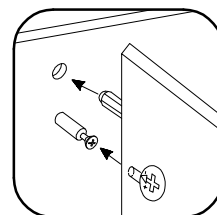
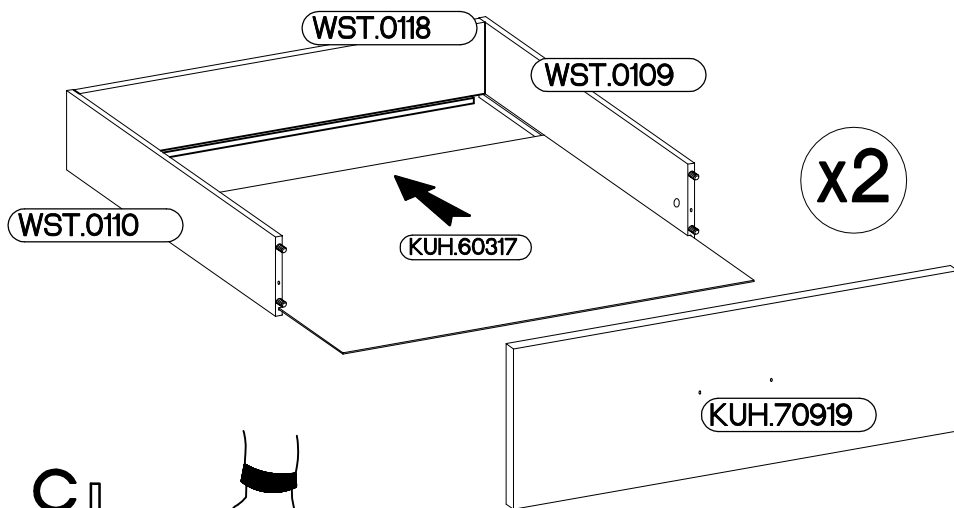
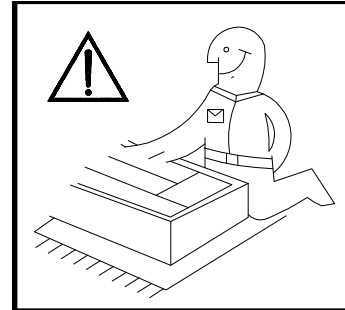
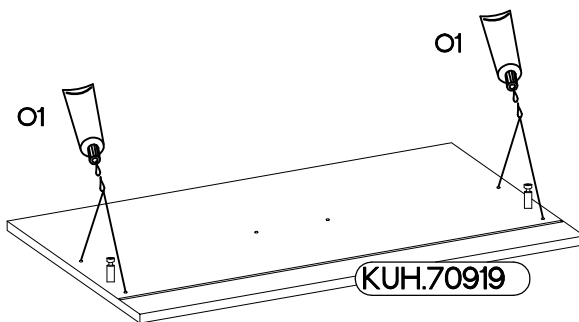
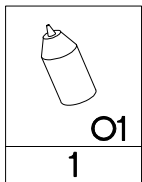
 D2 4



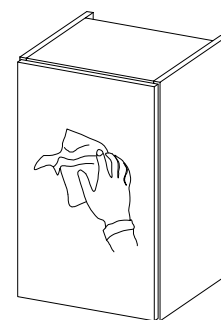
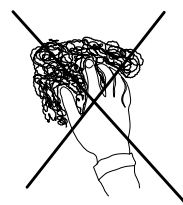
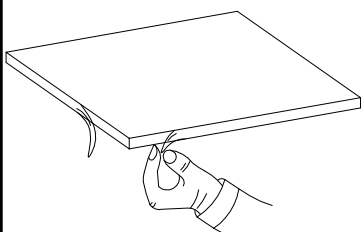
x2



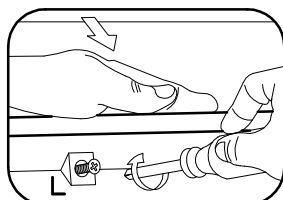
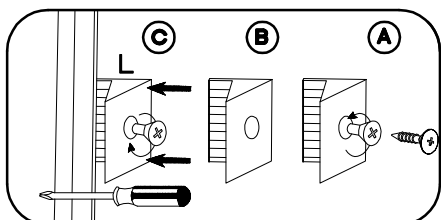
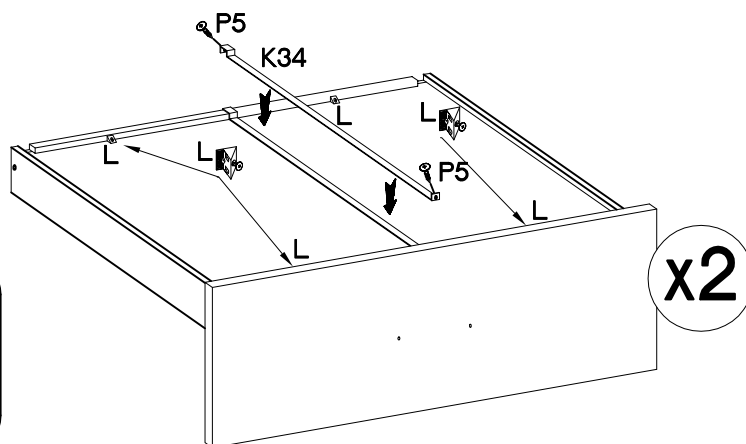
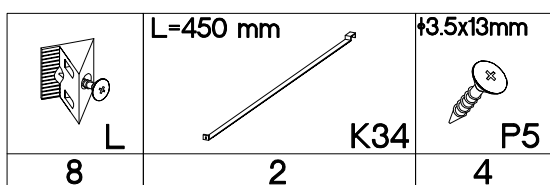
9

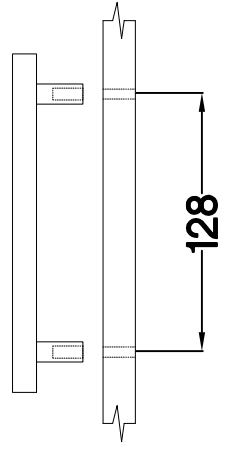
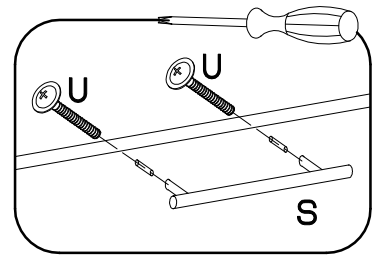
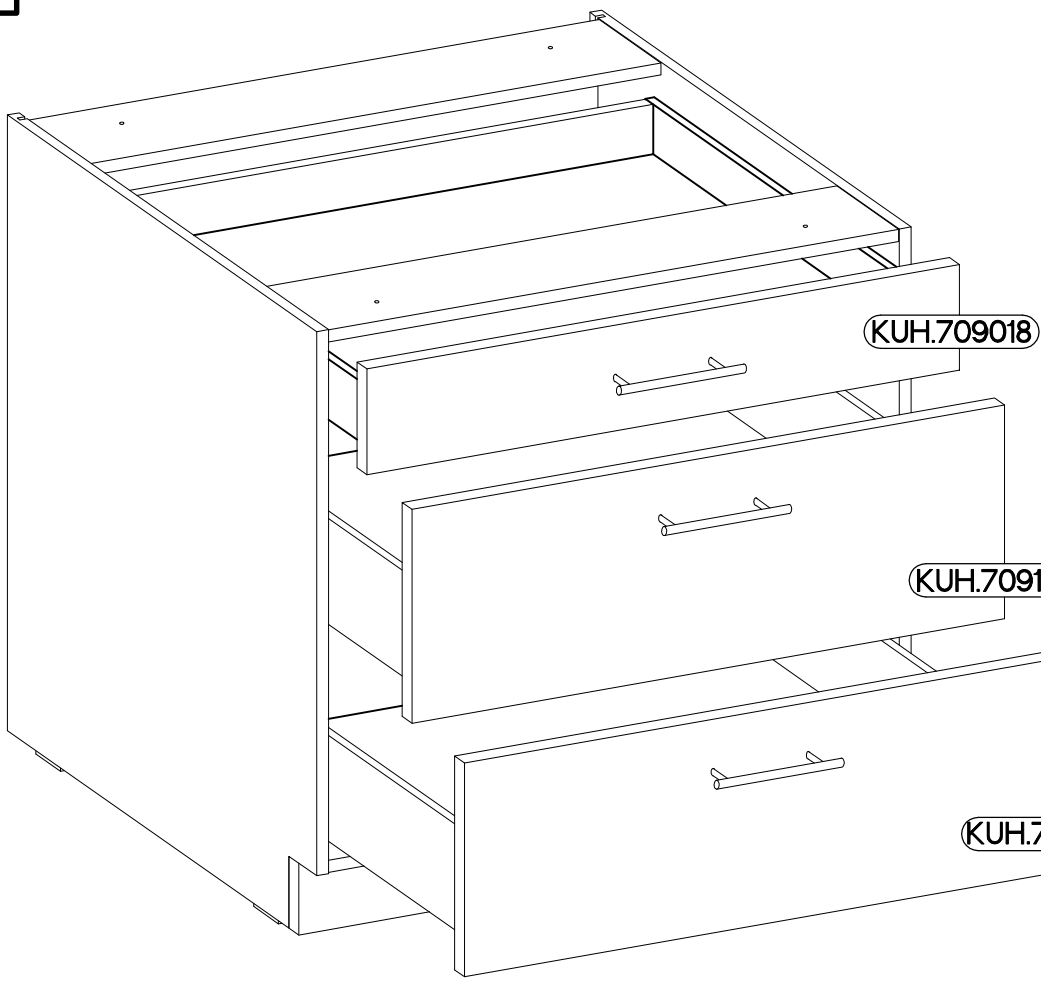


VARIANT HIGH GLOSS

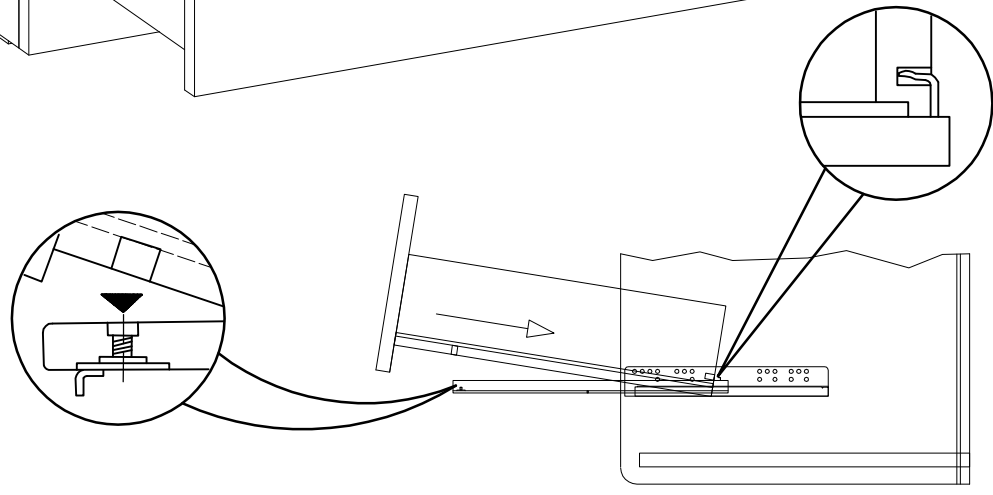


10

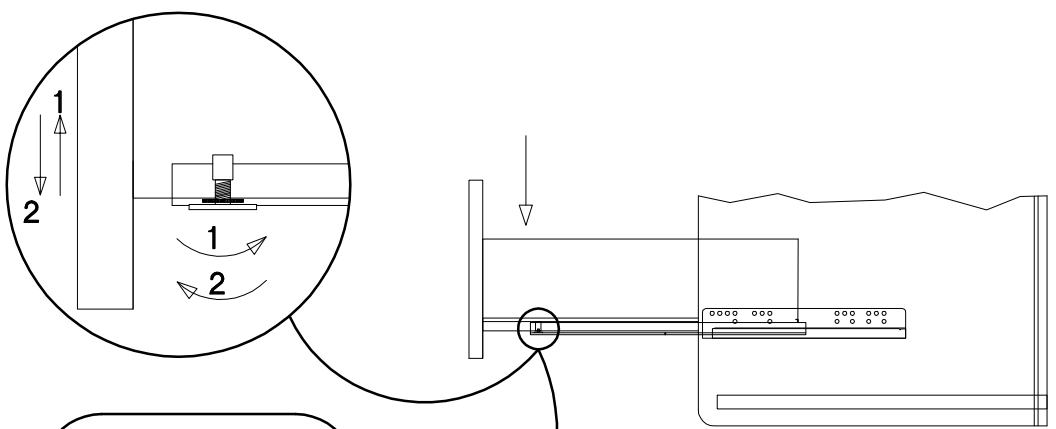




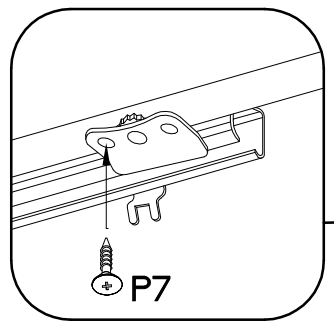
1.






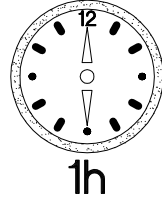
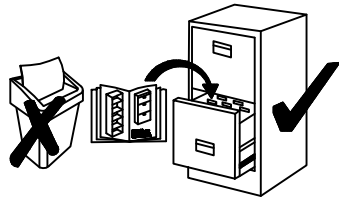
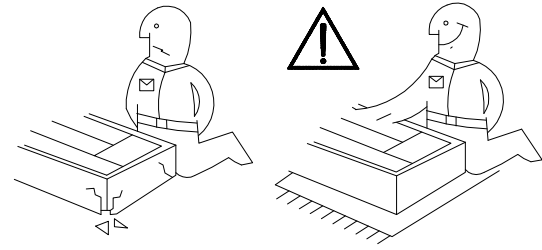
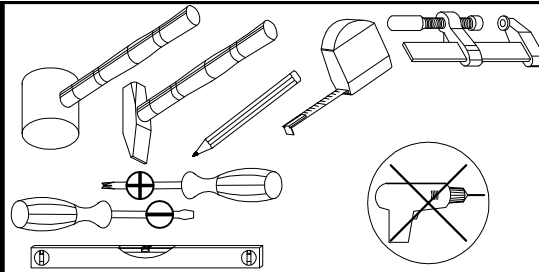
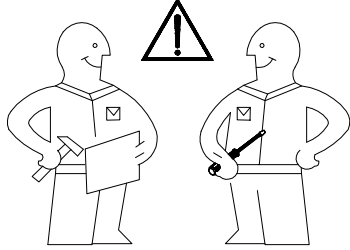
2.



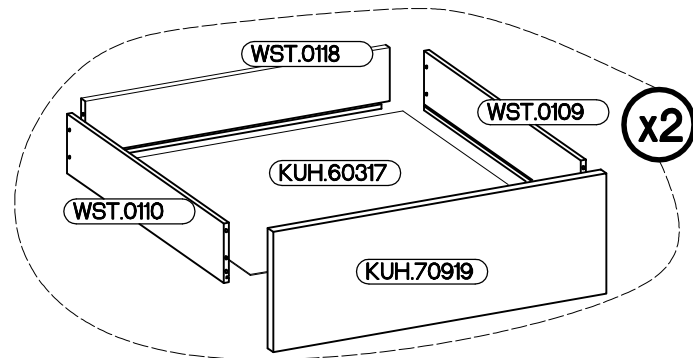
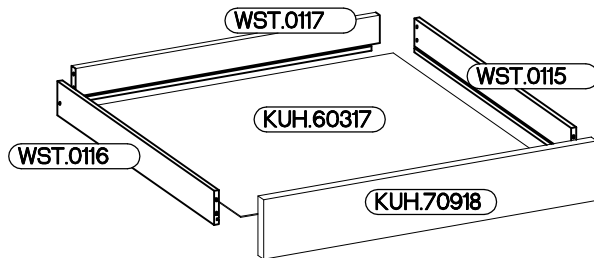
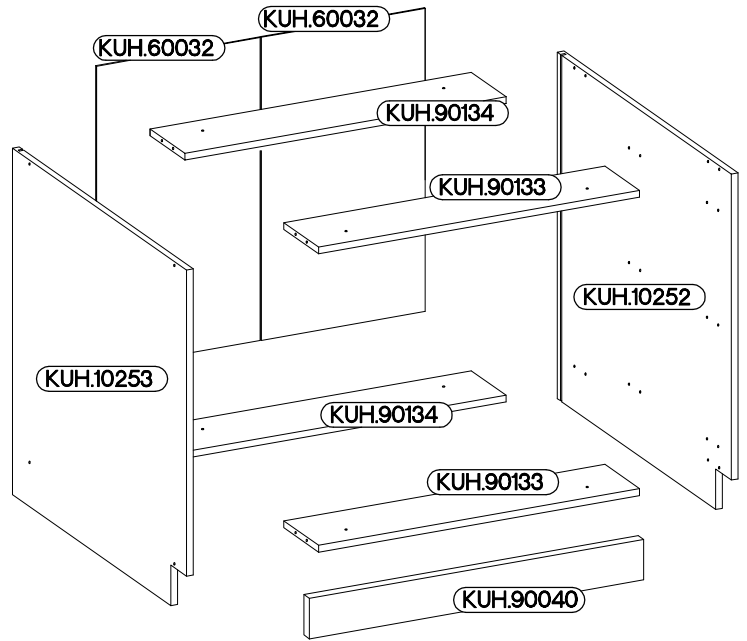
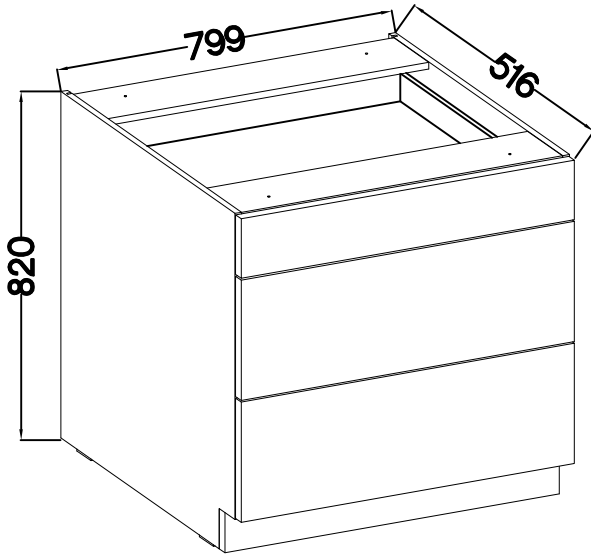
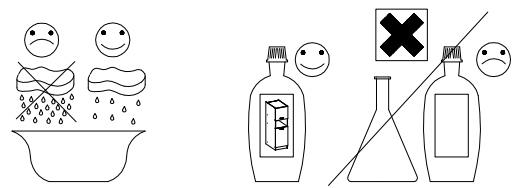
3.



M4x22mm	L=128mm	φ3.0x20mm
		
U 6	S 3	P7 6



80 D 3S BB -
QUADRO

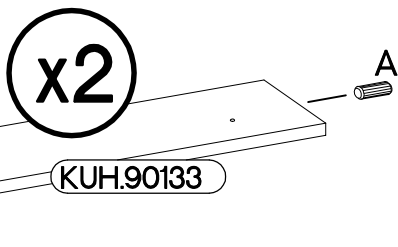
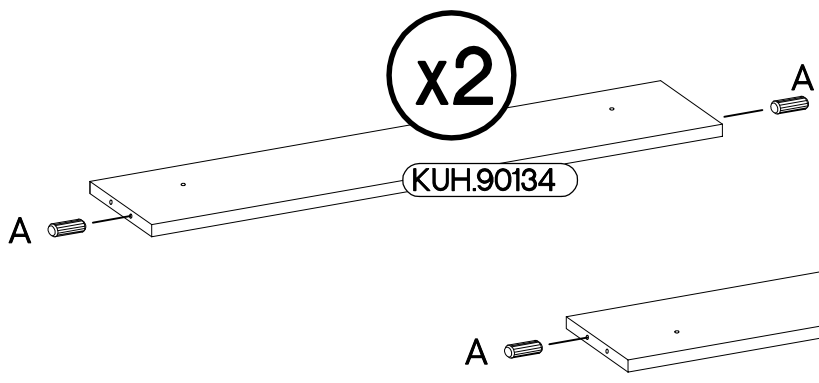
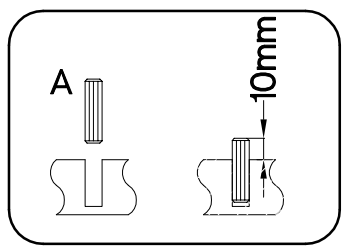
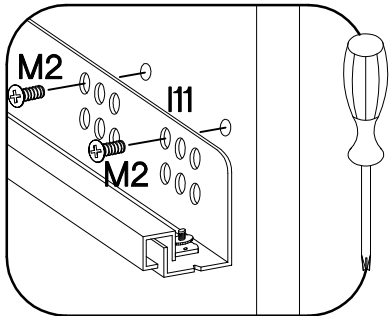
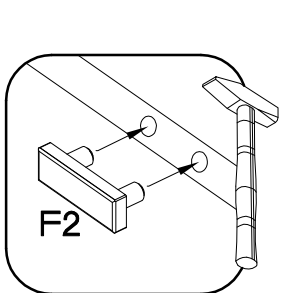
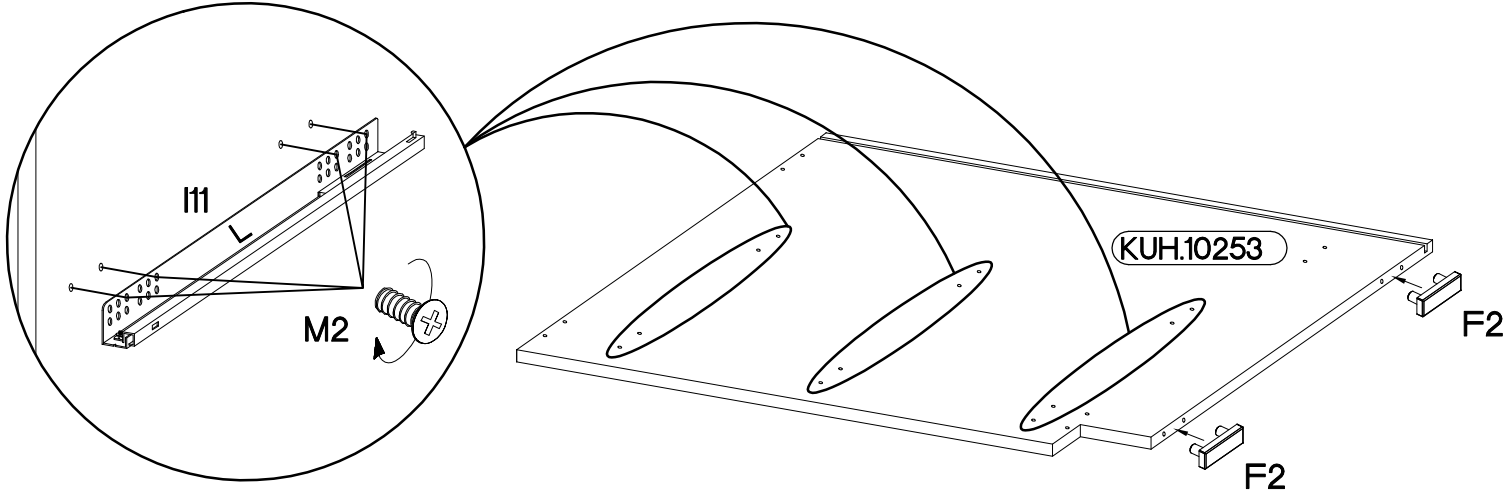
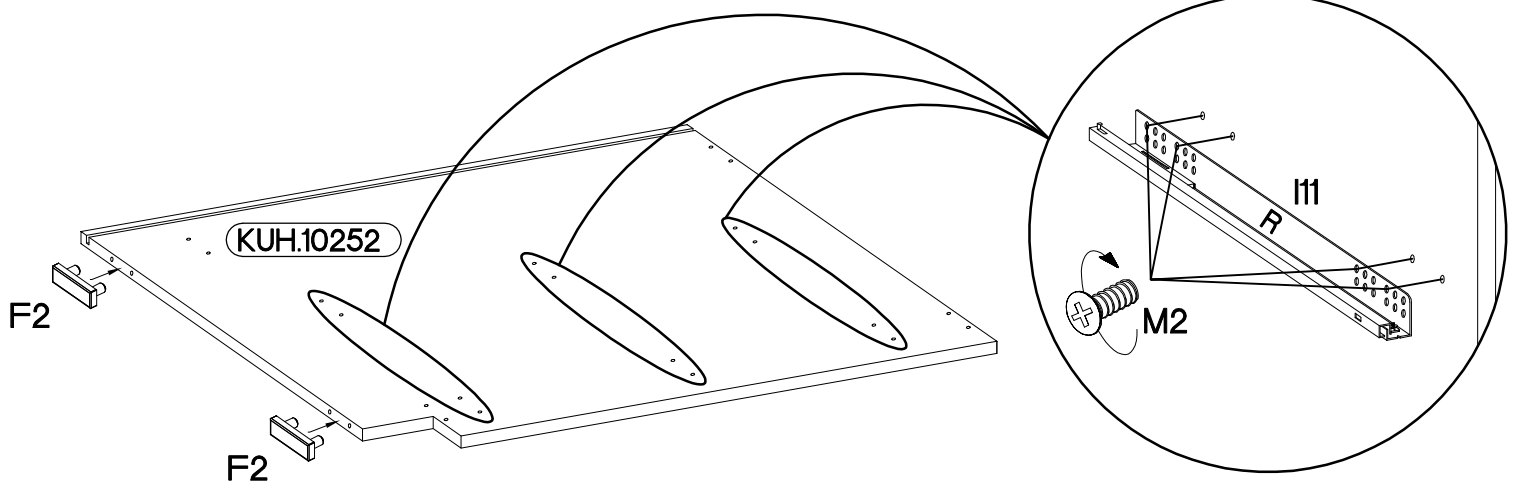
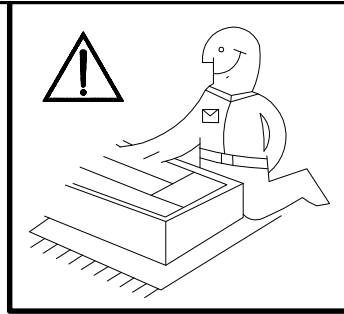


<p>8x30mm</p> <p>A</p>	<p>6,4 x 50mm</p> <p>B</p>				
20	8				
<p>6x42mm</p> <p>B2</p>	<p>12/10mm</p> <p>C5</p>	<p>L=20mm</p> <p>D2</p>	<p>E1</p>	<p>E9</p>	
10	6	6	8	2	
<p>L=450mm</p> <p>L</p>	<p>L=450mm</p> <p>R</p>	<p>6.5x48x16</p> <p>F2</p>	<p>L=450mm</p> <p>K34</p>	<p>L1=680mm</p> <p>L</p>	<p>L1=680mm</p> <p>L1</p>
3	3	4	3	12	1
<p>6.3x13mm</p> <p>M2</p>	<p>O</p>	<p>O1</p>	<p>4.0x45mm</p> <p>P4</p>	<p>3.5x13mm</p> <p>P5</p>	<p>3.0x20mm</p> <p>P7</p>
24	1	1	2	6	4

ISM-KUH-01630

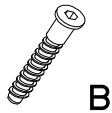
1

6.5x48x16 F2 4	±8x30mm A 8	L L=450mm 3	[CD] I11 R 111	+6.3x13mm M2 24
----------------------	-------------------	-------------------	----------------------	-----------------------



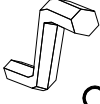
2

6,4 x 50mm



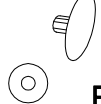
B

4



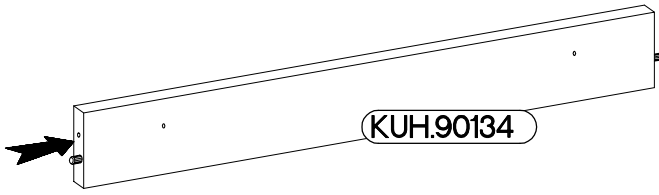
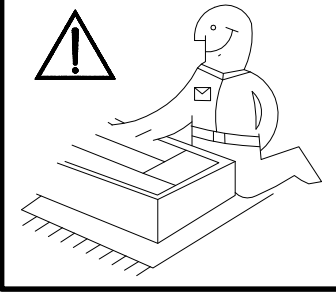
O

1

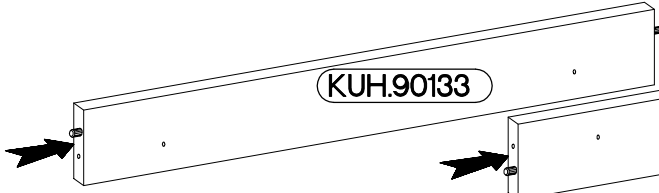


E1

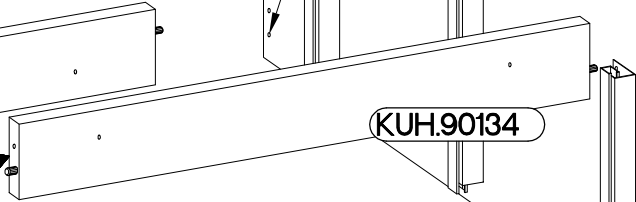
4



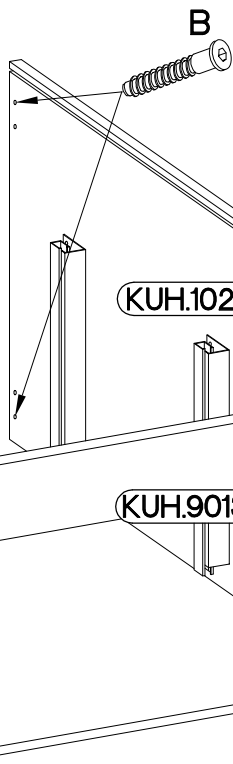
KUH.90134



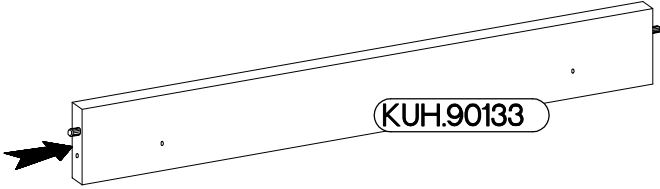
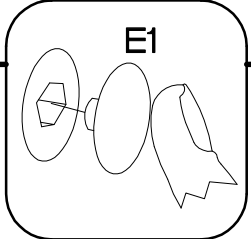
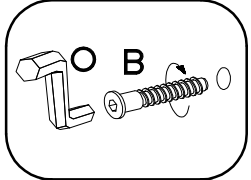
KUH.90133



KUH.90134

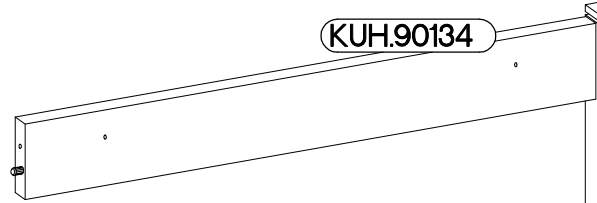


KUH.10253

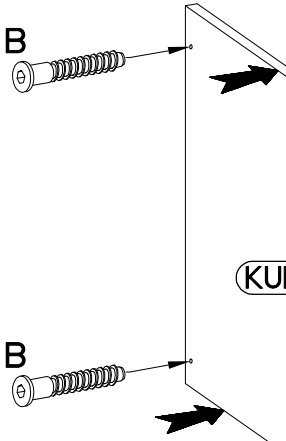


KUH.90133

3

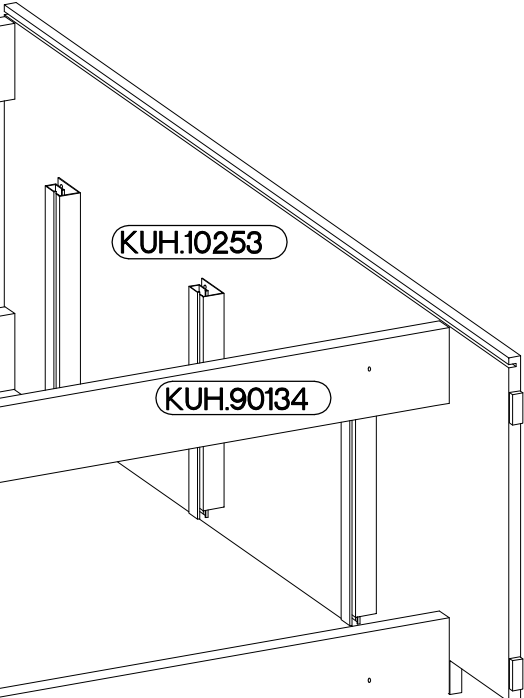


KUH.90134



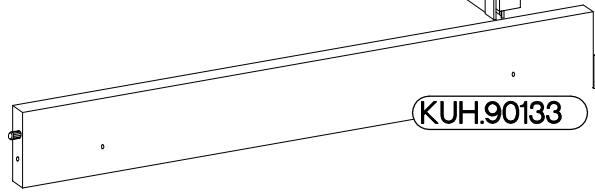
KUH.10252

KUH.90133



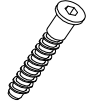
KUH.10253

KUH.90134



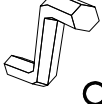
KUH.90133

6,4 x 50mm



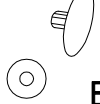
B

4



O

1

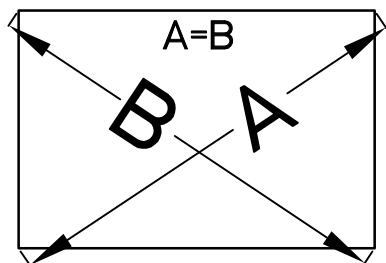
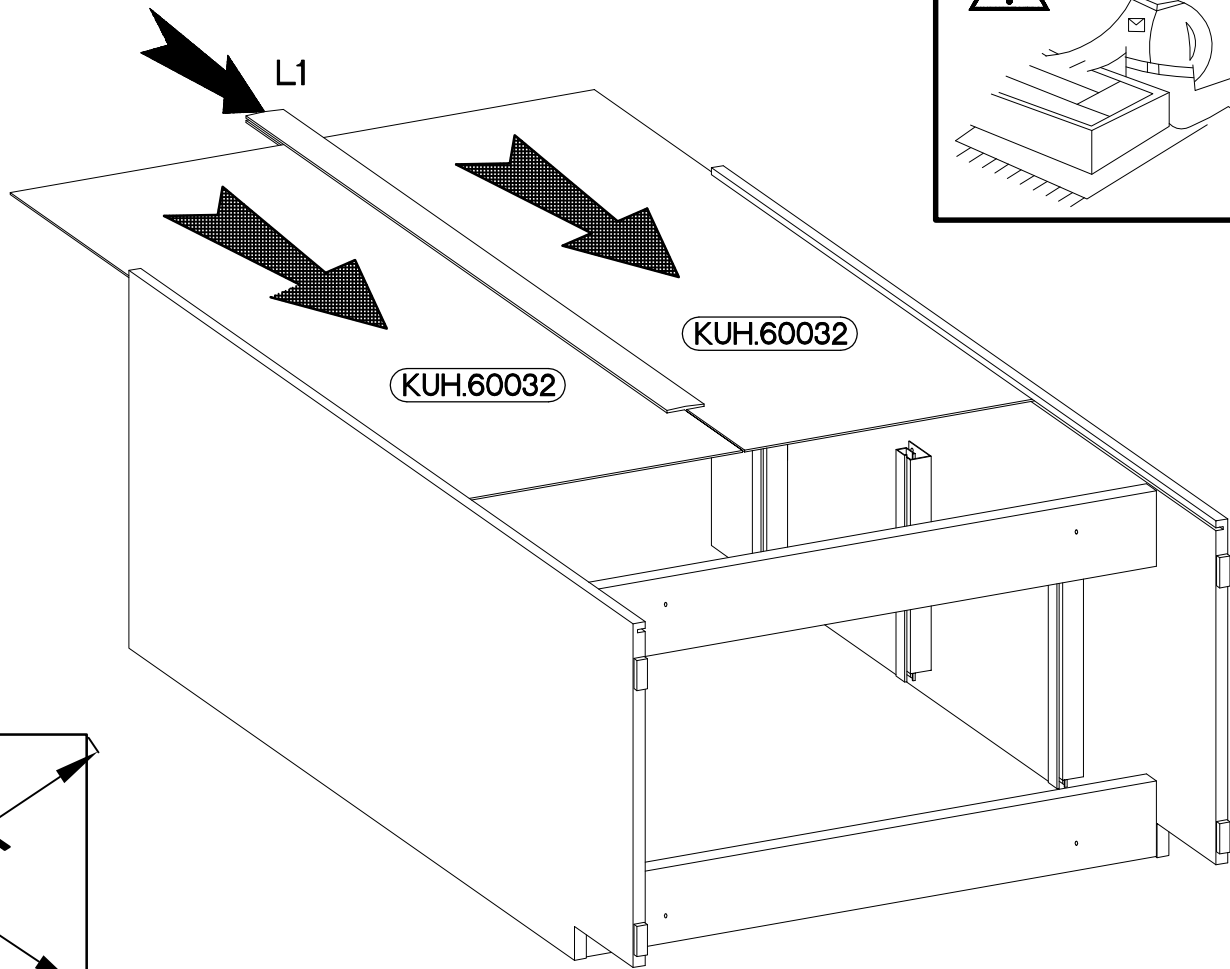
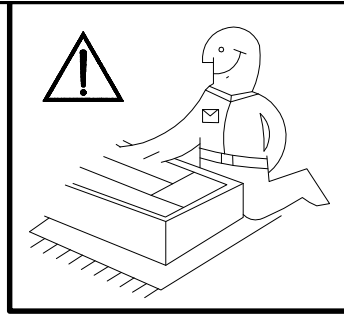
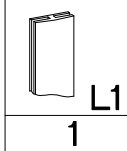


E1

4

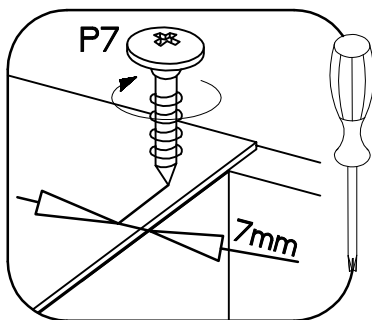
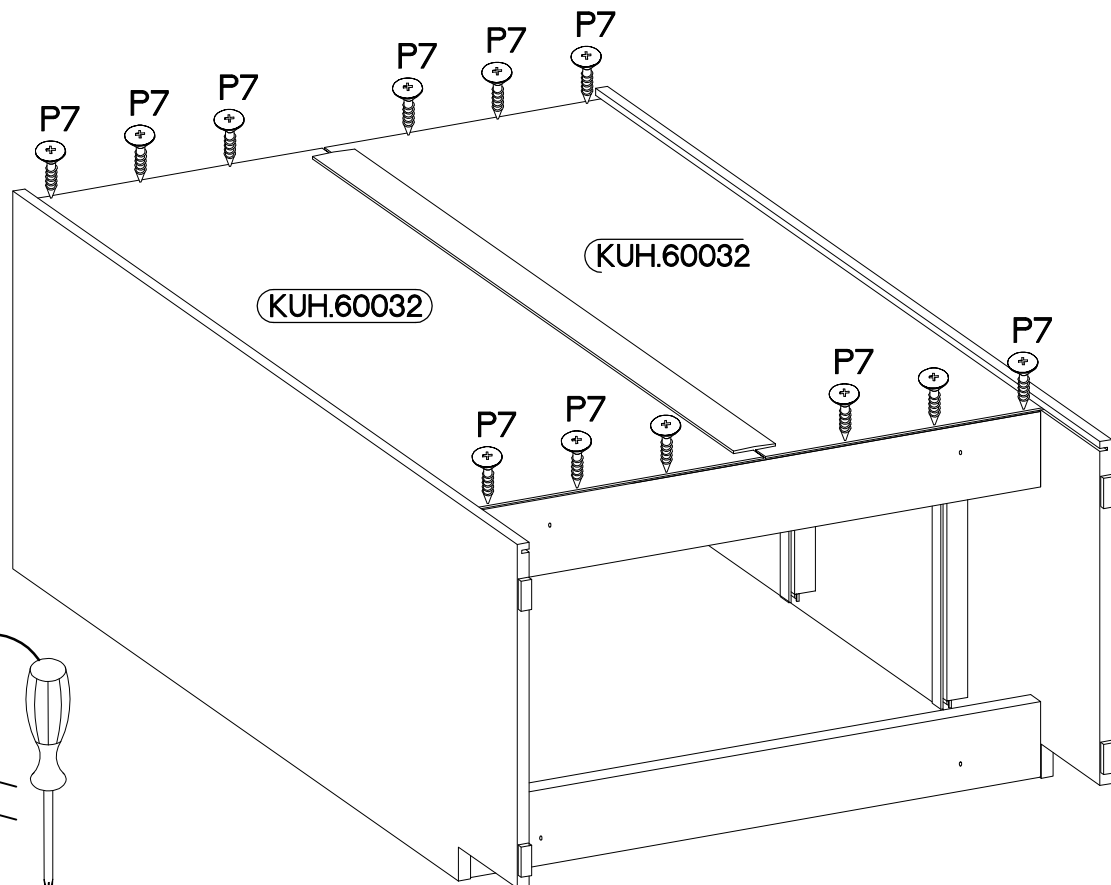
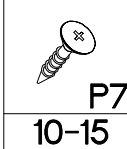
4

L1=680mm



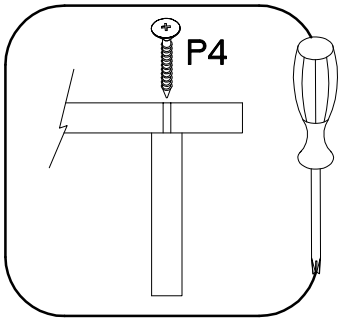
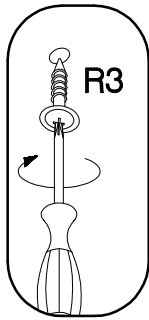
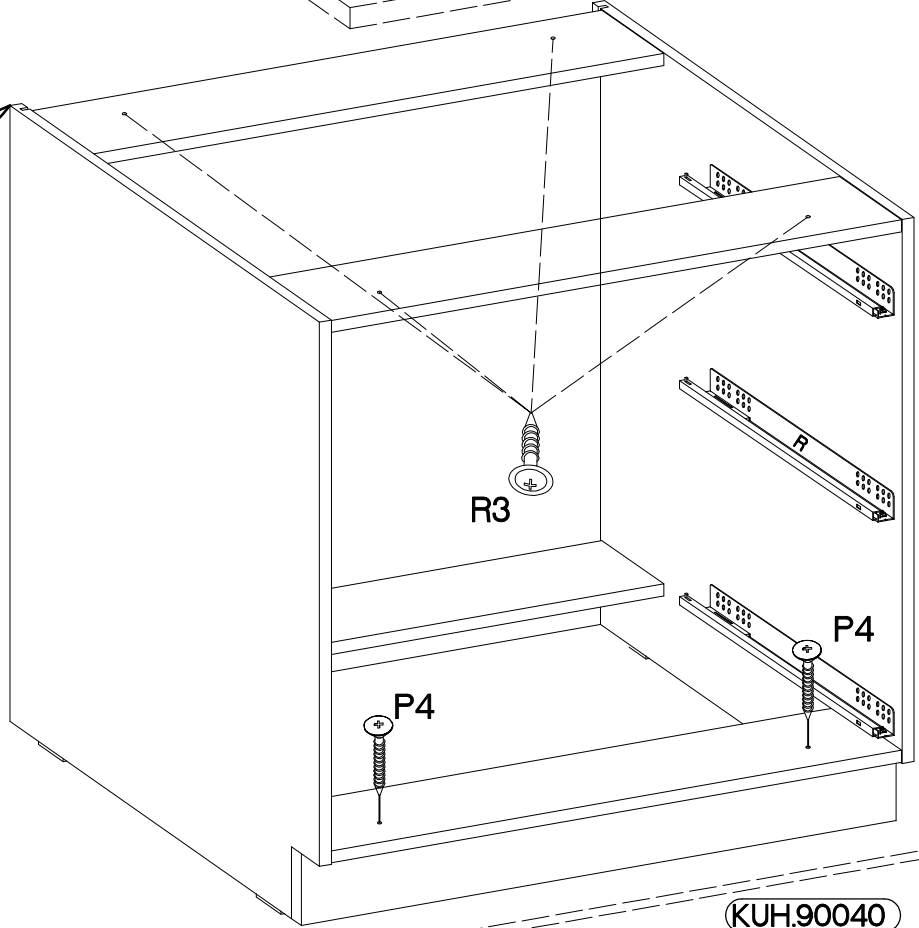
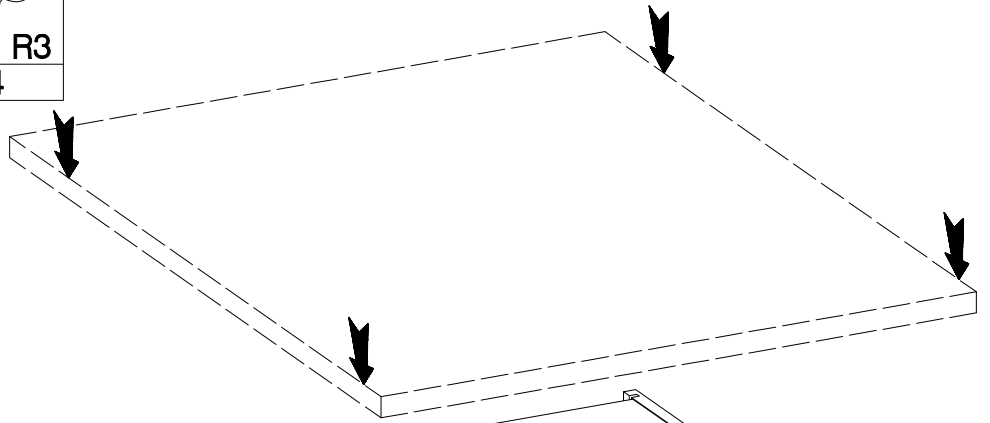
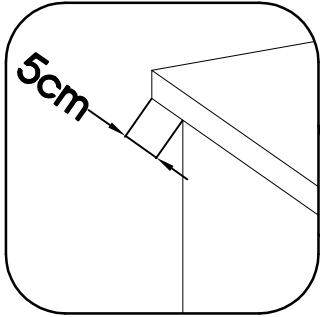
5

φ3.0x20mm



6

4.0x45mm P4	E9	4.0x35mm R3
2	2	4



7

