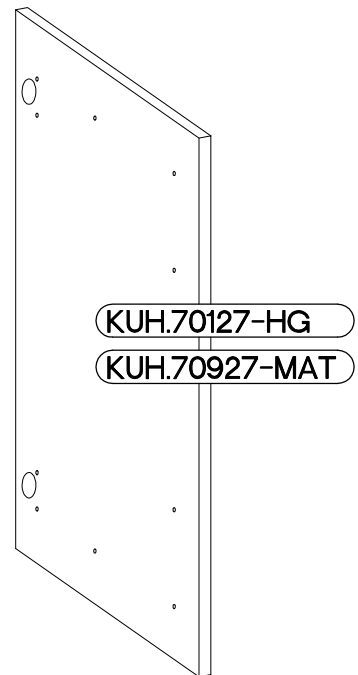
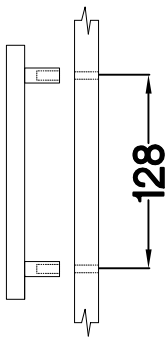
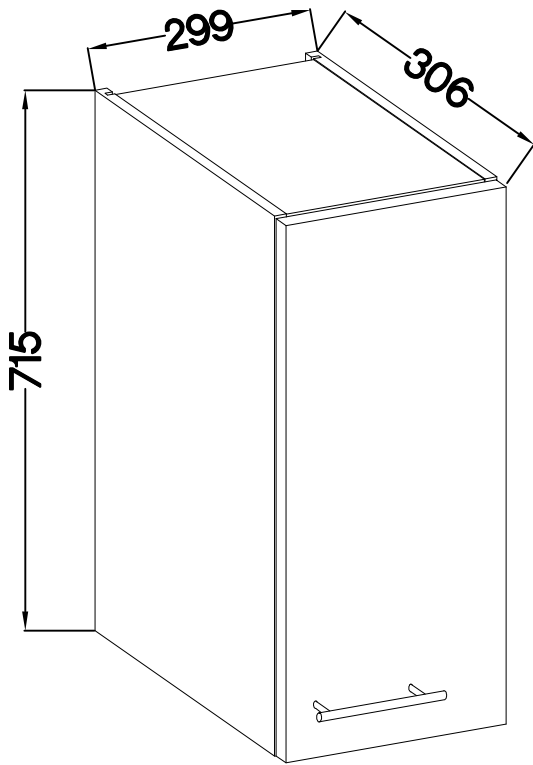
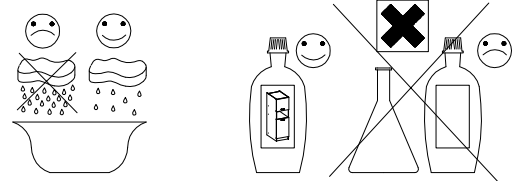

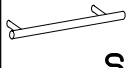


30 G-72 1F
FRONT



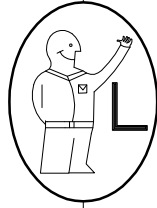
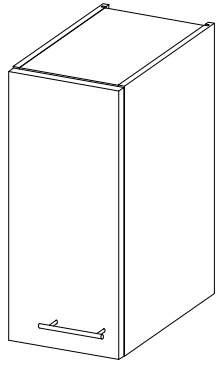
M4x22mm	L=128mm
	
U	S
2	1

ISM-KUH-01634

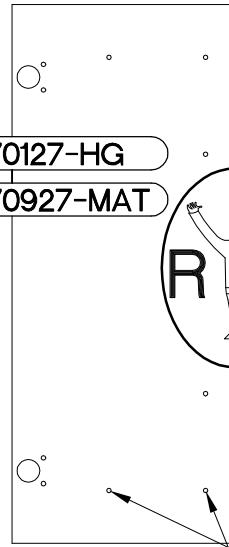
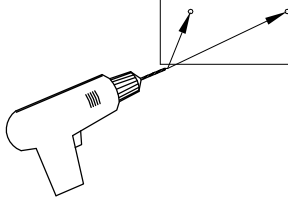
1

LEFT

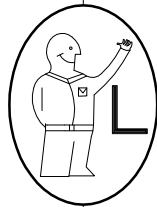
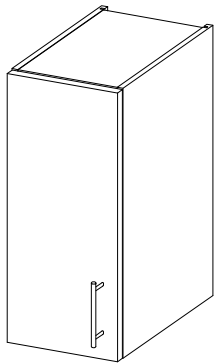
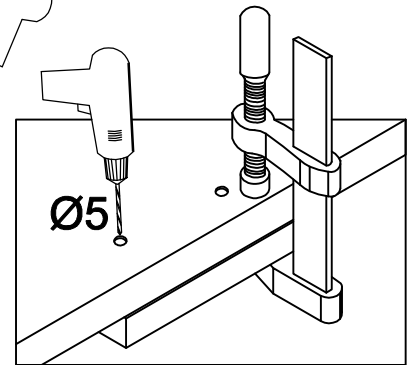
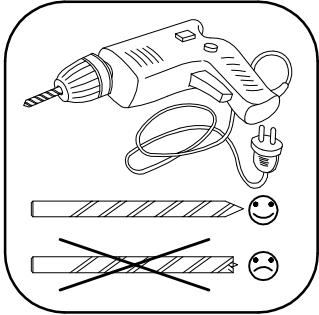
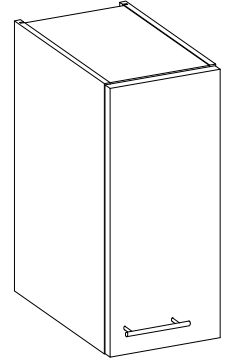
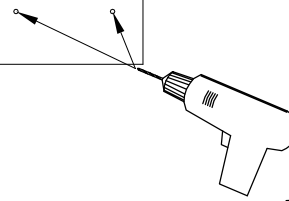
RIGHT



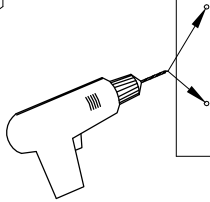
KUH.70127-HG
KUH.70927-MAT



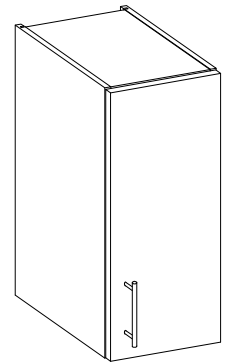
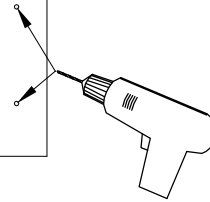
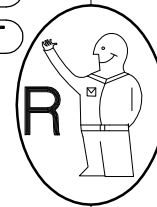
KUH.70127-HG
KUH.70927-MAT



KUH.70127-HG
KUH.70927-MAT

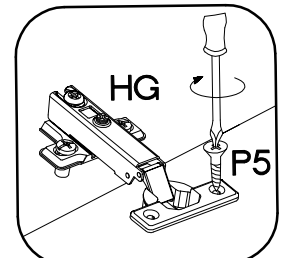
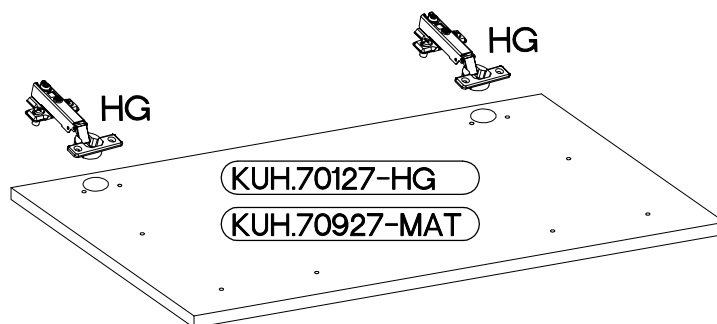


KUH.70127-HG
KUH.70927-MAT


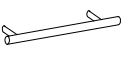


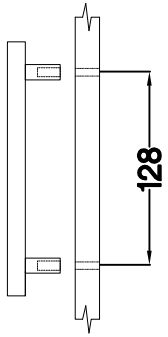
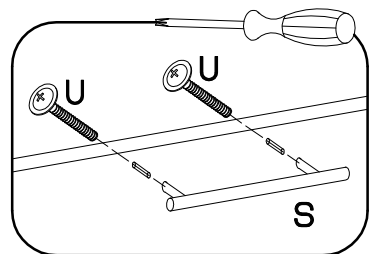
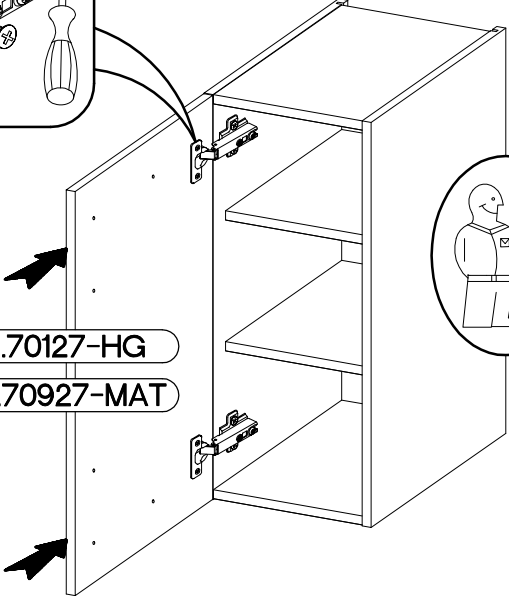
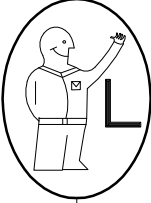
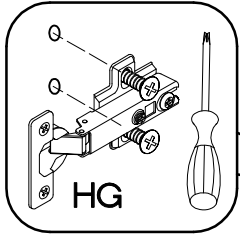
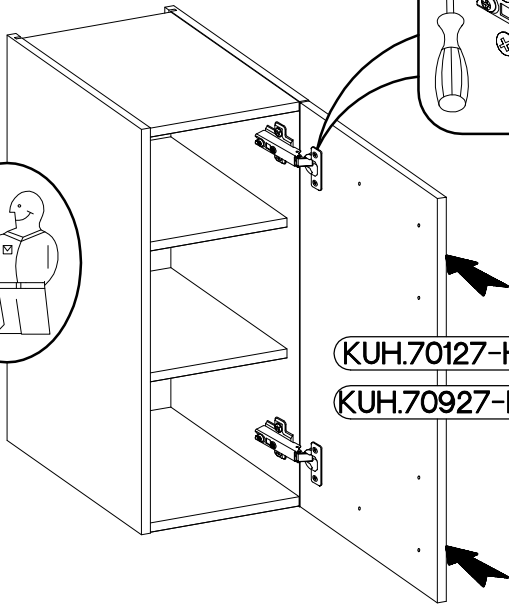
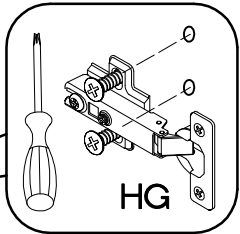
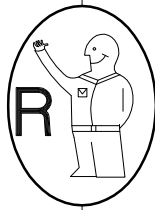
2

+35/0mm	+3.5x13mm
[CD] HG	P5
2	4

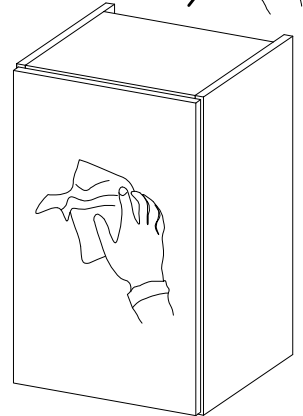
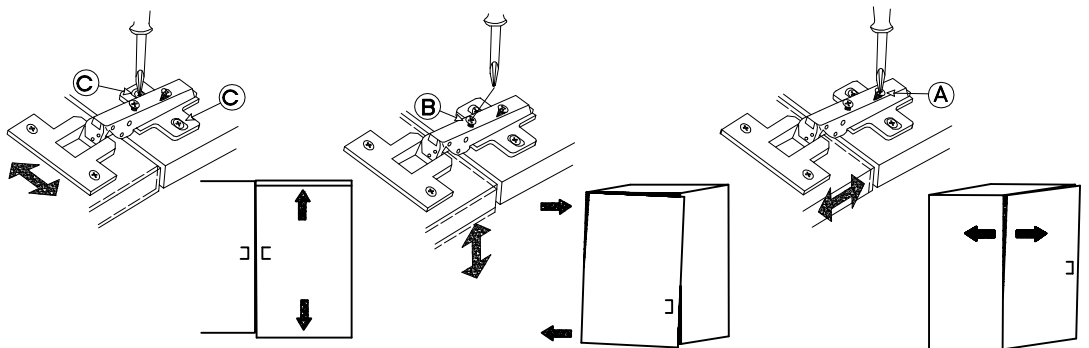
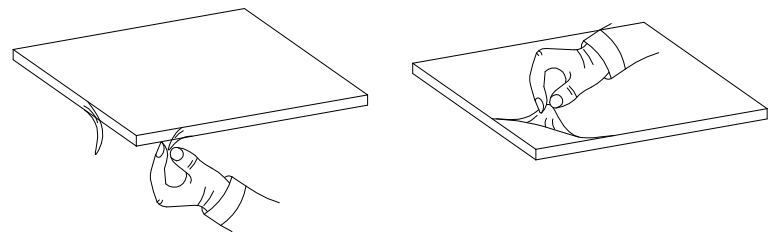


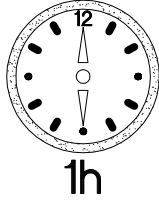
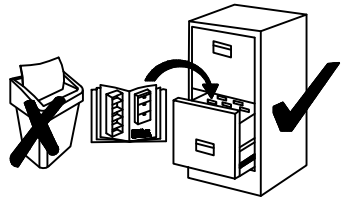
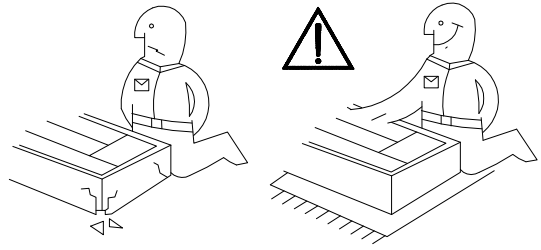
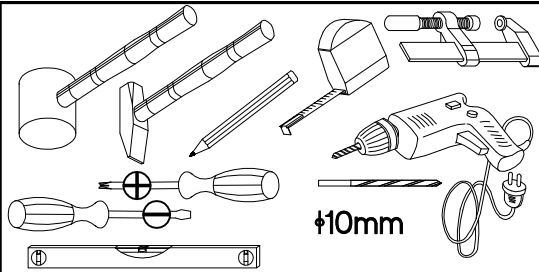
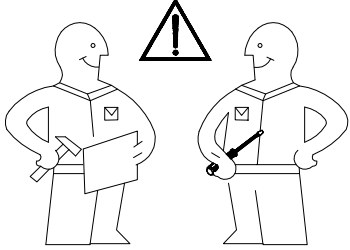
3

M4x22mm  U 2	L=128mm  S 1
---	---

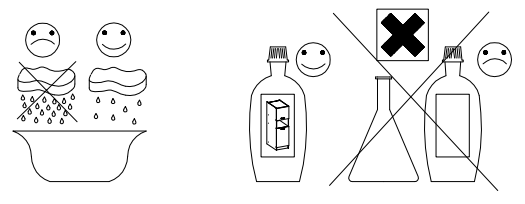


VARIANT HIGH GLOSS

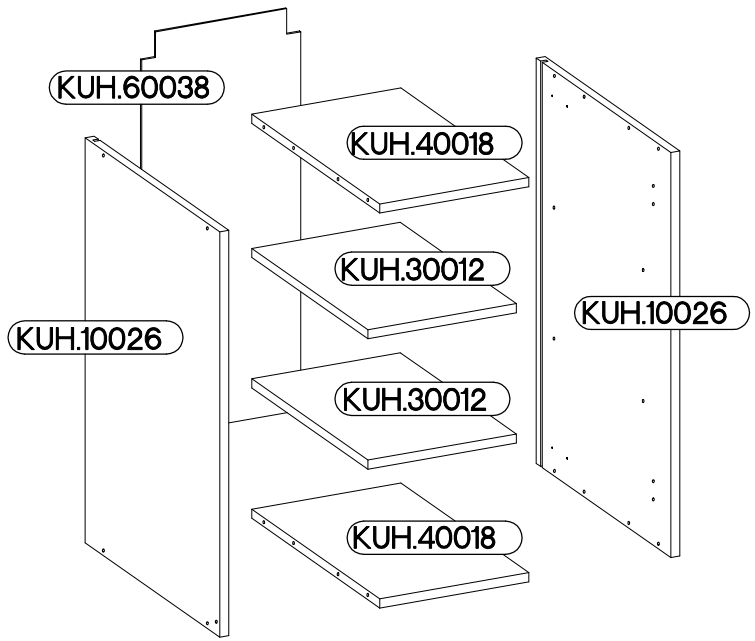
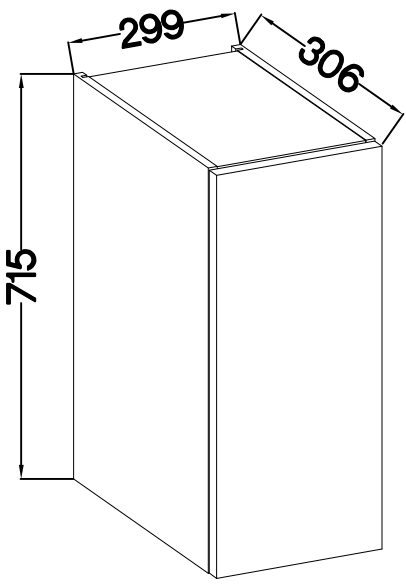




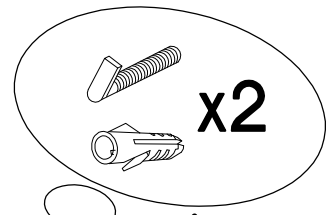
30 G-72 1F



max. 5kg
 KUH.30012
 KUH.40018

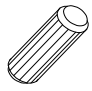

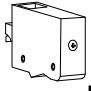


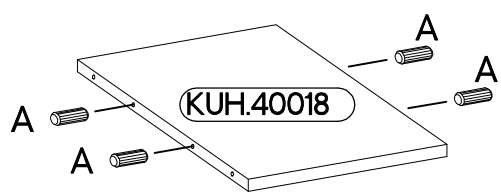
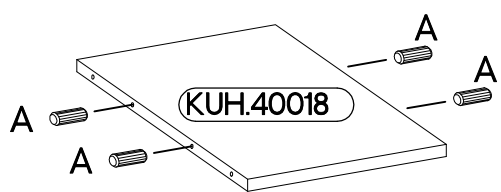
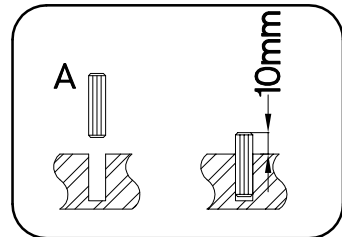
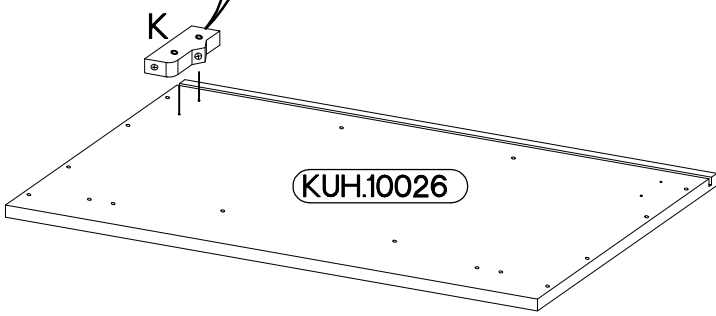
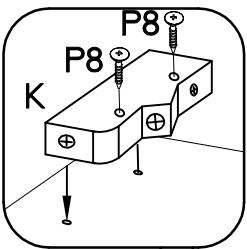
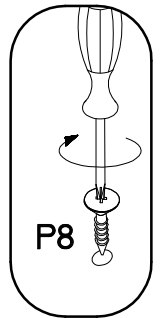
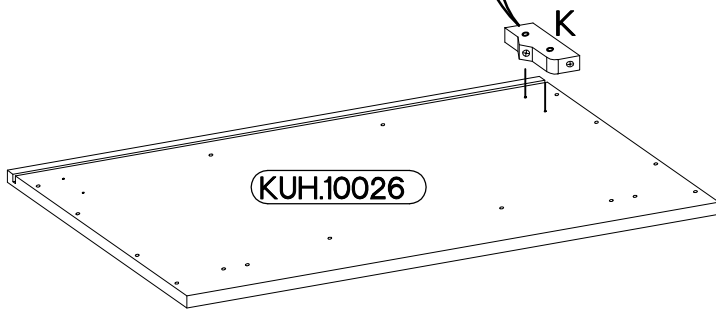
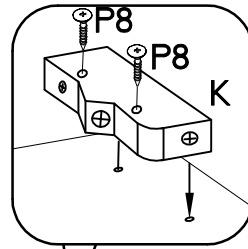
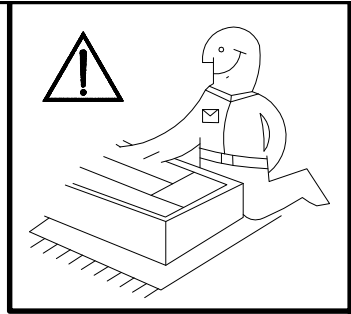
 ±8x30mm A 8	 6,4 x 50mm B 8	 E1 8	 [CD] HG 2	 ±3.5x13mm P5 4	 ±3.0x20mm P7 8-10	 ±4.0x30mm P8 4
 J 8	 K 2	 O 1				



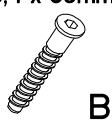
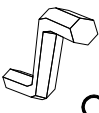
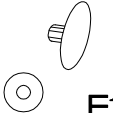
ISM-KUH-01610

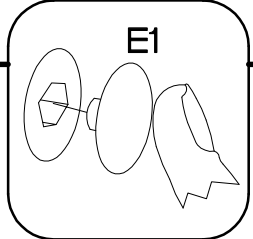
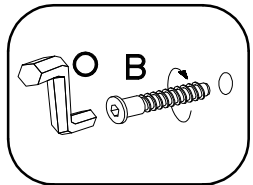
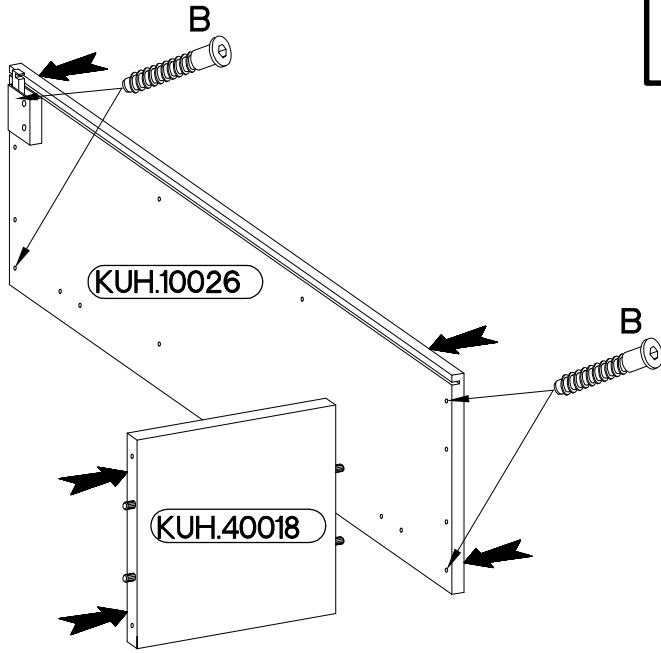
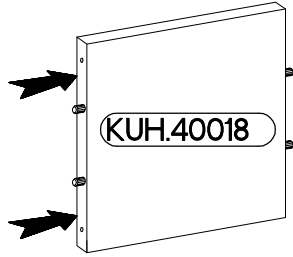
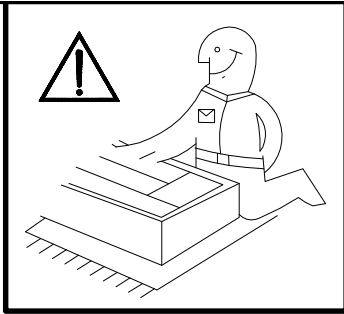
1

 ‡8x30mm A	 ‡4.0x30mm P8	 K
8	4	2

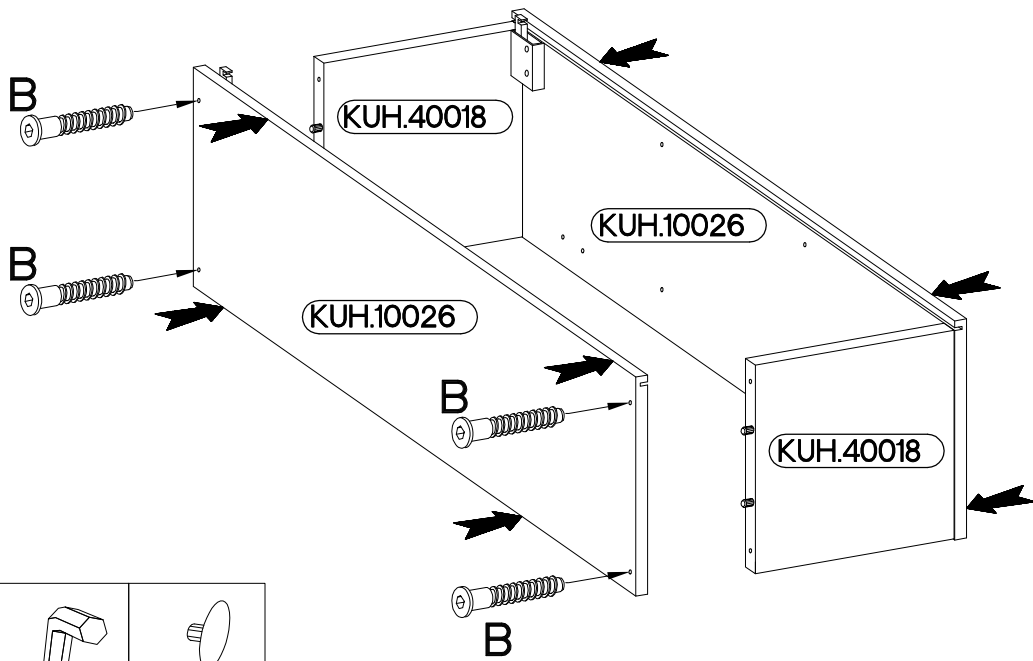


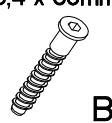
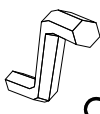
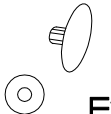
2

6,4 x 50mm		
		
B	O	E1
4	1	4

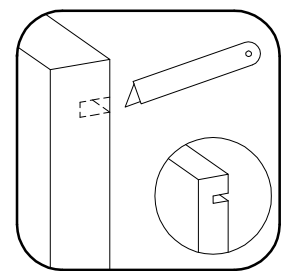
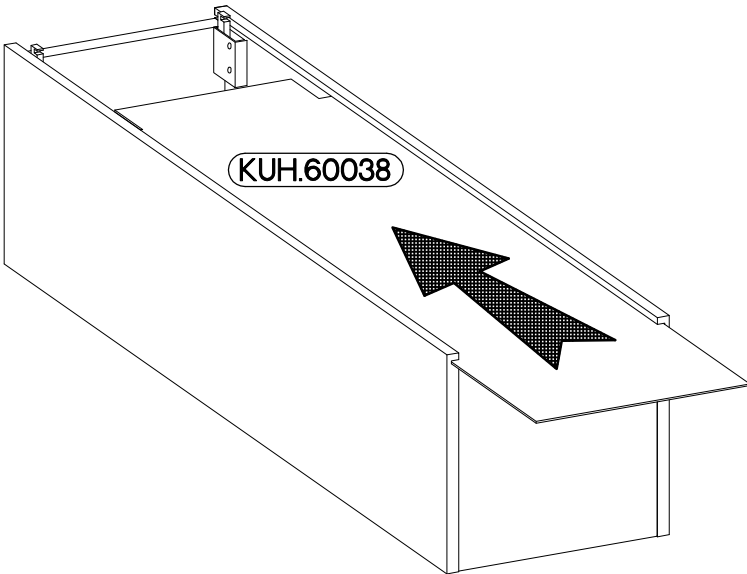
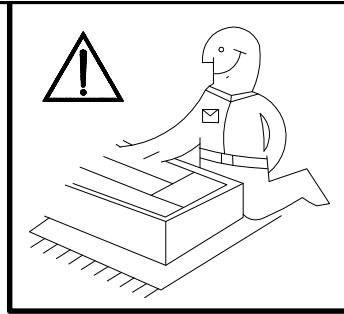


3

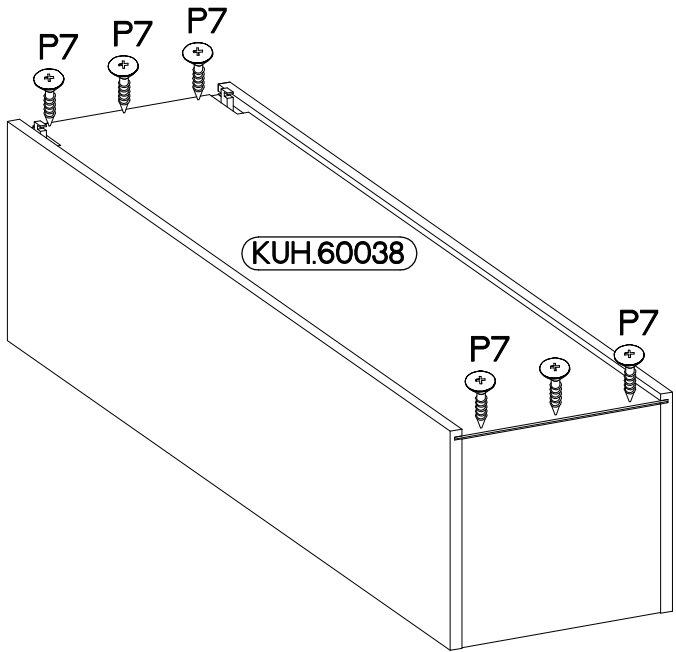
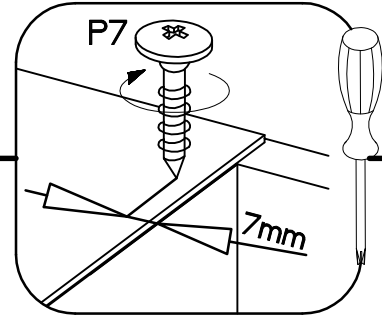
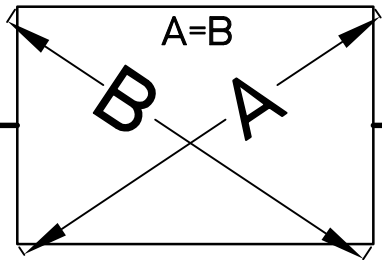
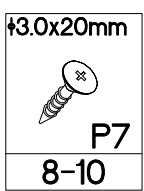


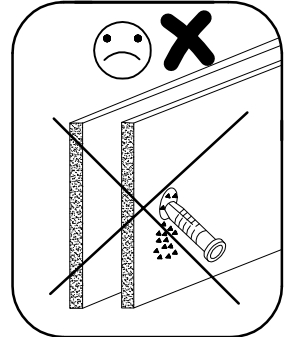
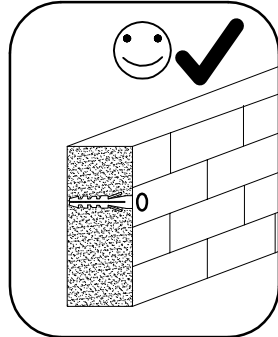
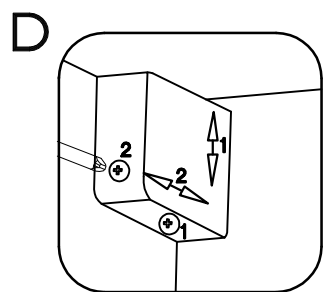
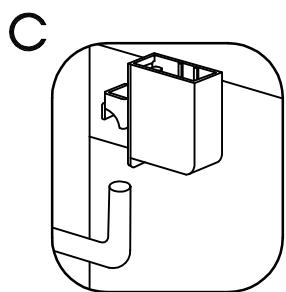
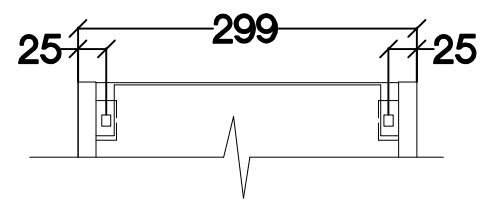
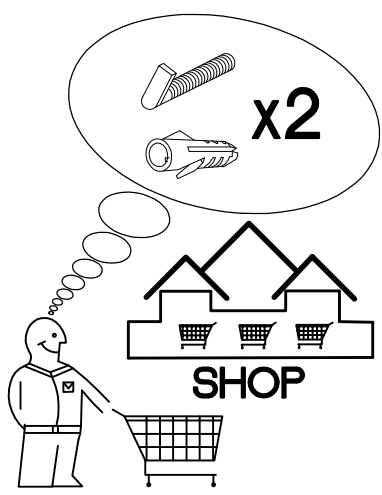
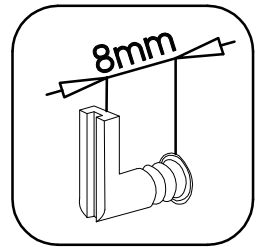
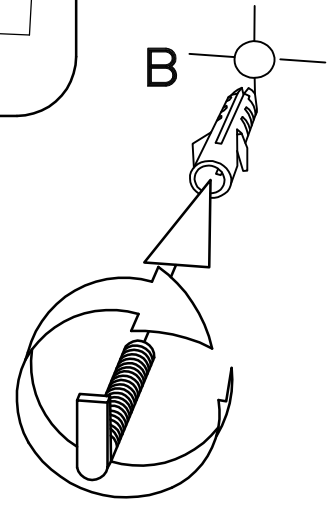
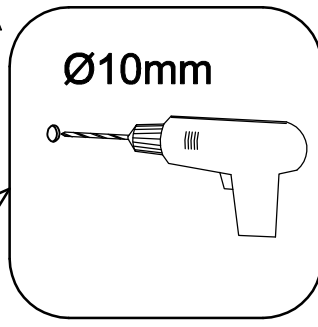
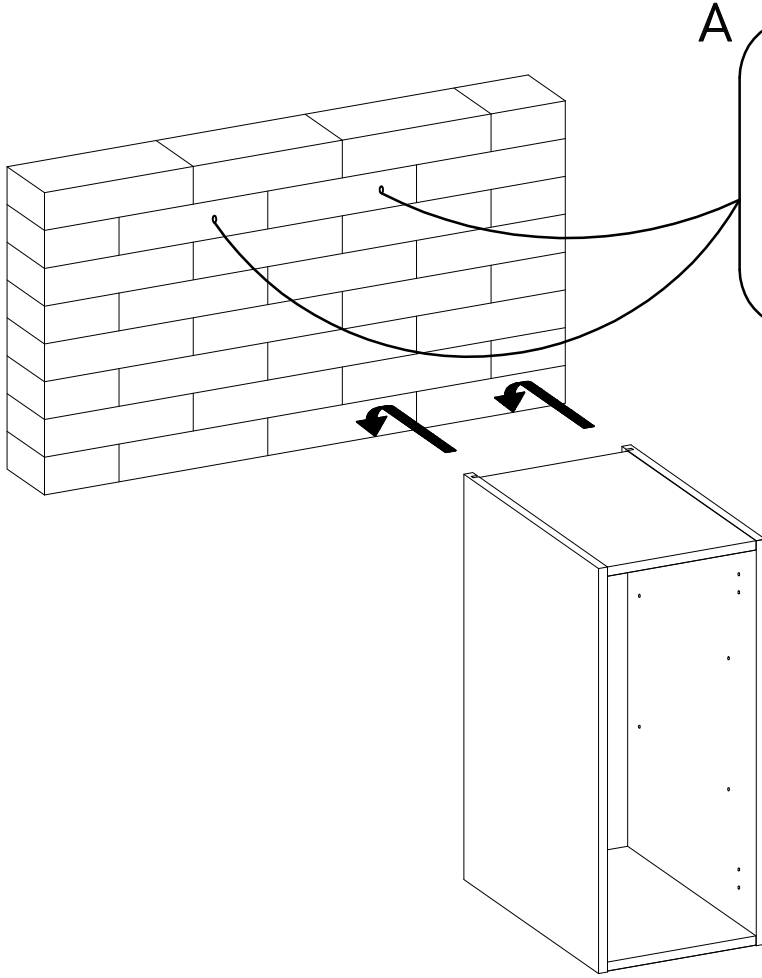
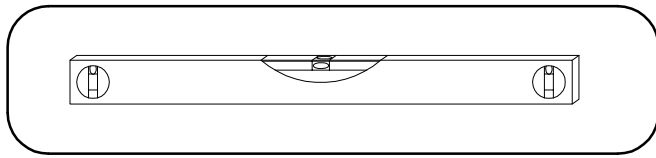
6,4 x 50mm		
		
B	O	E1
4	1	4

4



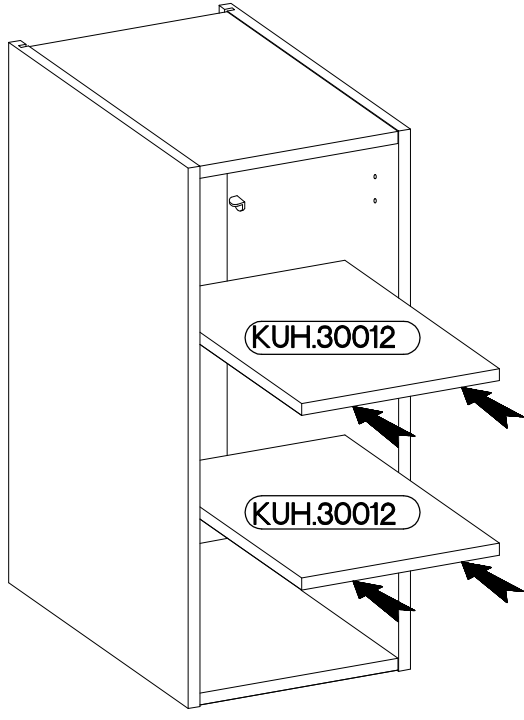
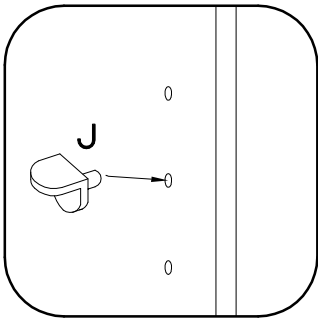
5





7

±5/19mm
J
12



8

FRONT

